



# Fixed Intensity R20 & R21 LED Lamps

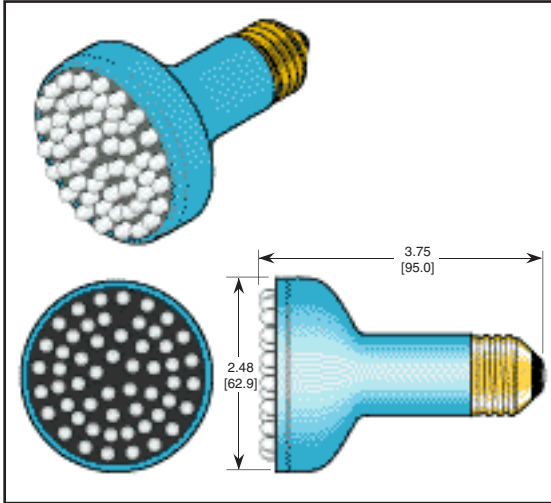
## Features

- Fixed Full Intensity
- Built-in Current Limiting Resistor for Direct Applications for 12 to 240V AC or DC
- Choice of Narrow (12°), Standard (30°), Medium (50°) or Wide Angle (120°) Illumination
- Three-Year Lamp Warranty
- Long Life / 100,000+ Hours
- Choice of 10 Sunlight Visible Colors Plus Infrareds
- Very Low Power Consumption
- Solid-State, High Shock/Vibration Resistant
- Direct Mount in Industry Standard Sockets Without Modification

## Applications

- General Low Level Lighting Area Illumination
- High Intensity Tasklights & Spotlights
- Illuminating Hallways & Storage Areas
- Large Multi-Color Signage
- Architectural & Decor Lighting
- Security Area Lighting
- Landscape Lighting

## Vertical LED Tasklight



## Part Selection

Part Number	LED Color	No. of LEDs	Input Voltage	Power Watts (typ)	Intensity per LED $I_v$ mcd (typ)	$\lambda_p$ (nm)	View Angle $2\theta^{1/2}$
DEC-R20-0UR-02x	UL RED	50-60	120VAC	1.70W	1250	660	12°
DEC-R20-0ER-02x	E RED	50-60	120VAC	1.70W	1250	630	12°
DEC-R20-0UO-02x	AMBER	50-60	120VAC	1.70W	1400	612	12°
DEC-R20-0UY-02x	YELLOW	50-60	120VAC	1.70W	1250	595	12°
DEC-R20-0IW-02x	INC WHITE	50-60	120VAC	2.50W	2000	4500K	12°
DEC-R20-0CW-02x	C. WHITE	50-60	120VAC	2.50W	6000	8000K	12°
DEC-R20-0UG-02x	L. GREEN	50-60	120VAC	2.50W	1000	570	12°
DEC-R20-1AG-02x	A. GREEN	50-60	120VAC	2.50W	1500	525	12°
DEC-R20-1BG-02x	B. GREEN	50-60	120VAC	2.50W	1500	505	12°
DEC-R20-1PB-02x	BLUE	50-60	120VAC	2.50W	1200	470	12°
DEC-R20-851-02x	INFRARED	60-70	120VAC	1.70W	10mW	850	12°
DEC-R20-881-02x	INFRARED	60-70	120VAC	1.70W	8mW	880	12°
DEC-R20-941-02x	INFRARED	60-70	120VAC	1.70W	7mW	940	12°

For Other Voltages, Replace 02 at End of Part Number with:  
01 - 24VDC, 03 - 12VDC, 04- 240VAC

Replace x in Part Number with Required Viewing Angle Options

N - Narrow (12°) M - Medium (50°)  
S - Standard (30°) W - Extra Wide (120°)

## Standard Viewing Angle:



Narrow Angle (N)

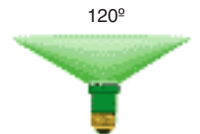
## Optional Viewing Angles:



Standard Angle (S)

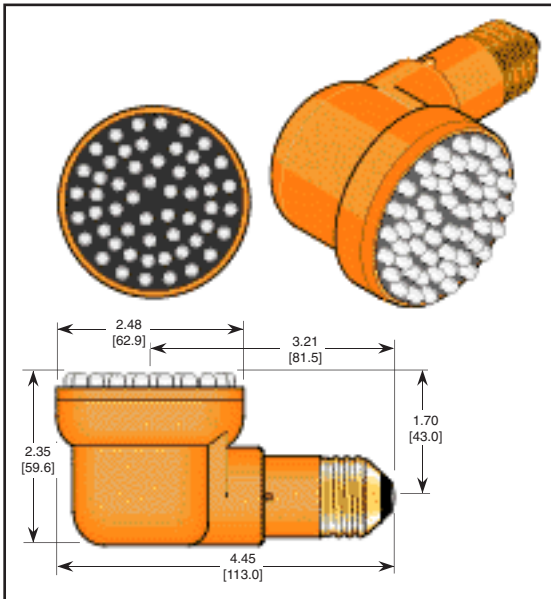


Medium Angle (M)



Extra Wide Angle (W)

## Right Angle Swivel Head LED Tasklight



## Part Selection

Part Number	LED Color	No. of LEDs	Input Voltage	Power Watts (typ)	Intensity per LED $I_v$ mcd (typ)	$\lambda_p$ (nm)	View Angle $2\theta^{1/2}$
DEC-R21-0UR-02x	UL RED	50-60	120VAC	1.70W	1250	660	12°
DEC-R21-0ER-02x	E RED	50-60	120VAC	1.70W	1250	630	12°
DEC-R21-0UO-02x	AMBER	50-60	120VAC	1.70W	1400	612	12°
DEC-R21-0UY-02x	YELLOW	50-60	120VAC	1.70W	1250	595	12°
DEC-R21-0IW-02x	INC WHITE	50-60	120VAC	2.50W	2000	4500K	12°
DEC-R21-0CW-02x	C. WHITE	50-60	120VAC	2.50W	6000	8000K	12°
DEC-R21-0UG-02x	L. GREEN	50-60	120VAC	2.50W	1000	570	12°
DEC-R21-1AG-02x	A. GREEN	50-60	120VAC	2.50W	1500	525	12°
DEC-R21-1BG-02x	B. GREEN	50-60	120VAC	2.50W	1500	505	12°
DEC-R21-1PB-02x	BLUE	50-60	120VAC	2.50W	1200	470	12°
DEC-R21-851-02x	INFRARED	60-70	120VAC	1.70W	10mW	850	12°
DEC-R21-881-02x	INFRARED	60-70	120VAC	1.70W	8mW	880	12°
DEC-R21-941-02x	INFRARED	60-70	120VAC	1.70W	7mW	940	12°

For Other Voltages, Replace 02 at End of Part Number with:  
01 - 24VDC, 03 - 12VDC, 04- 240VAC

Replace x in Part Number with Required Viewing Angle Options

N - Narrow (12°) M - Medium (50°)  
S - Standard (30°) W - Extra Wide (120°)

## Notes:

1. Not all possible combinations of voltage, intensity and angle are available
2. Intensity shown is for narrow angle. Intensity is reduced 12 to 15 times when using extra wide angles
3. Infrared LED Intensity is shown as typical milliwatt power per steradian

