

SMD Choke Coils

Singapore

Series: **W**

Type: **ELL7TW**



Type ELL7TW

■ Features

- Magnetic shielded structure
- Low DC resistance and capable of corresponding
- Available on tape and reel for automatic insertion

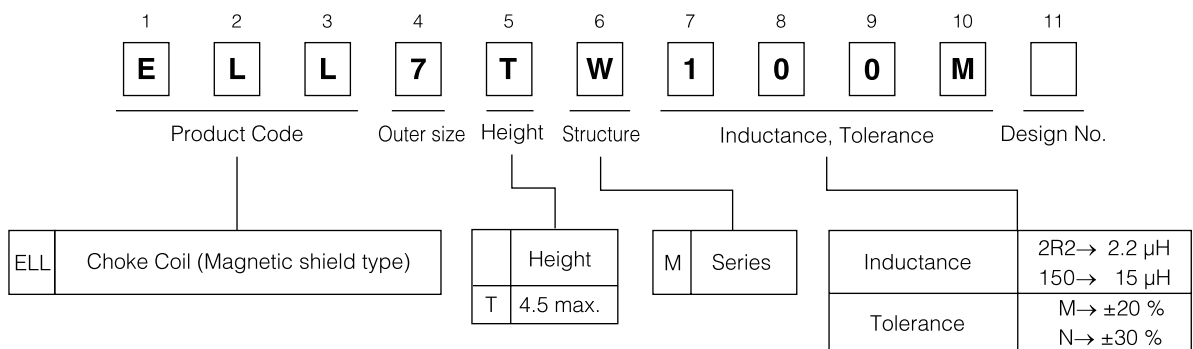
■ Recommended Applications

- DC/DC converter circuit for Computer peripheral
- Choke coils for Chopper circuit decoupling choked in DC/DC converter circuit

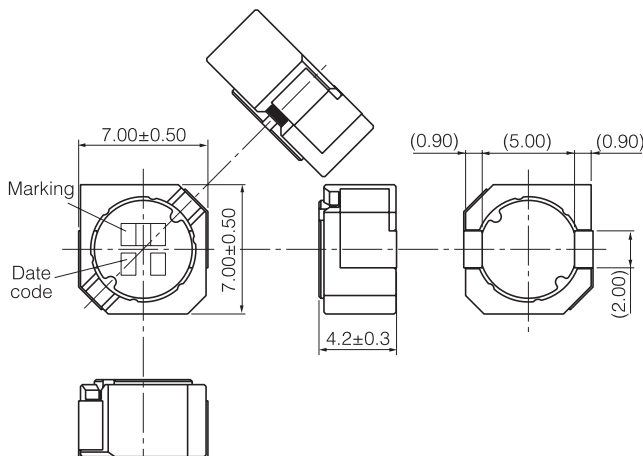
■ Standard Packing Quantity

- 1000 pcs./Reel

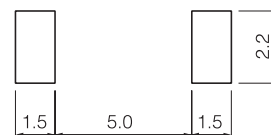
■ Explanation of Part Numbers



■ Dimensions in mm (not to scale)



■ Recommended land patterns in mm (not to scale)



### Examples

Part Number	Inductance (100kHz)		DCR (at 20 °C)		* Rated Current (mA max.)	Marking
	( $\mu$ H)	Tol.	(m $\Omega$ )	Tol.		
ELL7TW1R0N	1.0	±30 %	11	±20%	4100	1R0
ELL7TW1R5N	1.5		12		3800	1R5
ELL7TW2R0N	2.0		14		3600	2R0
ELL7TW2R7N	2.7		16		3100	2R7
ELL7TW3R3N	3.3		18		2900	3R3
ELL7TW3R9N	3.9		20		2600	3R9
ELL7TW5R1N	5.1		22		2400	5R1
ELL7TW6R2N	6.2		24		2100	6R2
ELL7TW7R5N	7.5		26		1800	7R5
ELL7TW8R2N	8.2		28		1700	8R2
ELL7TW100M	10.0	±20%	30	±20%	1600	100
ELL7TW120M	12.0		45		1500	120
ELL7TW150M	15.0		51		1400	150
ELL7TW180M	18.0		58		1300	180
ELL7TW220M	22.0		64		1100	220
ELL7TW270M	27.0		77		1000	270
ELL7TW330M	33.0		89		930	330
ELL7TW390M	39.0		97		820	390
ELL7TW470M	47.0		120		780	470
ELL7TW560M	56.0		140		720	560
ELL7TW680M	68.0	170	630	680		
ELL7TW820M	82.0	210	560	820		
ELL7TW101M	100.0	±20%	230	±20%	530	101
ELL7TW121M	120.0		270		480	121
ELL7TW151M	150.0		360		430	151
ELL7TW181M	180.0		400		390	181
ELL7TW221M	220.0		540		350	221
ELL7TW271M	270.0		730		320	271
ELL7TW331M	330.0		840		290	331
ELL7TW391M	390.0		930		260	391
ELL7TW471M	470.0		1220		240	471
ELL7TW561M	560.0		1380		220	561
ELL7TW681M	680.0	1990	210	681		
ELL7TW821M	820.0	2260	180	821		
ELL7TW102M	1000.0	2560	170	102		

\* Current: This indicates the value of current when the inductance is 70% more than nominal value and temperature rising  $\Delta t=45^\circ\text{C}$  lower at D.C superposition.(at 20°C)

### Embossed Carrier Tape Dimensions in mm (not to scale)

