

## Description

CB-C7 cell-based product family is a 0.8-micron (drawn) process with two- or three-layer metalization and is offered in 22 I/O pad ring step sizes. It is ideal for applications such as handheld terminals, personal digital office assistants, word spellers, HDD, cellular phones, LAN, multimedia graphics and a variety of high-volume PC-based applications. The family allows designing complex logic functions, up to 237,000 usable gates of user-defined logic. Mega-macro blocks may include industry-standard CPU cores, peripherals, and analog functions — thus enabling complete system-on-a-chip solutions.

The CB-C7 series consists of two types of architectures, a Fast Turn FT-type embedded array and a High Density HD-type full standard cell. The FT-type uses fully-diffused standard cell embedded cores with sea-of-gates user-definable logic. The FT solution offers gate-array-like turn-around times while allowing the incorporation of large embedded functions. Another important advantage is that the FT-type is well-suited for multiple designs built around a common embedded CPU function, such as the V30HL (8086) CPU.

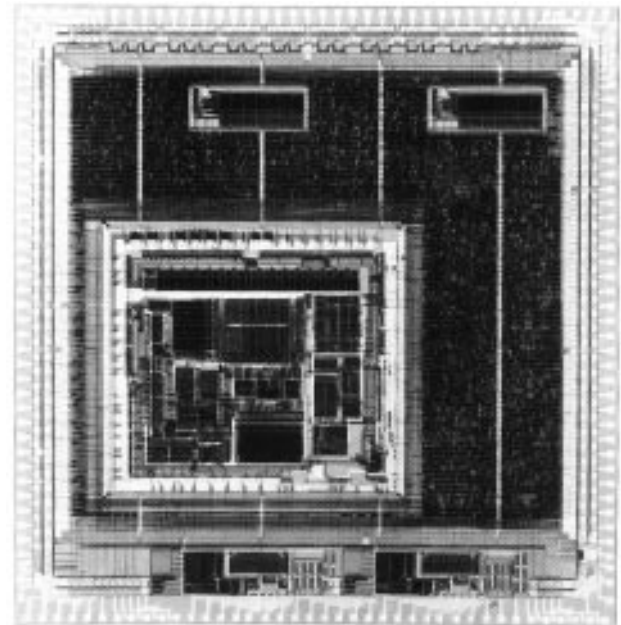
The HD-type is comprised of fully-diffused standard cell architecture for both the embedded cores and the user-defined logic area. This solution offers an optimal die size for economic cost-effective volume production. Full gate delay models are available for both in Verilog®, a golden simulator, as part of NEC's OpenCAD® Design System.

## Features

- Advanced sub-micron drawn gate length CMOS technology with three-layer metalization
- Extensive embedded core library includes CPU, analog, and video DAC functions
- Low power dissipation 3.9  $\mu$ W/gate/MHz at 5 V
- 3 V block library for low power applications
- Packages offered: QFP, PLCC, TQFP and CPGA
- Datapath compiler available for multipliers, FIFOs, and register files
- Gate delay of 0.33 ns (F/O = 1; L = 0 mm)

Note: Some analog functions are currently in development

**Figure 1. Integrated HDD Solution with CB-C7 Cell-Based ASIC with Embedded 78K3 MPU, Compiled SRAMs and A/D Converters**



## Digital Megamacros in Library

Compatible Device	NEC Code	Description
8088	V20HL (NA70108H)	8-bit CPU
8086	V30HL (NA70116H)	16-bit CPU
78K3	NA78350	16-bit Microcontroller
Z80	NA70008A	Z80™ 8-bit CPU
80C42	NA80C42H	Keyboard Controller
72065B	NA72065B	Floppy Disk Controller
72020	NA72020	Graphics Display Controller
8237A	NA71037	Programmable DMA Controller
8251A	NA71051	Serial Communications Controller
8254	NA71054	Interval Timer
8255A	NA71055	Peripheral Interface
8259A	NA71059	Interrupt Controller
4991A	NA4991A	Real Time Clock

## Analog Megamacros in Library

NEC Code	Description
XXXXA	135 MHz triple 8-bit video DAC
AADA820A	20 MHz triple 8-bit video DAC
AADA8GPC	8-bit general-purpose DAC
AAAD820A	20 MHz 8-bit video ADC
AACP25NA	High-speed (25ns) comparator
AACP80NA	High-speed (80ns) comparator
AACP01UA	General-purpose comparator
AAOP10MA	High-speed operational amplifier
AAOP01MA	General-purpose operative amplifier
AASWGPCA	Analog switch with control
AASWGPTA	Analog switch with control

### OpenCAD Design System

CB-C7 is supported by the OpenCAD Design System, an ASIC design environment that merges the best of today's most powerful CAD ASIC software design tools and proprietary tools, such as a floorplanner and module compilers, into a single environment.

Sample design kits are available at no charge to qualified users: contact the NEC ASIC Design Center nearest you for more information. A software license agreement is required.

### Digital Megafunctions

In addition to the V30HL/V20HL 8086, 8088 product families and support peripherals, NEC offers complex standard IC functions as well, such as the NA72070 Advanced Floppy Disk Controller, NA80C42 Keyboard Controller, A/D and D/A converters for multimedia applications. Compiled RAM and ROM are also available to satisfy a myriad of different product applications.

### Analog Blocks

NEC is building upon its expertise in analog standard ICs by now offering select members of its analog family as analog megamacros. These megamacros are layed out in the I/O area to maximize die area in the core for digital functions and user-defined logic. This separation of the analog and digital functions and separate analog  $V_{DD}$  and  $V_{SS}$  line also contributes to better noise isolation.

Digital and analog functions on a CB-C7 cell-based array are tested separately.

### Test and Emulation Bus Architecture

The test and emulation bus architecture, MACRObus™, used for CB-C7 design methodology approach to the testing and emulation of embedded functions. It allows the emulation of the production chip for system validation, reuse of the test bus circuit and use of standard micro IC functional test vectors and system vectors in a modularized fashion. It also provides real-time emulation support and its test bus structure allows testing of on-chip RAM/ROM or analog blocks.

### On-Chip Compiled Memory

RAM and ROM blocks can be custom compiled in the CB-C7 design environment.

The RAM and ROM compiler allows ASIC designers to generate silicon-efficient memory blocks of specific size and performance to suit exact system requirements quickly and efficiently.

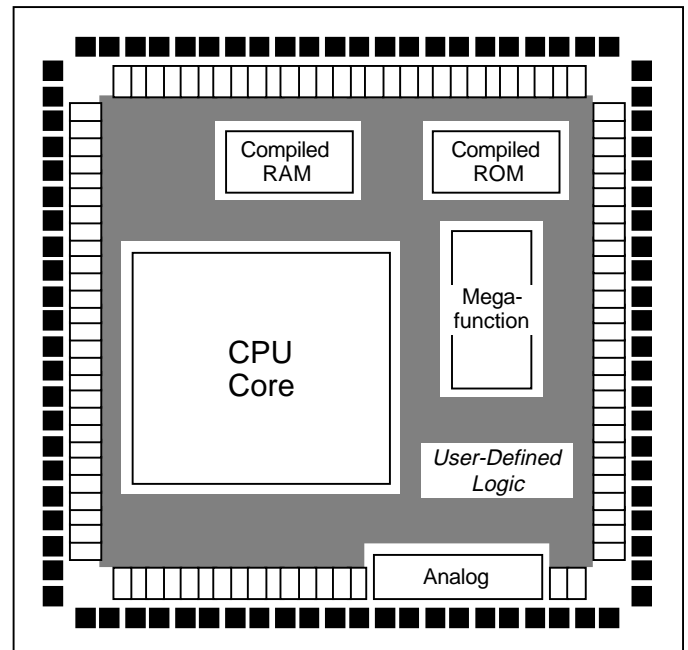
The table of compilable RAM and ROM, shown on page 4, describes three different MUX ratios along with the minimum and maximum size. For the 16:1 MUX, the minimum word depth is 256 and the minimum bit width is 1. The word depth can increase by 64 words in increments up to 2K and the bit width can increase by 1 bit up to a maximum of 8 bits. The other RAM and ROM configurations are determined in the same fashion.

Typical examples of applications containing digital memory and analog cores and their step size is shown in Figure 2.

### 3 V Operation

CB-C7 CMOS is ideal for low power, high volume, battery-operated products. The CB-C7 process has been recharacterized to operate at two voltage levels,  $5 V \pm 10\%$  and  $3.0 V \pm 10\%$ . Not only have macrocells been recharacterized to operate at the lower voltage, but complex megamacros and compiled memory as well. For more information on the 3-volt version of CB-C7, please refer to the CB-C7 3-Volt Data Sheet (Document No. 70195).

**Figure 2. Typical Application Example (See Table 2)**



#### Trademarks

- ®Verilog is a registered trademark of Cadence Design System, Inc.
- ®OpenCAD is a registered trademark of NEC Electronics Inc.
- ™Z80 is a trademark of Zilog, Inc.
- ™MACRObus is a trademark of NEC Electronics Inc.

**Table 1. CB-C7 Step Sizes and Usable Gate Count**

No.	Step Size	I/O <sup>1</sup>	Total Raw Grids	HD-Type Usable Gates <sup>2</sup>		FT-Type Usable Gates <sup>2</sup>	
				2-Layer Metal	3-Layer Metal	2-Layer Metal	3-Layer Metal
1	B18	88	35,400	5,930	7,040	3,140	3,860
2	B57	104	49,600	8,840	10,430	4,720	5,760
3	B97	120	66,600	12,390	14,560	6,660	8,070
4	C37	136	86,000	16,530	19,370	8,910	10,760
5	C76	152	107,700	21,150	24,740	11,440	13,780
6	D16	168	131,800	26,460	30,900	14,340	17,230
7	D55	184	158,300	32,230	37,590	17,490	20,990
8	D75	192	172,500	35,390	41,260	19,230	23,050
9	E15	208	202,700	42,160	49,100	22,930	27,450
10	E54	224	235,800	49,360	57,440	26,870	32,140
11	E94	240	270,800	57,290	66,630	31,220	37,300
12	F34	256	307,800	65,810	76,500	35,890	42,850
13	F74	272	348,300	74,730	86,820	40,780	48,660
14	G14	288	390,700	84,410	98,030	46,100	54,970
15	G53	304	435,500	94,480	109,680	51,620	61,520
16	G93	320	482,100	105,330	122,240	57,580	68,590
17	H33	336	531,700	116,770	135,470	63,860	76,040
18	H72	352	583,800	128,550	149,100	70,330	83,710
19	J32	376	662,900	147,680	171,230	80,830	96,170
20	J71	392	720,900	160,890	186,510	88,090	104,770
21	K11	408	781,300	174,960	202,780	95,820	113,930
22	K90	440	907,800	204,550	236,990	112,070	133,200

**Notes:** 1. I/O may be configured as VDD/GND

2. Usable gates: equivalent estimated 2-input NAND, will vary depending on specific design

a. 2-layer metal FT = 55% utilization for routing HD = 65% utilization for routing

b. 3-layer metal FT = 65% utilization for routing HD = 75% utilization for routing

c. Grid/gate ratio\* FT = 4.3 grid/gate ratio HD = 2.8

d. Grid to gate ratio based on conversion from other libraries will be different. Contact NEC Design Center for die size estimation

\* Based on CMOS-6 L302 cell equivalents

**Table 2. Examples of Core Use (Refer to Figure 2)**

Application	Core	UDL*	I/O	Step Size	Metalization	Package
Cellular Phone	Z80	40,000	102	E94	3LM	120 TQFP
Wireless or GPS	V20HL	10,000	88	D55	3LM	100 TQFP
Hard Disk Drive	V20HL 71054 71059	3,000	80	D55	2LM	100 TQFP
Graphics Controller	Triple Video DAC HS RAM 256 W x 8 bits x 3	40,000	182	E94	3LM	208 PQFP
Document Scanner	ROM 256 W x 16 bits RAM 64 W x 8 bits x 5	3,000	88	C37	2LM	100 QFP

\* UDL = User-Defined Logic; measured in 2-input NAND gate equivalents of CMOS-6 family

**Table 3. Compilable RAM, ROM and Datapath Elements for CB-C7**

<b>Compiled SRAM</b>			
– Single port, asynchronous operation			
	<b>Min Size</b>	<b>Max Size</b>	<b>Increment</b>
16:1 Column MUX	256 x 1	2K x 8	64 words, 1 bit
8:1 Column MUX	128 x 1	1K x 16	32 words, 1 bit
4:1 Column MUX	64 x 1	512 x 32	16 words, 1 bit
<b>Compiled High-Speed SRAM</b>			
– Single port, asynchronous high speed operation			
– Speed: 7ns (typ) (512W x 8 bit)			
	<b>Min Size</b>	<b>Max Size</b>	<b>Increment</b>
8:1 Column MUX	16 x 1	2K x 20	16 words, 1 bit
<b>Compiled Dual Port RAM</b>			
– Dual port, asynchronous operation			
– Speed: 24ns (typ) (512W x 8 bit)			
	<b>Min Size</b>	<b>Max Size</b>	<b>Increment</b>
8:1 Column MUX	16 x 1	2K x 32	16 words, 1 bit

<b>Compiled ROM</b>			
– Single port, asynchronous operation			
– Speed: 35ns (typ) (512W x 8 bit)			
	<b>Min Size</b>	<b>Max Size</b>	<b>Increment</b>
32:1 Column MUX	512 x 1	32K x 16	512 words, 1 bit
16:1 Column MUX	256 x 2	16K x 32	256 words, 1 bit
8:1 Column MUX	128 x 4	8K x 64	128 words, 2 bits
<b>Datapath Modules</b>			
	<b>Min Size</b>	<b>Max Size</b>	<b>Increment</b>
Multiplier	6 x 6	32 x 32	2 bits
Register File	8 x 2	256 x 32	4 words, 1 bit
FIFO	8 x 2	256 x 32	2 words, 1 bit

\* Please check with the Design Center for exact specifications and availability

Example for Compiled High-Speed SRAM: For a 8:1 column MUX minimum size is 16 x 1. Increments can thus be 16, 32, 48 words up to 2K max. Bit size can be a minimum of 1 bit, one bit at a time increments to 20 bits max.

## Absolute Maximum Ratings

Power supply voltage, $V_{DD}$	-0.5 to +6.5 V
Input/output voltage, $V_I / V_O$	-0.5 V to $V_{DD} + 0.5$ V
Output current, $I_O$	
$I_{OL}$ (min) = 6 mA (typ)	12 mA
$I_{OL}$ (min) = 8 mA (typ)	24 mA
$I_{OL}$ (min) = 12 mA (typ)	36 mA
Operating temperature, $T_{OPT}$	-40 to +85°C
Storage temperature, $T_{STG}$	-65 to +150°C

**Caution:** Exposure to absolute maximum ratings for extended periods may affect device reliability; exceeding the ratings could cause permanent damage. The device should not be operated outside the recommended operating conditions.

## Input/Output Capacitance

$V_{DD} = V_I = 0$  V;  $f = 1$  MHz

Terminal	Symbol	Typ	Max	Unit
Input	$C_{IN}$	10	20	pF
Output	$C_{OUT}$	10	20	pF
I/O	$C_{I/O}$	10	20	pF

**Note:**

(1) Values include package pin capacitance.

## Power Consumption

Description	Limits (max)	Unit	Test Conditions
Internal cell (L302)	3.9	μW/MHz	F/O = 2; L = 2 mm
Input block	45	μW/MHz	F/O = 2; L = 2 mm
Output block	0.97	mW/MHz	$C_L = 15$ pF

## Recommended Operating Conditions

Parameter	Symbol	CMOS Level		TTL Level		Unit
		Min	Max	Min	Max	
Power supply voltage	$V_{DD}$	4.5	5.5	4.75	5.25	V
Ambient temperature	$T_A$	-40	+85	0	+70	°C
Input voltage	$V_I$	0	$V_{DD}$	0	$V_{DD}$	V
High-level input voltage	$V_{IH}$	0.7 $V_{DD}$	$V_{DD}$	2.2	$V_{DD}$	V
Input rise or fall time (normal input)	$t_{RI}, t_{FI}$	0	200	0	200	ns
Input rise or fall time (Schmitt-trigger input)	$t_{RI}, t_{FI}$	0	10	0	10	ms
Positive Schmitt-trigger voltage	$V_P$	1.8	4.0	1.2	2.4	V
Negative Schmitt-trigger voltage	$V_N$	0.6	3.1	0.6	1.8	V
Hysteresis voltage	$V_H$	0.3	1.5	0.3	1.5	V

**Note:** The rise/fall time given for a Schmitt-trigger input buffer varies depending on the operating environment. Simultaneous switching of output buffers should be analyzed before deciding to use a Schmitt-trigger input buffer.

## AC Characteristics

$V_{DD} = 5$  V ± 10%;  $T_A = -40$  to +85°C

Parameter	Symbol	Min	Typ	Max	Unit	Conditions
Internal toggle frequency	$f_{TOG}$	140			MHz	D-F/F; F/O = 2
Delay time, 2-input NAND Gate*						
Standard gate (F302) HD-type	$t_{PD}$		180 (HL)		ps	F/O = 1; L = 0 mm
Standard gate (F302) HD-type	$t_{PD}$		330 (HL)		ps	F/O = 2; L = 1 mm
Low power gate (L302) HD-type	$t_{PD}$		210 (HL)		ps	F/O = 1; L = 0 mm
Low power gate (L302) HD-type	$t_{PD}$		490 (HL)		ps	F/O = 2; L = 1 mm
Delay time, Buffer						
Input buffer (FI01)	$t_{PD}$		600		ps	F/O = 2; L = 2 mm
Output buffer (FO01)	$t_{PD}$		2200		ps	$C_L = 15$ pF, IOL = 4mA
Rise and Fall Times						
Output rise time (FO01)	$t_R$		4000		ps	$C_L = 15$ pF, IOL = 4mA
Input fall time (FO01)	$t_F$		2000		ps	$C_L = 15$ pF, IOH = -2mA

\* With L101 as load

### DC Characteristics

$V_{DD} = 5\text{ V} \pm 10\%$ ;  $T_A = -40\text{ to }+85^\circ\text{C}$

Parameter	Symbol	Min	Typ	Max	Unit	Conditions
Static current (Note 1)	$I_L$		0.1	400	$\mu\text{A}$	$V_I = V_{DD}$ or GND
Input leakage current						
Normal input	$I_I$		$\pm 0.01$	$\pm 10$	$\mu\text{A}$	$V_I = V_{DD}$ or GND
50 k $\Omega$ pull-up	$I_I$	-30	-100	-300	$\mu\text{A}$	$V_I = \text{GND}$
5 k $\Omega$ pull-up	$I_I$	-0.35	-1.0	-2.2	mA	$V_I = \text{GND}$
50 k $\Omega$ pull-down	$I_I$	30	100	300	$\mu\text{A}$	$V_I = V_{DD}$
Off-state output leakage current						
Normal Input	$I_{OZ}$		$\pm 0.01$	$\pm 10$	$\mu\text{A}$	$V_O = V_{DD}$ or GND
50 k $\Omega$ pull-up	$I_I$	-30	-100	-300	$\mu\text{A}$	$V_I = \text{GND}$
5 k $\Omega$ pull-up	$I_I$	-0.35	-1.0	-2.2	mA	$V_I = \text{GND}$
50 k $\Omega$ pull-down	$I_I$	30	100	300	$\mu\text{A}$	$V_I = V_{DD}$
Input clamp voltage (Note 2)	$V_{IC}$	-1.2			V	$I_I = 18\text{ mA}$
Output short circuit current (Note 3)	$I_{OS}$	-250			mA	$V_O = 0\text{ V}$
Low-level output current (CMOS)						
4 mA (Note 4)	$I_{OL}$	4.0			mA	$V_{OL} = 0.4\text{ V}$
8 mA (Note 4)	$I_{OL}$	8.0			mA	$V_{OL} = 0.4\text{ V}$
12 mA (Note 4)	$I_{OL}$	12.0			mA	$V_{OL} = 0.4\text{ V}$
High-level output current (CMOS)						
4 mA (Note 4)	$I_{OH}$	-2.0			mA	$V_{OH} = V_{DD} - 0.4\text{ V}$
8 mA (Note 4)	$I_{OH}$	-4.0			mA	$V_{OH} = V_{DD} - 0.4\text{ V}$
12 mA (Note 4)	$I_{OH}$	-6.0			mA	$V_{OH} = V_{DD} - 0.4\text{ V}$
Low-level output current (TTL)						
6 mA (Note 5)	$I_{OL}$	6.0			mA	$V_{OL} = 0.4\text{ V}$
High-level output current (TTL)						
6 mA (Note 5)	$I_{OH}$	-0.5			mA	$V_{OH} = 2.4\text{ V}$
Low-level output voltage						
	$V_{OL}$			0.4	V	$I_{OL} = 4\text{ mA}$
	$V_{OL}$			0.4	V	$I_{OL} = 8\text{ mA}$
	$V_{OL}$			0.4	V	$I_{OL} = 12\text{ mA}$
High-level output voltage						
	$V_{OH}$	$V_{DD} - 0.4$			V	$I_{OH} = -2\text{ mA}$
	$V_{OH}$	$V_{DD} - 0.4$			V	$I_{OH} = -4\text{ mA}$
	$V_{OH}$	$V_{DD} - 0.4$			V	$I_{OH} = -6\text{ mA}$
	$V_{OH}$	2.4			V	$I_{OH} = -0.5\text{ mA}$

**Notes:**

- (1) The maximum value reflects the use of pull-up/pull-down resistors and oscillator blocks. Contact an NEC ASIC Design Center for assistance in calculation.
- (2) The input clamp voltage is held at a specified level when any input signal voltage is negative. The input signal undershoot or its ringing is clamped at this voltage.
- (3) Rating is for only one output operating in this mode for less than 1 second.
- (4) CMOS-level output buffer ( $V_{DD} = 5\text{ V} \pm 10\%$ ,  $T_A = -40^\circ\text{C to }+85^\circ\text{C}$ )
- (5) TTL-level output buffer ( $V_{DD} = 5\text{ V} \pm 5\%$ ,  $T_A = 0\text{ to }+70^\circ\text{C}$ )

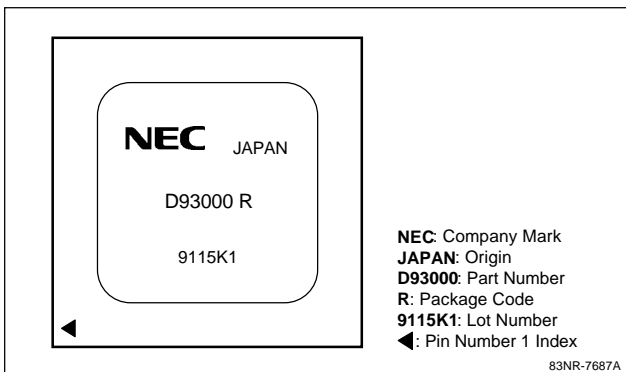
**Table 4. Package Options**

Pad Ring Step Sizes	B18	B57	B97	C37	C76	D16	D55	D75	E15	E54	E94
<b>Package Type</b>											
<b>Plastic Quad Flatpack (QFP)</b>											
44-pin (0.8 mm lead pitch)	A	A	A	A	A	A	–	–	–	–	–
52-pin (1 mm lead pitch)	A	A	A	A	A	A	A	–	–	–	–
64-pin (1 mm lead pitch)	A	A	A	A	A	A	A	A	A	A	A
80-pin (0.8 mm lead pitch)	A	A	A	A	A	A	A	A	A	A	A
100-pin (0.65 mm lead pitch)	–	A	A	A	A	A	A	A	A	A	A
120-pin (0.8 mm lead pitch)	–	–	A	A	A	A	A	A	A	A	A
136-pin (0.65 mm lead pitch)	–	–	A	A	A	A	A	A	A	A	A
160-pin (0.65 mm lead pitch)	–	–	–	–	–	A	A	A	A	A	A
160 <sup>1</sup> -pin (0.65 mm lead pitch)	–	–	–	–	–	–	–	A	A	A	A
160 <sup>2</sup> -pin (0.65 mm lead pitch)	–	–	–	–	–	–	–	A	A	A	A
<b>Plastic Quad Flatpack (QFP-FP)</b>											
100-pin (0.5 mm lead pitch)	–	A	A	A	A	A	A	A	A	A	A
120-pin (0.5 mm lead pitch)	–	–	A	A	A	A	A	A	A	A	A
144-pin (0.5 mm lead pitch)	–	–	–	A	A	A	A	A	A	A	A
160-pin (0.5 mm lead pitch)	–	–	–	–	–	A	A	A	A	A	A
160 <sup>2</sup> -pin (0.5 mm lead pitch)	–	–	–	–	–	–	–	A	A	A	A
176-pin (0.5 mm lead pitch)	–	–	–	–	–	A	A	A	A	A	A
176 <sup>1</sup> -pin (0.5 mm lead pitch)	–	–	–	–	–	–	–	–	–	A	A
176 <sup>2</sup> -pin (0.5 mm lead pitch)	–	–	–	–	–	–	–	–	–	A	A
208-pin (0.5 mm lead pitch)	–	–	–	–	–	–	–	–	–	–	A
<b>Thin Plastic Quad Flatpack (TQFP)</b>											
64-pin (0.5 mm lead pitch)	A	A	A	A	–	–	–	–	–	–	–
80-pin (0.5 mm lead pitch)	A	A	A	A	–	–	–	–	–	–	–
100 <sup>1</sup> -pin (0.5 mm lead pitch)	–	A	A	A	A	A	A	A	A	–	–
<b>Plastic Leaded Chip Carrier (PLCC)</b>											
68-pin (50 mils lead pitch)	–	–	–	A	A	A	A	A	A	A	–
84-pin (50 mils lead pitch)	–	–	–	A	A	A	A	A	A	A	–

<sup>1</sup> = Cu lead frame                      A = Available or under development  
<sup>2</sup> = Cu lead frame and heat sink      – = Unavailable

**Note:** NEC reserves the right to alter these package options based on the results of qualification. Each cell-based design/package combination must be cleared for manufacturing suitability. For the latest package availability for CB-C7, please contact your local NEC ASIC Design Center.

### Typical CB-C7 Package Marking



### CB-C7 Numbering System

Part Number	Description
μPD93XXX	Contains logic only or logic plus RAM and/or ROM
μPD94XXX	Contains the same as μPD93XXX but with ROM code change
μPD95XXX	Same as μPD93XXX but contains megamicro blocks, such as a 710XXX or V20HL/V30HL
μPD96XXX	Same as μPD95XXX but with a ROM code change

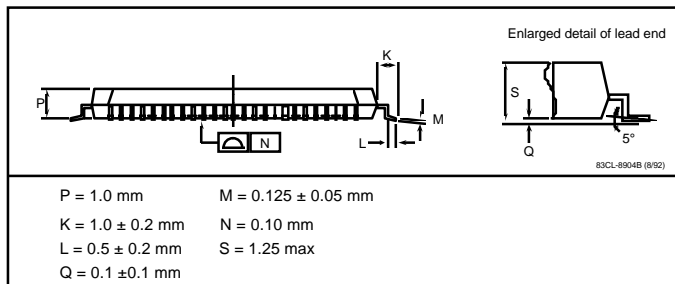
Table 4. Package Options (Cont'd)

Pad Ring Step Size	F34	F74	G14	G53	G93	H33	H72	J32	J71	K11	K90
<b>Package Type</b>											
<b>Plastic Quad Flatpack (QFP)</b>											
64-pin (1 mm lead pitch)	A	-	-	-	-	-	-	-	-	-	-
80-pin (0.8 mm lead pitch)	A	-	-	-	-	-	-	-	-	-	-
100-pin (0.65 mm lead pitch)	A	-	-	-	-	-	-	-	-	-	-
120-pin (0.8 mm lead pitch)	A	A	A	A	A	A	A	A	-	-	-
136-pin (0.65 mm lead pitch)	A	A	A	A	A	A	A	A	-	-	-
160-pin (0.65 mm lead pitch)	A	A	A	A	A	A	A	A	A	A	A
160 <sup>1</sup> -pin (0.65 mm lead pitch)	A	A	A	A	A	A	A	A	A	A	A
160 <sup>2</sup> -pin (0.65 mm lead pitch)	A	A	A	A	A	A	A	A	A	A	A
184 <sup>1</sup> -pin (0.65 mm lead pitch)	A	A	A	A	A	A	A	A	A	A	A
<b>Plastic Quad Flatpack (QFP-FP)</b>											
100-pin (0.5 mm lead pitch)	A	A	-	-	-	-	-	-	-	-	-
120-pin (0.5 mm lead pitch)	A	A	A	A	A	A	A	-	-	-	-
144-pin (0.5 mm lead pitch)	A	A	A	A	A	A	A	-	-	-	-
160-pin (0.5 mm lead pitch)	A	A	A	A	A	A	A	A	A	A	A
160 <sup>2</sup> -pin (0.5 mm lead pitch)	A	A	A	A	A	A	A	-	-	-	-
176-pin (0.5 mm lead pitch)	A	A	A	A	A	A	A	A	A	A	A
176 <sup>1</sup> -pin (0.5 mm lead pitch)	A	A	A	A	A	A	A	A	A	A	A
176 <sup>2</sup> -pin (0.5 mm lead pitch)	A	A	A	A	A	A	A	-	-	-	-
208-pin (0.5 mm lead pitch)	A	A	A	A	A	A	A	A	A	A	A
208 <sup>1</sup> -pin (0.5 mm lead pitch)	-	-	A	A	A	A	A	A	A	A	A
208 <sup>2</sup> -pin (0.5 mm lead pitch)	-	-	A	A	A	A	A	A	A	A	A
240 <sup>1</sup> -pin (0.5 mm lead pitch)	-	-	A	A	A	A	A	A	A	A	A
256 <sup>1</sup> -pin (0.4 mm lead pitch)	-	-	A	A	A	A	A	A	A	A	A
272 <sup>1</sup> -pin (0.5 mm lead pitch)	-	-	-	-	-	-	-	A	A	A	A
304 <sup>1</sup> -pin (0.5 mm lead pitch)	-	-	-	-	-	-	-	-	-	A	A

<sup>1</sup> = Cu lead frame                                    A = Available or under development  
<sup>2</sup> = Cu lead frame and heat sink                - = Unavailable

**Note:** NEC reserves the right to alter these package options based on the results of qualification. Each cell-based design/package combination must be cleared for manufacturing suitability. For the latest package availability for CB-C7, please contact your local NEC ASIC Design Center.

Figure 3. Popular CB-C7 Package  
 100-pin TQFP ■ 14 mm Body Size





## NEC's ASIC Design System

NEC supports its ASIC products with a comprehensive CAD system that significantly reduces the time and expense usually associated with the development of semi-custom devices. Designers can now choose from today's most popular third-party software tools, as shown in Table 5.

NEC's OpenCAD Design System is a front-end to back-end ASIC design package that merges several advanced CAE/CAD tools into a single structure. One can select a single CAE platform, or can mix and match tools from a variety of third-party vendors. The design flow combines tools for floorplanning, logic synthesis, automatic test generation, accelerated fault-grading, full timing simulation, and advanced place-and-route algorithms. RAM/ROM and Datapath Compilers are also available for use in CB-C7 designs. This flexible design environment ensures accurate designs. See Table 5 for software tool support.

There are two basic methods for design entry, schematic capture and HDL specification. After the initial EDIF netlist is generated, basic design flow differs little between the two methods.

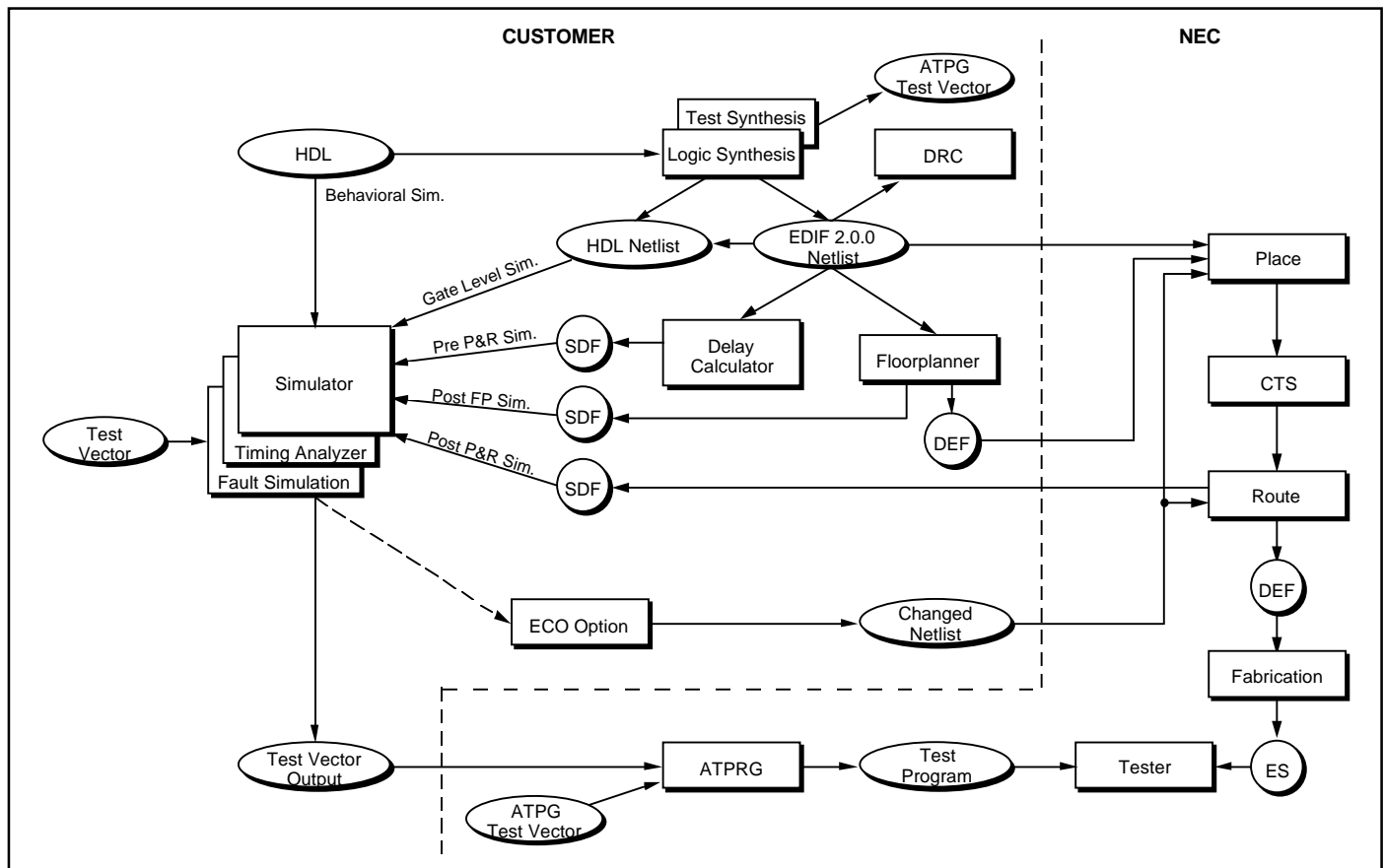
**Table 5. CAD Tools Available for CB-C7**

CAD Company	Tools								
	Schematic Entry	Synthesis	Simulation	Static Timing Analysis	Floorplanner	Place and Route	Fault Simulation	ATPG	
Cadence			*						
Mentor				+			+		
Viewlogic									
Synopsys									
IKOS									
Zycad/NECplus			*						
Intelligen									
NEC			*						

**Key:** | indicates planned support – check with local NEC Design Center for latest availability; \* Golden simulator; + Available through simulation libraries.

A top-down modeling methodology is possible by means of HDL specification. Designers can concentrate their design effort at a higher level of abstraction, specifying, modeling, and simulating their designs at the system level. This leaves the details of the gate-level implementation to

**Figure 4. CB-C7 HDL-Based Design Flow**



the synthesis tools. After having verified proper functionality, designers are free to explore functional and architectural trade-offs and optimize chip performance while minimizing chip area. An engineer can evaluate several architectures and select the best solution before committing to silicon.

The more traditional method of design entry and schematic capture, is also available with a wide variety of third-party tools, as shown in the table.

One of the key benefits of both ASIC design flows is that post place-and-route simulation can be accomplished at the customer's site since NEC offers designers a choice of simulators with the "golden simulator" status. Golden simulator status means that after receiving the post place-and-route simulation results from the customer, NEC can proceed directly to photomask production, by-passing the additional post-simulation steps.

To simplify simulation and testing of embedded cores and megamacros, full Verilog gate delay models are provided for all megamacros. The megamacros are then fully tested with a standard set of production test vectors.

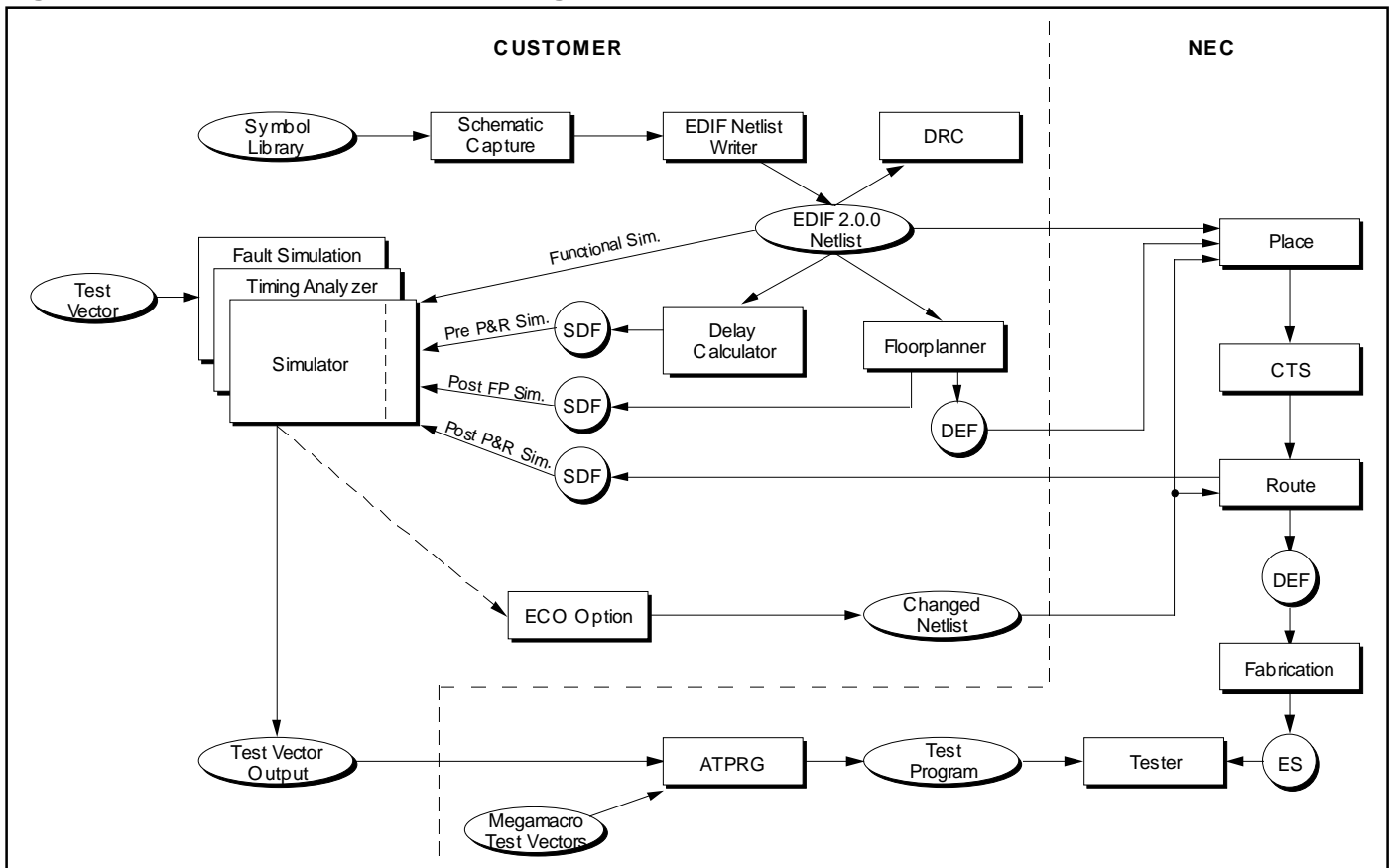
The floorplanner tool provides a realistic estimate of wire length by grouping hierarchical blocks in a specific physical

location on the chip. This allows for more accurate simulation results by minimizing critical path interconnect delays. The floorplanner also allows graphical I/O assignment capabilities and generates a delay file for post-floorplanner simulation.

The ECO option allows the designer to make minor corrections in the design without requiring an entirely new placement and routing of the device. The tool ensures that relatively small changes, such as connectivity changes, will not greatly impact the timing of the current design. This can vastly improve turn-around time for the design.

NEC also incorporates proprietary tools to facilitate the design process. A single delay calculator is used for all CAE platforms to ensure consistent timing and simulation results. A comprehensive design rule check program (DRC) reports design rule violations as well as chip utilization statistics for the design netlist. The generated report contains information such as cell count and usage rate as well as net and total pin counts. Unused input pins, violations in pin naming conventions, and excessive fan-out limits are examples of the design rule violations reported by this program.

Figure 5. CB-C7 Schematic-Based Design Flow



## Cell Library List

The CB-C7 standard cell library offers a variety of blocks, macrocells and megafunctions. SSI library elements shown include gates, flip-flop circuits, and shift registers. The names and functions of these blocks are designed to be compatible with those of the CMOS-7 and CMOS-6 families.

## Block List

Block Name	Description	I <sub>OL</sub> (mA)	Area <sup>1</sup> (grids)
<b>Interface Blocks</b>			
<b>Input Buffers</b>			
FI01	Input buffer, CMOS in	-	12/6
FID1	Input buffer, CMOS in, 50 kΩ pull-down res.	-	12/6
FIU1	Input buffer, CMOS in, 50 kΩ pull-up res.	-	12/6
FIW1	Input buffer, CMOS in, 5 kΩ pull-up res.	-	12/6
FI02	Input buffer, TTL in	-	12/7
FID2	Input buffer, TTL in, 50 kΩ pull-down res.	-	12/7
FIU2	Input buffer, TTL in, 50 kΩ pull-up res.	-	12/7
FIW2	Input buffer, TTL in, 5 kΩ pull-up res.	-	12/7
FDS1	Input buffer, CMOS Schmitt in, 50 kΩ pull-down res.	-	20/14
FIS1	Input buffer, CMOS Schmitt in	-	20/14
FUS1	Input buffer, CMOS Schmitt in, 50 kΩ pull-up res.	-	20/14
FWS1	Input buffer, CMOS Schmitt in, 5 kΩ pull-up res.	-	20/14
FDS2	Input buffer, TTL Schmitt in, 50 kΩ pull-down res.	-	28/17
FIS2	Input buffer, TTL Schmitt in	-	28/17
FUS2	Input buffer, TTL Schmitt in, 50 kΩ pull-up res.	-	28/17
FWS2	Input buffer, TTL Schmitt in, 5 kΩ pull-up res.	-	28/17
<b>OR Input Buffers</b>			
FI0A	Input buffer, CMOS-NOR in	-	16/9
FIDA	Input buffer, CMOS-NOR in, 50 kΩ pull-down res.	-	16/9
FIUA	Input buffer, CMOS-NOR in, 50 kΩ pull-up res.	-	16/9
FIWA	Input buffer, CMOS-NOR in, 5 kΩ pull-up res.	-	16/9
FISA	Input buffer, CMOS-Schmitt NOR in	-	32/19
FDSA	Input buffer, CMOS-Schmitt NOR in, 50 kΩ pull-down res.	-	32/19
FUSA	Input buffer, CMOS-Schmitt NOR in, 50 kΩ pull-up res.	-	32/19
FWSA	Input buffer, CMOS-Schmitt NOR in, 5 kΩ pull-up res.	-	32/19
FI0B	Input buffer, TTL NOR in	-	16/8
FIDB	Input buffer, TTL NOR in, 50 kΩ pull-down res.	-	16/8
FIUB	Input buffer, TTL NOR in, 50 kΩ pull-up res.	-	16/8
FIWB	Input buffer, TTL NOR in, 5 kΩ pull-up res.	-	16/8
<b>Output Buffers</b>			
FO01	Output buffer, CMOS out	4	8/5
FO02	Output buffer, CMOS out	8	16/9
FO03	Output buffer, CMOS out	12	16/9
FT01	Output buffer, TTL out	6	16/10

Block Name	Description	I <sub>OL</sub> (mA)	Area <sup>1</sup> (grids)
<b>Output Buffers (Cont.)</b>			
B007	Output buffer, CMOS 3-state out	8	24/15
B0D7	Output buffer, CMOS 3-state out, 50 kΩ pull-down res.	8	24/15
B0U7	Output buffer, CMOS 3-state out, 50 kΩ pull-up res.	8	24/15
B0W7	Output buffer, CMOS 3-state out, 5 kΩ pull-up res.	8	24/15
B008	Output buffer, CMOS 3-state out	4	20/12
B0D8	Output buffer, CMOS 3-state out, 50 kΩ pull-down res.	4	20/12
B0U8	Output buffer, CMOS 3-state out, 50 kΩ pull-up res.	4	20/12
B0W8	Output buffer, CMOS 3-state out, 5 kΩ pull-up res.	4	20/12
B009	Output buffer, CMOS 3-state out	12	24/15
B0D9	Output buffer, CMOS 3-state out, 50 kΩ pull-down res.	12	24/15
B0U9	Output buffer, CMOS 3-state out, 50 kΩ pull-up res.	12	24/15
B0W9	Output buffer, CMOS 3-state out, 5 kΩ pull-up res.	12	20/15
B00A	Output buffer, TTL in, TTL 3-state out	6	32/20
B0UA	Output buffer, TTL in, TTL 3-state out, 50 kΩ pull-up res.	6	32/20
B0WA	Output buffer, TTL in, TTL 3-state out, 5 kΩ pull-up res.	6	32/20
BT08	Output buffer, TTL 3-state out	6	20/13
BTU8	Output buffer, TTL 3-state out, 50 kΩ pull-up res.	6	20/13
BTW8	Output buffer, TTL 3-state out, 50 kΩ pull-up res.	6	20/13
<b>Open Drain Output Buffers</b>			
EXT1	Output buffer, N-ch open drain	4	8/4
EXT3	Output buffer, N-ch open drain, 50 kΩ pull-up res.	4	8/4
EXW3	Output buffer, N-ch open drain, 5 kΩ pull-up res.	4	8/4
EXT2	Output buffer, P-ch open drain	*-2	8/4
EXT4	Output buffer, P-ch open drain, 50 kΩ pull-up res.	*-2	8/4
EXTA	Output buffer, P-ch	*-4	12/7
EXTC	Output buffer, P-ch open drain	*-4	12/7
EXT6	Output buffer, P-ch open drain, 50 kΩ pull-up res.	*-6	12/7
EXT8	Output buffer, P-ch open drain, 50 kΩ pull-down res.	*-6	12/7
EXT5	Output buffer, N-ch open drain	12	12/7
EXT7	Output buffer, N-ch open drain, 50 kΩ pull-up res.	12	12/7
EXW7	Output buffer, N-ch open drain, 5 kΩ pull-up res.	12	12/7
EXT9	Output buffer, N-ch open drain,	8	12/7
EXTB	Output buffer, N-ch open drain, 50 kΩ pull-up res.	8	12/7
EXWB	Output buffer, N-ch open drain, 5 kΩ pull-up res.	8	12/7
<b>Bi-directional I/O Buffers</b>			
B001	I/O buffer, CMOS in, CMOS 3-state out	8	36/21
B0D1	I/O buffer, CMOS in, CMOS 3-state out, 50 kΩ pull-down res.	8	36/21
B0U1	I/O buffer, CMOS in, CMOS 3-state out, 50 kΩ pull-up res.	8	36/21
B0W1	I/O buffer, CMOS in, CMOS 3-state out, 5 kΩ pull-up res.	8	36/21
B002	I/O buffer, TTL in, CMOS 3-state out	8	36/22
B0D2	I/O buffer, TTL in, CMOS 3-state out, 50 kΩ pull-down res.	8	36/22

Note (1): Grids shown are for FT/HD types respectively; \* indicates I<sub>OH</sub>

Block Name	Description	I <sub>OL</sub> (mA)	Area <sup>1</sup> (grids)
<b>Interface Blocks (Cont.)</b>			
<b>Bi-directional I/O Buffers (Cont.)</b>			
B0U2	I/O buffer, TTL in, CMOS 3-state out, 50 kΩ pull-up res.	8	36/22
B0W2	I/O buffer, TTL in, CMOS 3-state out, 5 kΩ pull-up res.	8	36/22
B003	I/O buffer, CMOS in, CMOS 3-state out	4	32/18
B0D3	I/O buffer, CMOS in, CMOS 3-state out, 50 kΩ pull-down res.	4	32/18
B0U3	I/O buffer, CMOS in, CMOS 3-state out, 50 kΩ pull-up res.	4	32/18
B0W3	I/O buffer, CMOS in, CMOS 3-state out, 5 kΩ pull-up res.	4	32/18
B004	I/O buffer, TTL in, CMOS 3-state out	4	32/19
B0D4	I/O buffer, TTL in, CMOS 3-state out, 50 kΩ pull-down res.	4	32/19
B0U4	I/O buffer, TTL in, CMOS 3-state out, 50 kΩ pull-up res.	4	32/19
B0W4	I/O buffer, TTL in, CMOS out, 5 kΩ pull-up res.	4	32/19
B005	I/O buffer, CMOS in, CMOS 3-state out	12	36/21
B0D5	I/O buffer, CMOS in, CMOS 3-state out, 50 kΩ pull-down res.	12	36/21
B0U5	I/O buffer, CMOS in, CMOS 3-state out, 50 kΩ pull-up res.	12	36/21
B0W5	I/O buffer, CMOS in, CMOS 3-state out, 5 kΩ pull-up res.	12	36/21
B006	I/O buffer, TTL in, CMOS 3-state out	12	36/22
B0D6	I/O buffer, TTL in, CMOS 3-state out, 50 kΩ pull-down res.	12	36/22
B0U6	I/O buffer, TTL in, CMOS 3-state out, 50 kΩ pull-up res.	12	36/22
B0W6	I/O buffer, TTL in, CMOS 3-state out, 5 kΩ pull-up res.	12	36/22
B00A	I/O buffer, TTL in, TTL 3-state out	6	32/20
B0UA	I/O buffer, TTL in, TTL 3-state out, 50 kΩ pull-up res.	6	32/20
B0WA	I/O buffer, TTL in, TTL 3-state out, 5 kΩ pull-up res.	6	32/20
BG01	I/O buffer, CMOS in, CMOS 3-state out	8	52/31
BGD1	I/O buffer, CMOS in, CMOS 3-state out, 50 kΩ pull-down res.	8	52/31
BGU1	I/O buffer, CMOS in, CMOS 3-state out, 50 kΩ pull-up res.	8	52/31
BGW1	I/O buffer, CMOS in, CMOS 3-state out, 5 kΩ pull-up res.	8	52/31
BG02	I/O buffer, TTL in, CMOS 3-state out	8	60/34
BGD2	I/O buffer, TTL in, CMOS 3-state out, 50 kΩ pull-down res.	8	60/34
BGU2	I/O buffer, TTL in, CMOS 3-state out, 50 kΩ pull-up res.	8	60/34
BGW2	I/O buffer, TTL in, CMOS 3-state out, 5 kΩ pull-up res.	8	60/34
BG03	I/O buffer, CMOS in, CMOS 3-state out	4	48/28
BGD3	I/O buffer, CMOS in, CMOS 3-state out, 50 kΩ pull-down res.	4	48/28

Block Name	Description	Area <sup>1</sup> (grids)
<b>Interface Blocks (Cont.)</b>		
<b>Bi-directional I/O Buffers (Cont.)</b>		
BGU3	I/O buffer, CMOS in, CMOS 3-state out, 50 kΩ pull-up res.	4 48/28
BGW3	I/O buffer, CMOS in, CMOS 3-state out, 5 kΩ pull-up res.	4 56/28
BG04	I/O buffer, TTL in, CMOS 3-state out	4 56/31
BGD4	I/O buffer, TTL in, CMOS 3-state out, 50 kΩ pull-down res.	4 56/31
BGU4	I/O buffer, TTL in, CMOS 3-state out, 50 kΩ pull-up res.	4 56/31
BGW4	I/O buffer, TTL in, CMOS 3-state out, 5 kΩ pull-up res.	4 56/31
BG05	I/O buffer, CMOS in, CMOS 3-state out	12 52/31
BGD5	I/O buffer, CMOS in, CMOS 3-state out, 50 kΩ pull-down res.	12 52/31
BGU5	I/O buffer, CMOS in, CMOS 3-state out, 50 kΩ pull-up res.	12 52/31
BGW5	I/O buffer, CMOS in, CMOS 3-state out, 5 kΩ pull-down res.	12 52/31
BG06	I/O buffer, TTL in, CMOS 3-state out	12 60/34
BGD6	I/O buffer, TTL in, CMOS 3-state out, 50 kΩ pull-down res.	12 60/34
BGU6	I/O buffer, TTL in, CMOS 3-state out, 50 kΩ pull-up res.	12 60/34
BGW6	I/O buffer, TTL in, CMOS 3-state out, 5 kΩ pull-up res.	12 60/34
BG0A	I/O buffer, TTL in, TTL 3-state out	6 56/30
BGUA	I/O buffer, TTL in, TTL 3-state out, 50 kΩ pull-up res.	6 56/30
BGWA	I/O buffer, TTL in, TTL 3-state out, 5 kΩ pull-up res.	6 56/30
BH01	I/O buffer, CMOS Schmitt in, CMOS 3-state out	8 64/37
BHD1	I/O buffer, CMOS Schmitt in, CMOS 3-state out, 50 kΩ pull-down res.	8 64/37
BHU1	I/O buffer, CMOS Schmitt in, CMOS 3-state out, 50 kΩ pull-up res.	8 64/37
BHW1	I/O buffer, CMOS Schmitt in, CMOS 3-state out, 5 kΩ pull-up res.	8 64/37
BH02	I/O buffer, TTL Schmitt in, CMOS 3-state out	8 72/42
BHD2	I/O buffer, TTL Schmitt in, CMOS 3-state out, 50 kΩ pull-down res.	8 72/42
BHU2	I/O buffer, TTL Schmitt in, CMOS 3-state out, 50 kΩ pull-up res.	8 72/42
BHW2	I/O buffer, TTL Schmitt in, CMOS 3-state out, 5 kΩ pull-up res.	8 72/42
BH03	I/O buffer, CMOS Schmitt in, CMOS 3-state out	4 60/34
BHD3	I/O buffer, CMOS Schmitt in, CMOS 3-state out, 50 kΩ pull-down res.	4 60/34
BHU3	I/O buffer, CMOS Schmitt in, CMOS 3-state out, 50 kΩ pull-up res.	4 60/34
BHW3	I/O buffer, CMOS Schmitt in, CMOS 3-state out, 5 kΩ pull-up res.	4 60/34

Note (1): Grids shown are for FT/HD types respectively

Block Name	Description	Area <sup>1</sup> (grids)	
<b>Interface Blocks (Cont.)</b>			
<b>Bi-directional I/O Buffers (Cont.)</b>			
BH04	I/O buffer, TTL Schmitt in, CMOS 3-state out	4	68/39
BHD4	I/O buffer, TTL Schmitt in, CMOS 3-state out, 50 kΩ pull-down res.	4	68/39
BHU4	I/O buffer, TTL Schmitt in, CMOS 3-state out, 50 kΩ pull-up res.	4	68/39
BHW4	I/O buffer, TTL Schmitt in, CMOS 3-state out, 5 kΩ pull-up res.	4	68/39
BH05	I/O buffer, CMOS Schmitt in, CMOS 3-state out	12	64/37
BHD5	I/O buffer, CMOS Schmitt in, CMOS 3-state out, 50 kΩ pull-down res.	12	64/37
BHU5	I/O buffer, CMOS Schmitt in, CMOS 3-state out, 50 kΩ pull-up res.	12	64/37
BHW5	I/O buffer, CMOS Schmitt in, CMOS 3-state out, 5 kΩ pull-up res.	12	64/37
BH06	I/O buffer, TTL Schmitt in, CMOS 3-state out	12	72/42
BHD6	I/O buffer, TTL Schmitt in, CMOS 3-state out, 50 kΩ pull-down res.	12	72/42
BHU6	I/O buffer, TTL Schmitt in, CMOS 3-state out, 50 kΩ pull-up res.	12	72/42
BHW6	I/O buffer, TTL Schmitt in, CMOS 3-state out, 5 kΩ pull-up res.	12	72/42
BH0A	I/O buffer, TTL Schmitt in, TTL 3-state out	6	68/38
BHUA	I/O buffer, TTL Schmitt in, TTL 3-state out, 50 kΩ pull-up res.	6	68/38
BHWA	I/O buffer, TTL Schmitt in, TTL 3-state out, 5 kΩ pull-up res.	6	68/38
BSI1	I/O buffer, CMOS Schmitt in, CMOS 3-state out	8	44/29
BSD1	I/O buffer, CMOS Schmitt in, CMOS 3-state out, 50 kΩ pull-down res.	8	44/29
BSU1	I/O buffer, CMOS Schmitt in, CMOS 3-state out, 50 kΩ pull-up res.	8	44/29
BSW1	I/O buffer, CMOS Schmitt in, CMOS 3-state out, 5 kΩ pull-up res.	8	44/29
BSD2	I/O buffer, TTL Schmitt in, CMOS 3-state out, 50 kΩ pull-down res.	8	52/32
BSI2	I/O buffer, TTL Schmitt in, CMOS 3-state out	8	52/32
BSU2	I/O buffer, TTL Schmitt in, CMOS 3-state out, 50 kΩ pull-up res.	8	52/32
BSW2	I/O buffer, TTL Schmitt in, CMOS 3-state out, 5 kΩ pull-up res.	8	52/32
BSD3	I/O buffer, CMOS Schmitt in, CMOS 3-state out, 50 kΩ pull-down res.	4	40/26
BSI3	I/O buffer, CMOS Schmitt in, CMOS 3-state out	4	40/26
BSU3	I/O buffer, CMOS Schmitt in, CMOS 3-state out, 50 kΩ pull-up res.	4	40/26
BSW3	I/O buffer, CMOS Schmitt in, CMOS 3-state out, 5 kΩ pull-up res.	4	40/26

Block Name	Description	Area <sup>1</sup> (grids)	
<b>Interface Blocks (Cont.)</b>			
<b>Bi-directional I/O Buffers (Cont.)</b>			
BSD4	I/O buffer, TTL Schmitt in, CMOS 3-state out, 50 kΩ pull-down res.	4	48/29
BSI4	I/O buffer, TTL Schmitt in, CMOS 3-state out	4	48/29
BSU4	I/O buffer, TTL Schmitt in, CMOS 3-state out, 50 kΩ pull-up res.	4	48/29
BSW4	I/O buffer, TTL Schmitt in, CMOS 3-state out, 5 kΩ pull-up res.	4	48/29
BSI5	I/O buffer, CMOS Schmitt in, CMOS 3-state out	12	44/29
BSU5	I/O buffer, CMOS Schmitt in, CMOS 3-state out, 50 kΩ pull-up res.	12	44/29
BSD5	I/O buffer, CMOS Schmitt in, CMOS 3-state out, 50 kΩ pull-down res.	12	44/29
BSW5	I/O buffer, CMOS Schmitt in, CMOS 3-state out, 5 kΩ pull-up res.	12	44/29
BSI6	I/O buffer, TTL Schmitt in, CMOS 3-state out	12	52/32
BSU6	I/O buffer, TTL Schmitt in, CMOS 3-state out, 50 kΩ pull-up res.	12	52/32
BSD6	I/O buffer, TTL Schmitt in, CMOS 3-state out, 50 kΩ pull-down res.	12	52/32
BSW6	I/O buffer, TTL Schmitt in, CMOS 3-state out, 5 kΩ pull-up res.	12	52/32
BSIA	I/O buffer, TTL Schmitt in, TTL 3-state out	6	48/30
BSUA	I/O buffer, TTL Schmitt in, TTL 3-state out, 50 kΩ pull-up res.	6	48/30
BSWA	I/O buffer, TTL Schmitt in, TTL 3-state out, 5 kΩ pull-up res.	6	48/30
<b>OR I/O Buffers</b>			
BJ01	OR I/O buffer, CMOS-NOR in, CMOS 3-state out	8	40/24
BJD1	OR I/O buffer, CMOS-NOR in, CMOS 3-state out, 50 kΩ pull-down res.	8	40/24
BJU1	OR I/O buffer, CMOS-NOR in, CMOS 3-state out, 50 kΩ pull-up res.	8	40/24
BJW1	OR I/O buffer, CMOS-NOR in, CMOS 3-state out, 5 kΩ pull-up res.	8	40/24
BJ02	OR I/O buffer, TTL-NOR in, CMOS 3-state out	8	40/23
BJD2	OR I/O buffer, TTL-NOR in, CMOS 3-state out, 50 kΩ pull-down res.	8	40/23
BJU2	OR I/O buffer, TTL-NOR in, CMOS 3-state out, 50 kΩ pull-up res.	8	40/23
BJW2	OR I/O buffer, TTL-NOR in, CMOS 3-state out, 5 kΩ pull-up res.	8	40/23
BJ03	OR I/O buffer, CMOS-NOR in, CMOS 3-state out	4	36/21
BJD3	OR I/O buffer, CMOS-NOR in, CMOS 3-state out, 50 kΩ pull-down res.	4	36/21
BJU3	OR I/O buffer, CMOS-NOR in, CMOS 3-state out, 50 kΩ pull-up res.	4	36/21
BJW3	OR I/O buffer, CMOS-NOR in, CMOS 3-state out, 5 kΩ pull-up res.	4	36/21

Note (1): Grids shown are for FT/HD types respectively.

Block Name	Description	Area <sup>1</sup> (grids)	
<b>Interface Blocks (Cont.)</b>			
<b>OR I/O Buffers (Cont.)</b>			
BJ04	OR I/O buffer, TTL-NOR in, CMOS 3-state out	4	36/20
BJD4	OR I/O buffer, TTL-NOR in, CMOS 3-state out, 50 kΩ pull-down res.	4	36/20
BJU4	OR I/O buffer, TTL-NOR in, CMOS 3-state out, 50 kΩ pull-up res.	4	36/20
BJW4	OR I/O buffer, TTL-NOR in, CMOS 3-state out, 5 kΩ pull-up res.	4	36/20
BJ05	OR I/O buffer, CMOS-NOR in, CMOS 3-state out	12	40/24
BJD5	OR I/O buffer, CMOS-NOR in, CMOS 3-state out, 50 kΩ pull-down res.	12	40/24
BJU5	OR I/O buffer, CMOS-NOR in, CMOS 3-state out, 50 kΩ pull-up res.	12	40/24
BJW5	OR I/O buffer, CMOS-NOR in, CMOS 3-state out, 5 kΩ pull-up res.	12	40/24
BJ06	OR I/O buffer, TTL-NOR in, CMOS 3-state out	12	40/23
BJD6	OR I/O buffer, TTL-NOR in, CMOS 3-state out, 50 kΩ pull-down res.	12	40/23
BJU6	OR I/O buffer, TTL-NOR in, CMOS 3-state out, 50 kΩ pull-up res.	12	40/23
BJW6	OR I/O buffer, TTL-NOR in, CMOS 3-state out, 5 kΩ pull-up res.	12	40/23
BJ0A	OR I/O buffer, TTL-NOR in, CMOS 3-state out	6	36/21
BJUA	OR I/O buffer, TTL-NOR in, CMOS 3-state out, 50 kΩ pull-up res.	6	36/21
BJWA	OR I/O buffer, TTL-NOR in, CMOS 3-state out, 5 kΩ pull-up res.	6	36/21
BK01	OR I/O buffer, CMOS-NOR-Schmitt in, CMOS 3-state out	8	56/34
BKD1	OR I/O buffer, CMOS-NOR-Schmitt in, CMOS 3-state out, 50 kΩ pull-down res.	8	56/34
BKU1	OR I/O buffer, CMOS-NOR-Schmitt in, CMOS 3-state out, 50 kΩ pull-up res.	8	56/34
BKW1	OR I/O buffer, CMOS-NOR-Schmitt in, CMOS 3-state out, 5 kΩ pull-up res.	8	56/34
BK02	OR I/O buffer, TTL-NOR-Schmitt in, CMOS 3-state out	8	60/37
BKD2	OR I/O buffer, TTL-NOR-Schmitt in, CMOS 3-state out, 50 kΩ pull-down res.	8	60/37
BKU2	OR I/O buffer, TTL-NOR-Schmitt in, CMOS 3-state out, 50 kΩ pull-up res.	8	60/37
BKW2	OR I/O buffer, TTL-NOR-Schmitt in, CMOS 3-state out, 5 kΩ pull-up res.	8	60/37

Block Name	Description	Area <sup>1</sup> (grids)	
<b>Interface Blocks (Cont.)</b>			
<b>OR I/O Buffers (Cont.)</b>			
BK03	OR I/O buffer, CMOS-NOR-Schmitt in, CMOS 3-state out	4	52/31
BKD3	OR I/O buffer, CMOS-NOR-Schmitt in, CMOS 3-state out, 50 kΩ pull-down res.	4	52/31
BKU3	OR I/O buffer, CMOS-NOR-Schmitt in, CMOS 3-state out, 50 kΩ pull-up res.	4	52/31
BKW3	OR I/O buffer, CMOS-NOR-Schmitt in, CMOS 3-state out, 5 kΩ pull-up res.	4	52/31
BK04	OR I/O buffer, TTL-NOR-Schmitt in, CMOS 3-state out	4	56/34
BKD4	OR I/O buffer, TTL-NOR-Schmitt in, CMOS 3-state out, 50 kΩ pull-down res.	4	56/34
BKU4	OR I/O buffer, TTL-NOR-Schmitt in, CMOS 3-state out, 50 kΩ pull-up res.	4	56/34
BKW4	OR I/O buffer, TTL-NOR-Schmitt in, CMOS 3-state out, 5 kΩ pull-up res.	4	56/34
BK05	OR I/O buffer, CMOS-NOR-Schmitt in, CMOS 3-state out	12	56/34
BKD5	OR I/O buffer, CMOS-NOR-Schmitt in, CMOS 3-state out, 50 kΩ pull-down res.	12	56/34
BKU5	OR I/O buffer, CMOS-NOR-Schmitt in, CMOS 3-state out, 50 kΩ pull-up res.	12	56/34
BKW5	OR I/O buffer, CMOS-NOR-Schmitt in, CMOS 3-state out, 5 kΩ pull-up res.	12	56/34
BK06	OR I/O buffer, TTL-NOR-Schmitt in, CMOS 3-state out	12	60/37
BKD6	OR I/O buffer, TTL-NOR-Schmitt in, CMOS 3-state out, 50 kΩ pull-down res.	12	60/37
BKU6	OR I/O buffer, TTL-NOR-Schmitt in, CMOS 3-state out, 50 kΩ pull-up res.	12	60/37
BKW6	OR I/O buffer, TTL-NOR-Schmitt in, CMOS 3-state out, 5 kΩ pull-up res.	12	60/37
BK0A	OR I/O buffer, TTL-NOR-Schmitt in, CMOS 3-state out	6	56/35
BKUA	OR I/O buffer, TTL-NOR-Schmitt in, CMOS 3-state out, 50 kΩ pull-up res.	6	56/35
BKWA	OR I/O buffer, TTL-NOR-Schmitt in, CMOS 3-state out, 5 kΩ pull-up res.	6	56/35

Note (1): Grids shown are for FT/HD types respectively.

Block Name	Description	Area <sup>1</sup> (grids)	Block Name	Description	Area <sup>1</sup> (grids)
<b>Function Blocks - Normal Power</b>			<b>Function Blocks - Normal Power (Cont)</b>		
<b>Inverters</b>			<b>AND Gates</b>		
F101	Inverter (F/O = 25) (FT)	4/3	F312	2-input AND	8/5
F102	Inverter (F/O = 25) (FT)	8/5	F313	3-input AND	12/6
F103SD	Inverter (x3)	-/1	F314	4-input AND	12/7
F104SD	Inverter (x4)		F315	5-input AND	-/8
F108SD	Inverter (x5)				
<b>Buffers</b>			F316	6-input AND	-/9
F111	Non-inverting buffer (F/O = 25) (FT)	8/5	F332	2-input AND, power	12/7
F112	Non-inverting buffer (F/O = 51) (FT)	12/7	F333	3-input AND, power	16/8
F113SD	Non-inverting buffer	-/9	F334	4-input AND, power	16/9
F114SD	Non-inverting buffer		<b>AND-NOR Gates</b>		
F118SD	Non-inverting buffer		F421	2-wide 1-2-input AND-OR inverter	12/7
<b>Delays</b>			F422	3-wide 1-1-2-input AND-OR inverter	16/10
F131	Delay gate	24/13	F423	2-wide 1-3-input AND-OR inverter	16/9
F132	Delay gate	40/22	F424	2-wide 2-2-input AND-OR inverter	16/9
<b>NOR Gates</b>			F425	3-wide 2-2-2-input AND-OR inverter	24/14
F202	2-input NOR	8/5	F426	2-wide 3-3-input AND-OR inverter	24/13
F203	3-input NOR	12/7	F429	4-wide 2-2-2-input AND-OR inverter	32/18
F204	4-input NOR	16/10	F442	2-wide 4-4 input AND-OR inverter	32/17
F205	5-input NOR	-/11	F462	3-wide 1-2-3 input AND-OR inverter	24/14
F206	6-input NOR	-/12	<b>OR-NAND Gates</b>		
F208	8-input NOR	24/18	F431	2-wide 1-2-input OR-AND inverter	12/7
F222	2-input NOR, power	16/9	F432	3-wide 1-1-2-input OR-AND inverter	16/10
F223	3-input NOR, power	24/13	F433	2-wide 1-3-input OR-AND inverter	16/9
F224	4-input NOR, power	32/17	F434	2-wide 2-2-input OR-AND inverter	16/9
<b>OR Gates</b>			F435	2-wide 2-3-input OR-AND inverter	20/11
F212	2-input OR	8/5	F436	2-wide 3-3-input OR-AND inverter	24/13
F213	3-input OR	12/6	F454	4-wide 2-2-2-input OR-AND inverter	32/18
F214	4-input OR	12/7	<b>Parity Generators</b>		
F215	5-input OR	-/8	F581	8-bit odd parity generator	76/48
F216	6-input OR	-/9	F582	8-bit even parity generator	76/48
F232	2-input OR, power	12/7	<b>EX-OR Gate</b>		
F233	3-input OR, power	16/8	F511	Exclusive-OR	16/9
F234	4-input OR, power	16/9	<b>EX-NOR Gate</b>		
<b>NAND Gates</b>			F512	Exclusive-NOR	16/9
F302	2-input NAND	8/5	<b>Adders</b>		
F303	3-input NAND	12/7	F521	1-bit full-adder	36/24
F304	4-input NAND	16/9	F523	4-bit binary full-adder	128/89
F305	5-input NAND	20/11	<b>Buffers</b>		
F306	6-input NAND	20/12	F531	3-state buffer with Enable	20/11
F308	8-input NAND	24/14	F532	3-state buffer with Enable low	20/11
F322	2-input NAND, power	16/9	F533	3-state buffer	36/14
F323	3-input NAND, power	24/13	<b>Decoders</b>		
F324	4-input NAND, power	32/17	F561	2-to-4 decoder	40/24
			F981	2-to-4 decoder with Enable low	52/31
			F982	3-to-8 decoder with Enable low	104/60

Note (1): Grids shown are for FT/HD types respectively.

Block Name	Description	Area <sup>1</sup> (grids)
<b>Function Blocks - Normal Power (Cont.)</b>		
<b>Shift Registers</b>		
F911	4-bit shift register with Reset	136/75
F912	4-bit serial/parallel shift register	144/80
F913	4-bit parallel shift register with Reset low, Load	160/92
F914	4-bit shift register	112/61
<b>Multiplexers</b>		
F565	2-to-1 multiplexer (no enable/high drive)	-/9
F564	4-to-1 multiplexer (no enable/high drive)	-/18
F563	8-to-1 multiplexer (no enable/high drive)	-/33
L655	2-to-1 multiplexer (no enable/low drive)	-/7
F569	8-to-1 multiplexer	72/46
F570	4-to-1 multiplexer	36/27
F571	2-to-1 multiplexer	20/16
F572	Quad 2-to-1 multiplexer	76/35
<b>Latches</b>		
F595	R-S latch	20/14
F601	D-latch	24/14
F602	D-latch with Reset	24/15
F603	D-latch with Reset low	28/16
F604	D-latch with G driver low	24/14
F605	D-latch with G low, Reset low	28/16
F901	4-bit D-latch	80/45
F902	8-bit D-latch	152/85
<b>Flip-Flops</b>		
F596	Synchronous R-S F/F with Set-Reset	44/28
F611	D-F/F	32/18
F614	D-F/F with Set-Reset	40/24
F617	D-F/F with Set-Reset low	40/24
F631	D-F/F C low	32/18
F637	D-F/F C low with Set-Reset low	40/24
F641	D-F/F, buffered	32/22
F644	D-F/F with Set-Reset, buffered	40/28
F647	D-F/F with Set-Reset low, buffered	40/28
F661	D-F/F C low, buffered	32/22
F667	D-F/F C low with Set-Reset low, buffered	40/28
F714	Toggle F/F with Set-Reset	36/23
F717	Toggle F/F with Set-Reset low	36/23
F737	Toggle low F/F with Set-Reset low	36/23
F744	Toggle F/F with Set-Reset, buffered	36/27
F747	Toggle F/F with Set-Reset low, buffered	36/27
F767	Toggle low F/F with Set-Reset low, buffered	36/27
F771	J-K F/F, buffered	40/24
F774	J-K F/F with Set-Reset, buffered	48/30
F777	J-K F/F with Set-Reset low, buffered	48/30

Block Name	Description	Area <sup>1</sup> (grids)
<b>Function Blocks - Normal Power (Cont.)</b>		
<b>Flip-Flops (Cont.)</b>		
F781	J-K F/F C low, buffered	40/24
F787	J-K F/F C low with Set-Reset low, buffered	48/30
F791	Toggle F/F with Set-Reset and Toggle Enable	48/30
F792	Toggle low F/F with Set-Reset and Toggle Enable low	48/30
F922	4-bit D-F/F with Reset	136/75
F924	4-bit D-F/F	112/61
F615	D-F/F with RB	-/21
F616	D-F/F with SB	-/22
F651	D-F/F with 2-to-1 Data Selector	-/23
F655	D-F/F with 2-to-1 Data Selector and RB	-/29
F656	D-F/F with 2-to-1 Data Selector and SB	-/30
S999	2-to-1 Data Selector (Scan path)	-/10
S002	D-F/F (Scan path)	-/7
S004	D-F/F with RB (Scan path)	-/28
S005	D-F/F with SB (Scan path)	-/29
S052	D-F/F with Hold (Scan path)	-/25
<b>Counters</b>		
F961	4-bit synchronous binary counter with Reset low, buffered	240/158
F962	4-bit synchronous binary up counter with Reset low	152/102
<b>Comparator</b>		
F985	4-bit magnitude comparator	128/82
<b>Oscillator Blocks</b>		
OSCB1	(32 KHz typ)	TBA
OSCB2	(2 MHz typ)	TBA
OSCB3	(4 MHz typ)	TBA
OSCB4	(8 MHz typ)	TBA
OSCB5	(16 MHz typ)	TBA
OSCB6	(32 MHz typ, 50 MHz max)	TBA
<b>Miscellaneous</b>		
F091	H, L level Generator	
<b>Clock Drivers</b>		
FCK1	Clock driver (x1)	-/228
FCK2	Clock driver (x2)	-/540
FCK3	Clock driver (x3)	-/693
FCK4	Clock driver (x5)	-/1169

Note (1): Grids shown are for FT/HD types respectively.



Block Name	Description	Area <sup>1</sup> (grids)	Block Name	Description	Area <sup>1</sup> (grids)
<b>Function Blocks - Low Power</b>			<b>Function Blocks - Low Power (Cont.)</b>		
<b>Inverters</b>			<b>Exclusive-OR</b>		
L101	(F/O = 25) (FT)	4/2	L511	EX-OR	12/8
<b>Buffers</b>			<b>Exclusive-NOR</b>		
L111	Non-inverting buffer (F/O = 25) (FT)	4/3	L512	EX-NOR	12/8
<b>NOR Gates</b>			<b>Decoder</b>		
L202	2-input NOR	4/3	L561	2-to-4 Decoder	24/17
L203	3-input NOR	8/4	L981	2-to-4 Decoder with Enable	68/42
L204	4-input NOR	8/5	L982	3-to-8 Decoder with Enable	68/42
<b>OR Gates</b>			<b>Multiplexer</b>		
L212	2-input OR	8/4	L571	2-to-1 Multiplexer	16/10
L213	3-input OR	8/5	L572	Quad 2-to-1 Multiplexer	40/27
L214	4-input OR	12/6	<b>Latches</b>		
<b>NAND Gates</b>			L901	4-Bit Latch	48/33
L302	2-Input NAND	4/3	L902	8-Bit Latch	88/61
L303	3-Input NAND	8/4	<b>Shift Registers</b>		
L304	4-Input NAND	8/5	L911	4-Bit Shift Register with Reset	104/60
L305	5-Input NAND	12/6	L912	4-Bit Serial/Parallel Shift Register	112/60
L306	6-Input NAND	8/7	L913	4-Bit Parallel in Shift Register with Reset Low	128/80
<b>AND Gates</b>			<b>Flip Flops</b>		
L312	2-Input AND	8/4	L922	4-Bit D-F/F with Reset	104/63
L313	3-Input AND	8/5	L924	4-Bit D-F/F	80/49
L314	4-Input AND	12/6	<b>Megafunctions</b>		
<b>AND-NOR Gates</b>			70108H <sup>1</sup>	V20HL 8-bit Microprocessor	73,367
L421	2-Wide, 1-2-Input AND-OR Inverter	8/4	70116H <sup>1</sup>	V30HL 16-bit Microprocessor	73,367
L422	3-Wide 1-1-2-Input AND-OR Inverter	8/5	78350 <sup>1</sup>	78K3 16-bit Microprocessor	104,910
L423	2-Wide, 1-3-Input AND-OR Inverter	8/5	70008A <sup>1</sup>	Z80 8-bit Microprocessor	40,300
L424	2-Wide, 2-2-Input AND-OR Inverter	8/5	80C42 <sup>2</sup>	NA80C42H Keyboard Controller	31,700/6848
L425	3-Wide, 2-2-2-Input AND-OR Inverter	12/8	72020	NA72020 Graphics Display Controller	78,600
L426	2-Wide, 3-3-Input AND-OR Inverter	12/7	72065B <sup>1</sup>	765 Floppy Disk Controller	78,580
L429	4-Wide, 2-2-2-2-Input AND-OR Inverter	16/10	71037	8237A Programmable DMA Controller	31,780
L442	2-Wide, 4-4-Input AND-OR Inverter	12/9	71051	8251A USART	17,750
L462	3-Wide, 1-2-3-Input AND-OR Inverter	12/8	71054	8254 Interval Timer	13,549
<b>OR-NAND Gates</b>			71055	8255A Peripheral Interface	9,540
L431	2-Wide, 1-2-Input OR-AND Inverter	8/4	71059	8259A Interrupt Controller	5,800
L432	3-Wide, 1-1-2-Input OR-AND Inverter	8/5	4991A	Real Time Clock	20,495
L433	2-Wide, 1-3-Input OR-AND Inverter	8/5			
<b>OR-AND Gates</b>					
L434	2-Wide, 2-2-Input OR-AND Inverter	8/5			
L435	2-Wide, 2-3-Input OR-AND Inverter	12/6			
L436	2-Wide, 3-3-Input OR-AND Inverter	12/7			
L454	4-Wide, 2-2-2-2-Input OR-AND Inverter	16/10			

Note (1): Grids shown are for FT/HD types respectively.

<sup>1</sup> Grid sizes based on hard megamacro, others are soft

<sup>2</sup> 80C42H with/without internal ROM program memory

**Publications**

This data sheet contains preliminary specifications, package information, and operational data for the CB-C7 cell-based CMOS ASIC. Additional design information is available in NEC's CB-C7 Block Library and CB-C7 Design Manual. Contact your local NEC ASIC Design Center or the NEC Literature Center for availability and further ASIC design information; see the back of this data sheet for locations and phone numbers.

Notes:

## NEC ASIC DESIGN CENTERS

### WEST

- 401 Ellis Street  
P.O. Box 7241  
Mountain View, CA 94039  
TEL 415-965-6533  
FAX 415-965-6788
- One Embassy Centre  
9020 S.W. Washington Square Road,  
Suite 400  
Tigard, OR 97223  
TEL 503-671-0177  
FAX 503-643-5911

### SOUTH CENTRAL/SOUTHEAST

- 16475 Dallas Parkway, Suite 380  
Dallas, TX 75248  
TEL 972-250-4522  
FAX 972-931-8680
- Research Triangle Park  
2000 Regency Parkway, Suite 455  
Cary, NC 27511  
TEL 919-460-1890  
FAX 919-469-5926

### NORTH CENTRAL/NORTHEAST

- One Natick Executive Park  
Natick, MA 01760  
TEL 508-655-8833  
FAX 508-653-2915
- Greenspoint Tower  
2800 W. Higgins Road, Suite 765  
Hoffman Estates, IL 60195  
TEL 708-519-3945  
FAX 708-882-7564

## THIRD-PARTY DESIGN CENTERS

### SOUTH CENTRAL/SOUTHEAST

- Koos Technical Services, Inc.  
385 Commerce Way, Suite 101  
Longwood, FL 32750  
TEL 407-260-8727  
FAX 407-260-6227
- Integrated Silicon Systems Inc.  
2222 Chapel Hill Nelson Highway  
Durham, NC 27713  
TEL 919-361-5814  
FAX 919-361-2019

---

# NEC

## NEC Electronics Inc.

### CORPORATE HEADQUARTERS

2880 Scott Boulevard  
P. O. Box 58062  
Santa Clara, CA 95052  
TEL 408-588-6000

For literature, call toll-free 7 a.m. to 6 p.m. Pacific time:

**1-800-366-9782**

or FAX your request to: **1-800-729-9288**

---

No part of this document may be copied or reproduced in any form or by any means without the prior written consent of NEC Electronics Inc. (NECEL). The information in this document is subject to change without notice. ALL DEVICES SOLD BY NECEL ARE COVERED BY THE PROVISIONS APPEARING IN NECEL TERMS AND CONDITIONS OF SALES ONLY. INCLUDING THE LIMITATION OF LIABILITY, WARRANTY, AND PATENT PROVISIONS. NECEL makes no warranty, express, statutory, implied or by description, regarding information set forth herein or regarding the freedom of the described devices from patent infringement. NECEL assumes no responsibility for any errors that may appear in this document. NECEL makes no commitments to update or to keep current information contained in this document. The devices listed in this document are not suitable for use in applications such as, but not limited to, aircraft control systems, aerospace equipment, submarine cables, nuclear reactor control systems and life support systems. "Standard" quality grade devices are recommended for computers, office equipment, communication equipment, test and measurement equipment, machine tools, industrial robots, audio and visual equipment, and other consumer products. For automotive and transportation equipment, traffic control systems, anti-disaster and anti-crime systems, it is recommended that the customer contact the responsible NECEL salesperson to determine the reliability requirements for any such application and any cost adder. NECEL does not recommend or approve use of any of its products in life support devices or systems or in any application where failure could result in injury or death. If customers wish to use NECEL devices in applications not intended by NECEL, customer must contact the responsible NECEL sales people to determine NECEL's willingness to support a given application.