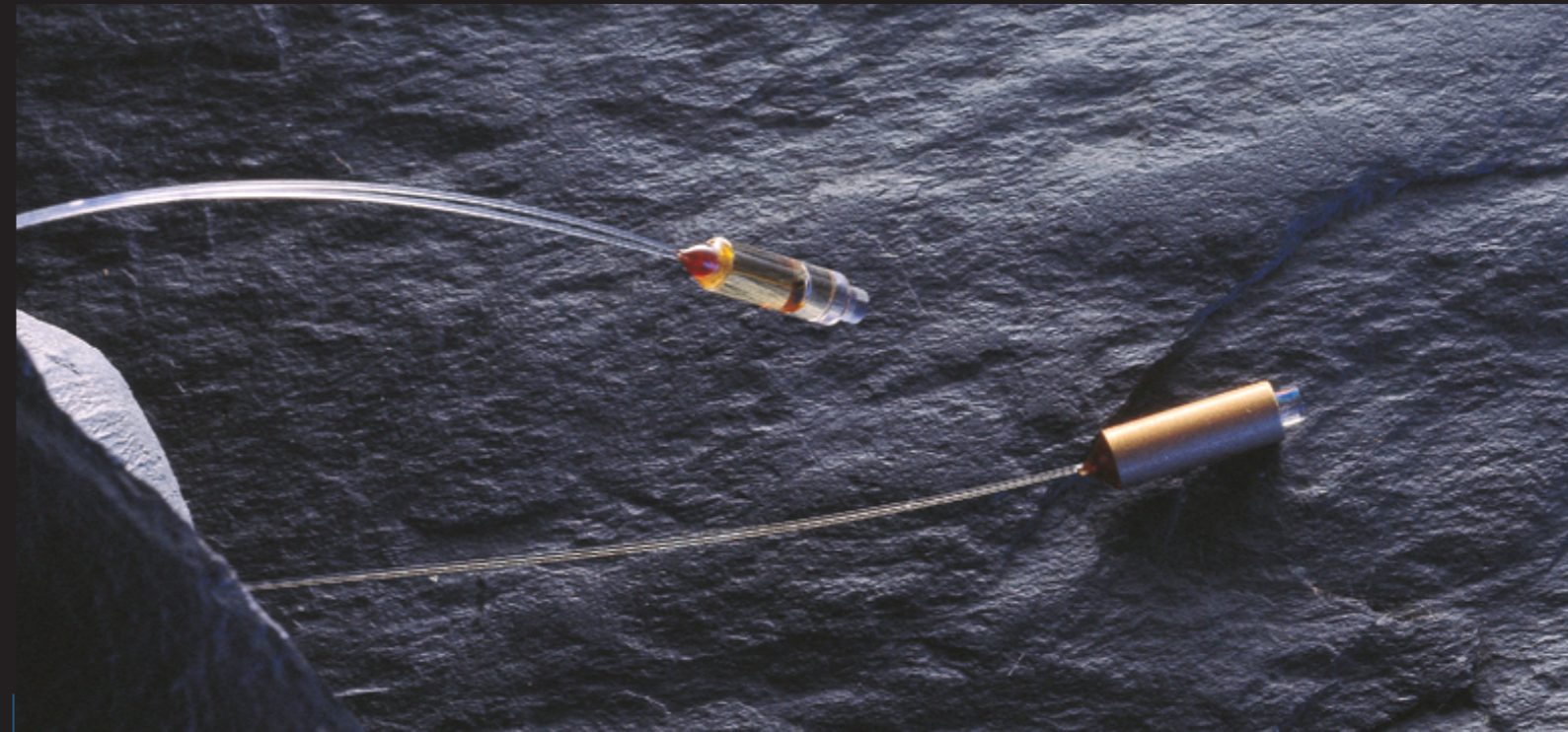


1310, 1550

Dual Fiber Collimator

E03-0002-1.3



DESCRIPTION

Browave provides high quality Fiber Collimators. It collimates beam from fiber tip, or couples a collimated beam to single mode fiber. The highly reliable fiber collimators with the low insertion loss and high return loss. Browave produces a variety of standard and OEM fiber collimators.

FEATURES

- ▶▶ Low insertion loss
- ▶▶ High return loss
- ▶▶ Compact size
- ▶▶ Optical path epoxy free
- ▶▶ Environmentally stable
- ▶▶ Bellcore compliant

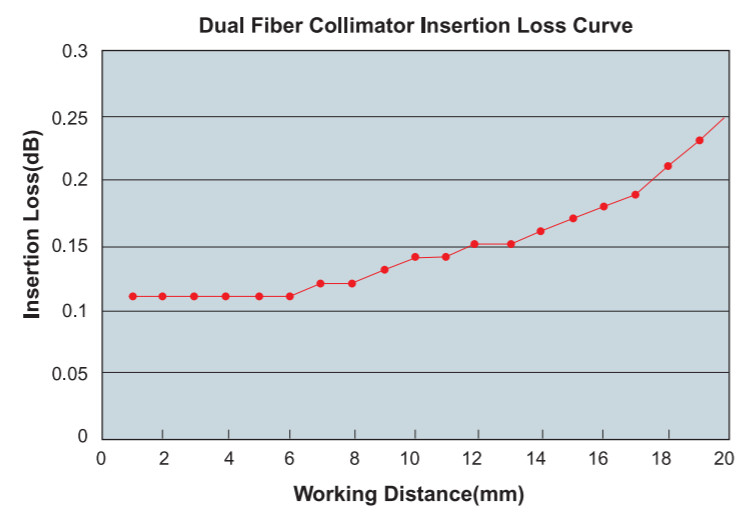
APPLICATIONS

- ▶▶ DWDM
- ▶▶ Circulators
- ▶▶ Optical Switches
- ▶▶ Hybrid Isolators
- ▶▶ Measurement Systems
- ▶▶ Signal Processing

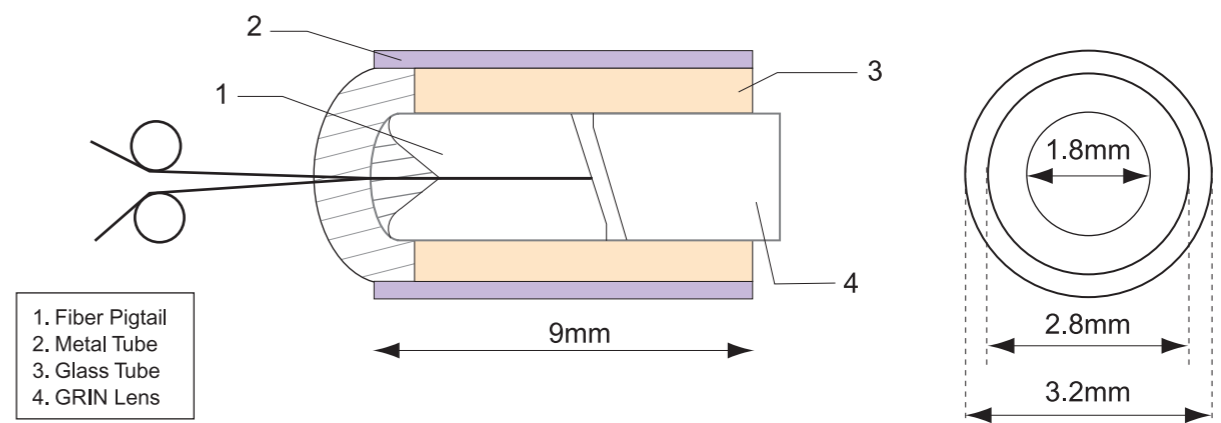
SPECIFICATIONS

Parameter	Grade A	Grade B
Central wavelength (CW)	1310 nm or 1550 nm	
Minimum Spectral Bandwidth	±40 nm	
Typical Insertion Loss	0.21 dB	0.26dB
Maximum Insertion Loss	0.25 dB	0.30 dB
Typical Return Loss	65 dB	65 dB
Minimum Return Loss	60 dB	60 dB
Maximum Optical Power	300 mW	
Maximum Tensile Load	5 N	
Operating Temperature	-20°C to + 75°C	
Storage Temperature	-40°C to + 85°C	

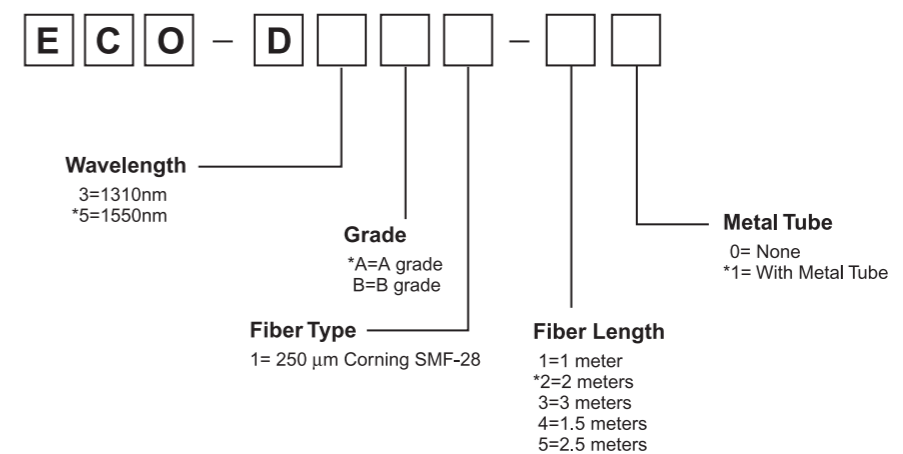
INERSTION LOSS



SPECTRUM



ORDERING INFORMATION



*Standard Product