

DWDM, 200 GHz, 4-Channel MUX / DEMUX



Application

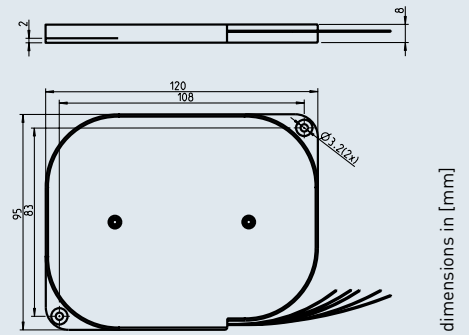
- Demultiplexing (or multiplexing) of 4 DWDM channels, spaced 200 GHz.



Features

- 200 GHz channel spacing
- High channel isolation, low insertion loss
- Compact package, robust design
- Full ITU-T C- and L-band available
- Wide operating temperature range 0°C to +70°C
- Epoxy free lightpath
- Tested to Telcordia GR-1221-CORE
- Customization possible

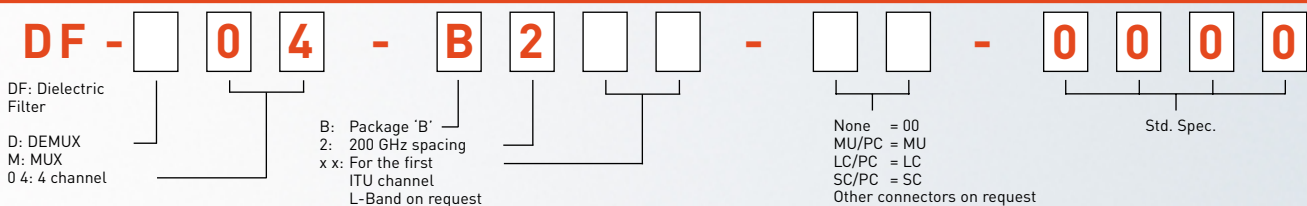
DWDM, 200 GHz, 4-Channel MUX / DEMUX Technical Specifications



Parameter

Number of Channels	4	
Channel Spacing [GHz]	200 (1.6 nm)	
Central Wavelength	C- and L-band, ITU-T Grid	
Channel Passband [nm]	± 0.25	
Insertion Loss, typ., w/o Connector [dB]	2.0	
Insertion Loss, max., w/o Connector [dB]	2.5	
Isolation (adjacent channels) [dB]	MUX > 20	DEMUX > 25
Isolation (non-adjacent channels) [dB]	MUX > 30	DEMUX > 40
Directivity [dB]	> 60	
Optical Return Loss [dB]	> 40	
Passband Flatness (Ripple) [dB]	< 0.5	
Channel Uniformity (@ Central Wavelength) [dB]	< 1.5	
Polarization Dependent Loss [dB]	< 0.1	
Polarization Mode Dispersion [ps]	< 0.1	
Thermal Stability (insertion loss) [dB/°C]	< 0.006	
Thermal Wavelength Drift [TWD] [pm/°C]	0.7 < TWD < 2.5	
Optical Power (max.) [mW]	250	
Tensile Load (max.) [N]	5	
Operating Temperature [°C]	0 to +70	
Storage Temperature [°C]	-40 to +85	
Fiber Type	900 micron, tight buffer	
Fiber Length [m]	1.0 ± 0.1	
Package Dimension [mm]	120 x 95 x 8	

Ordering Information



Wavelength Table (Ordering Example)

Full Part Number (for DEMUX with MU connector)	Start ITU channel	Start Wavelength (nm)	DEMUX / MUX Channels
DF-D04-B221-MU-0000	21	1560.61	21, 23, 25, 27
DF-D04-B253-MU-0000	53	1535.04	53, 55, 57, 59