

# ATTENUATORS

## TNC

up to 6 GHz  
100 Watts



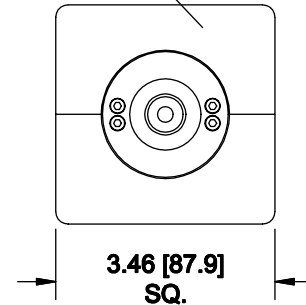
MODELS: XT100W-XX, XT100W-XXF & XT100W-XXM

### SPECIFICATIONS:

#### Electrical:

Frequency Range	DC - 6.0 GHz		
Standard Freq. Values	1.5, 3 & 6 GHz		
Standard dB Values	1, 3, 6, 10, 20, 30 & 40* dB		
Attenuation Accuracy	DC - 1.5 GHz	1.5 - 3 GHz	3 - 6 GHz
1 - 6 dB	±0.50 dB	±0.50 dB	±0.75 dB
10 - 40 dB	±0.50 dB	±0.75 dB	±1.0 dB
VSWR (Max.)	1.15:1	1.25:1	1.35:1
Input Power	100 Watts Avg.		
	Derated Linearly to 20 Watts @ +125°C.		
Output Power	20 Watts Avg.		
Peak Power	5 kW Max.		
	(5uSec Pulse, .05% Duty Cycle)		
Impedance	50 Ohms		
Operating Temp Range	-54°C to +125°C		

Custom Mtg. hole Config.  
may be Added to this  
Surface



END VIEW  
TYPICAL

#### Mechanical:

TNC Connectors **	Passivated Stainless Steel
Mates with MIL-STD-348	
Conductors	Gold Plated Beryllium Copper
Housing	Anodized Aluminum

\*40 dB Units are only available up to 4 GHz  
\*\* TNC Connectors are 18 GHz Mode Free.

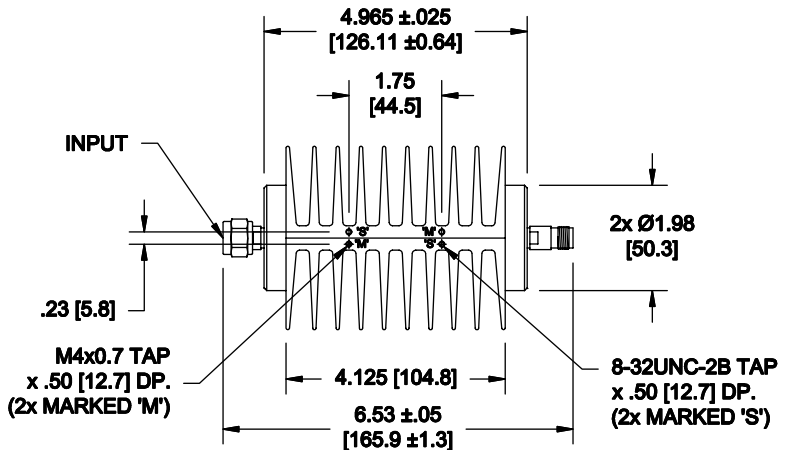
Units must be Mounted in such a way as to  
Allow for Free Air Flow Around fins to Assure  
Performance

Note: Units are Unidirectional, Therefore Input Connector MUST be specified & will be Indicated on Unit

Model Number: **XT100W-XX**  
Male/Female Connectors  
Length: 6.53 ±.05 [165.9 ±1.3]  
Pictured

Model Number: **XT100W-XXF**  
Female/Female Connectors  
Length: 6.62 ±.05 [168.1 ±1.3]

Model Number: **XT100W-XXM**  
Male/Male Connectors  
Length: 6.43 ±.05 [163.3 ±1.3]



### HOW TO ORDER:

Model Number: **XT100W-XXY**

Freq. Range  
1 = DC - 1.5 GHz  
3 = DC - 3 GHz  
6 = DC - 6 GHz

Connector Configuration  
= Male/Female  
F = Fem/Fem  
M = Male/Male  
dB Value

#### Ordering Examples:

Model Number: **1T100W-1**  
DC - 1.5 GHz, 1 dB; TNC - Male/Fem

Model Number: **3T100W-3F**  
DC - 3 GHz, 3 dB; TNC - Fem/Fem

Model Number: **6T100W-20M**  
DC - 6 GHz, 20 dB; TNC - Male/Male

Note: Dimensions in Brackets are Expressed in Millimeters and are for Reference Only.  
\*Other dB values are also available. Units that operate over a more specific frequency band and/or offer very low return loss (VSWR) are also available.

XT100W-ATT; REV J