

**INTELLIGENT POWER SWITCH**

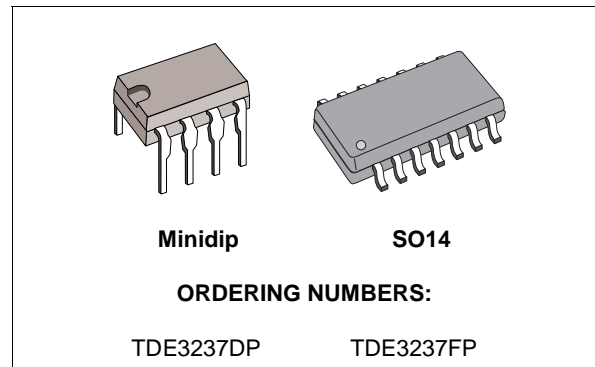
ADVANCE DATA

- HIGH OUTPUT CURRENT
- ADJUSTABLE SHORT-CIRCUIT PROTECTION
- INTERNAL THERMAL PROTECTION WITH HYSTERESIS TO AVOID THE INTERMEDIATE OUTPUT LEVELS
- LARGE SUPPLY VOLTAGE RANGE: 8 TO 30V

**DESCRIPTION**

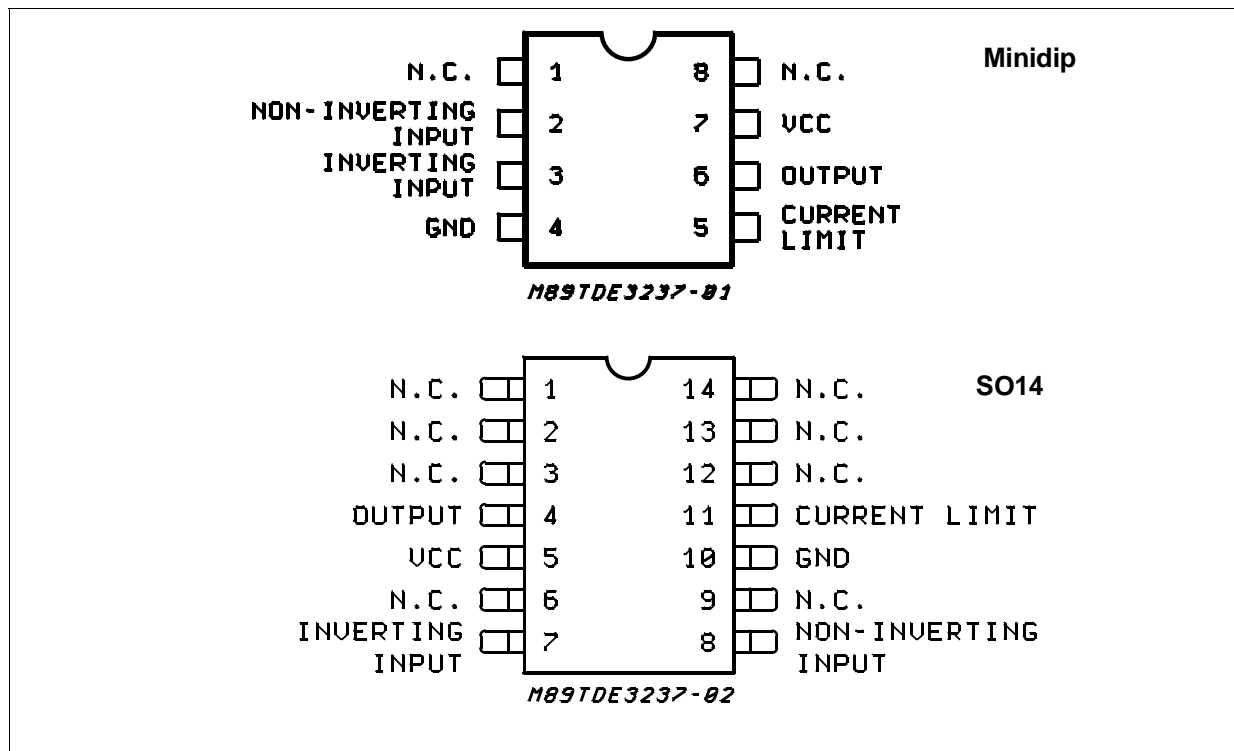
The TDE3237 is a monolithic amplifier designed for high-current and high-voltage applications, specially to drive lamps, relays and stepping motors.

The device is essentially blow-out proof. Current limiting is available to limit the peak output current to a safe value, the adjustment only requires one external resistor. In addition, thermal shut down is provided to keep the IC from overheating. If external dissipation becomes too great, the driver will



shut down to prevent excessive heating. The output is also protected from short-circuits with the positive power supply. The device operates over a wide range of supply voltages from standard  $\pm 15V$  operational amplifier supplies down to the single 12V or 24V used for industrial electronic systems.

**PIN CONNECTIONS**



**ABSOLUTE MAXIMUM RATINGS**

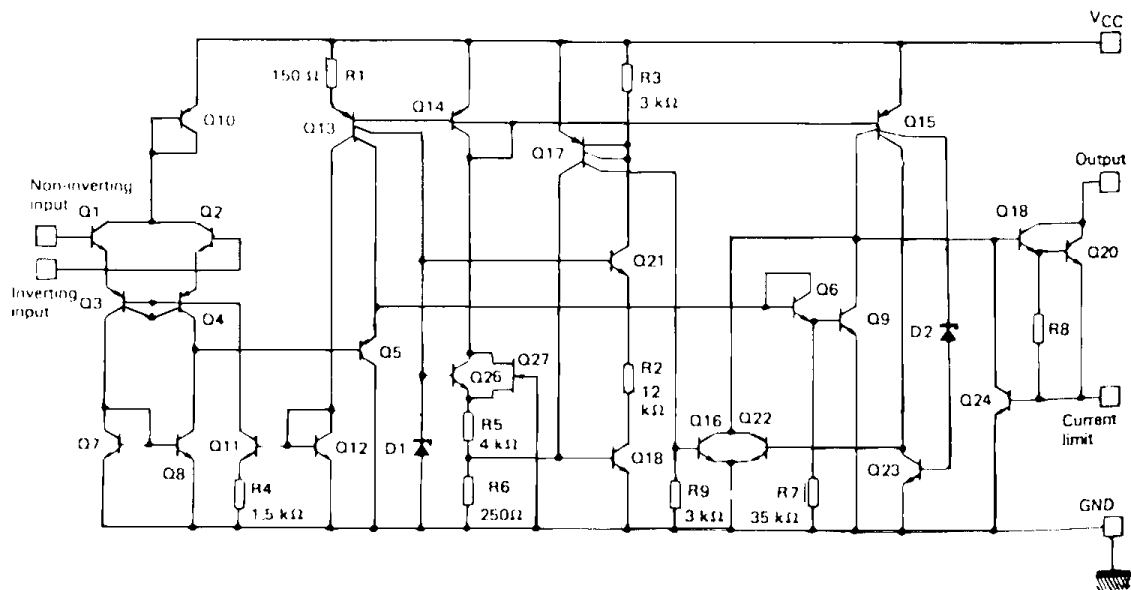
Symbol	Parameter	Value	Unit
V <sub>CC</sub>	Supply Voltage	36	V
V <sub>ID</sub>	Differential Input Voltage	36	V
V <sub>I</sub>	Input Voltage	36	V
I <sub>O</sub>	Output Current	500	mA
P <sub>tot</sub>	Power Dissipation	Internally Limited	W
T <sub>stg</sub>	Storage Temperature Range	- 65 to + 150	°C
T <sub>oper</sub>	Operating Free-air Temperature Range	- 25 to + 85	°C

**THERMAL CHARACTERISTICS**

Symbol	Parameter	Value	Unit
R <sub>th(j-c)</sub>	Maximum Junction-case Thermal Resistance (note 1)	Minidip 50	°C/W
R <sub>th(j-a)</sub>	Maximum Junction-ambient Thermal Resistance (note 1)	Minidip 120	°C/W
	Junction-ceramic Substrate (case glued to substrate)	SO14 90	°C/W
	Junction-ceramic Substrate (case glued to substrate, substrate temperature maintained constant)	SO14 65	°C/W

**Note :** 1. Devices bonded on 40 cm glass-epoxy printed circuit 0.15cm thick with 4cm<sup>2</sup> of copper

**SCHEMATIC DIAGRAM**



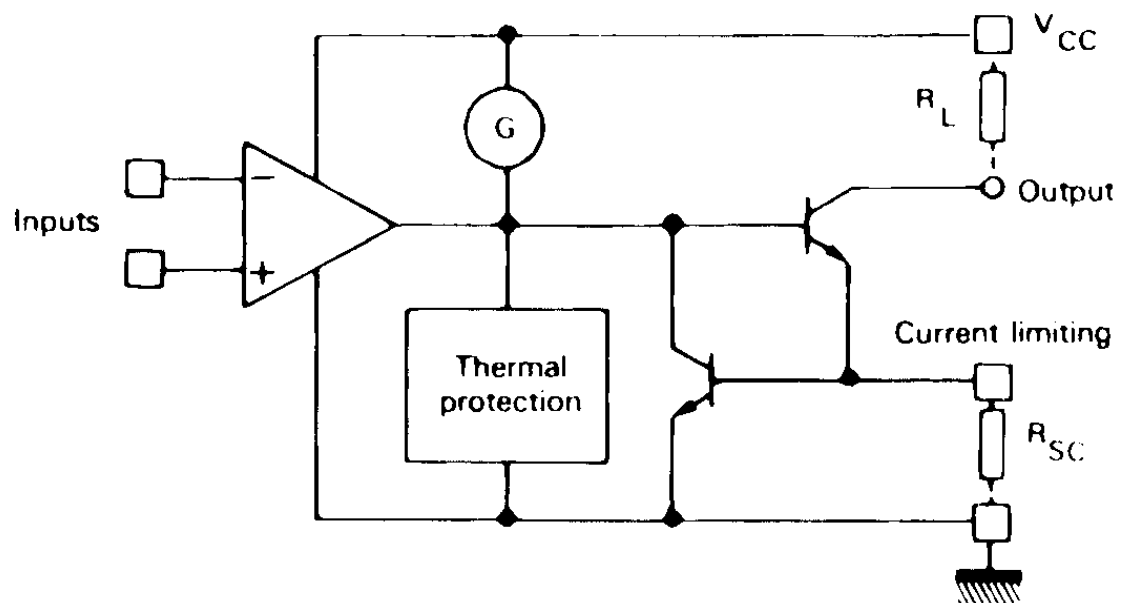
**ELECTRICAL CHARACTERISTICS**  $T_{amb} = -25$  to  $+85$  °C,  $V_{CC} = 8$  to  $\leq 30$  V, unless otherwise specified (note 1).

Symbol	Parameter	Min.	Typ.	Max.	Unit
$V_{IO}$	Input Offset Voltage - (note 3)	-	2	50	mV
$I_{IB}$	Input Bias Current	-	0.1	1.5	$\mu$ A
$I_{CC}$	Supply Current ( $V_{CC} = +24$ V, $I_O = 0$ )	-	3	5	mA
$V_{CM}$	Common-mode Input Voltage Range	2	-	$V_{CC}-2$	V
$I_{SC}$	Short-circuit Current Limit ( $T_{case} = +25$ °C, $R_{SC} = 3.3$ $\Omega$ )	-	230	-	-mA
$V_{CC}-V_O$	Output Saturation Voltage (output high) ( $R_{SC} = 0$ , $V_I+ - V_I- \geq 50$ mV, $I_O = 150$ mA)	-	1	1.5	V
$I_{OL}$	Low Level Output Current ( $V_O = V_{CC} = +24$ V $T_{amb} = +25$ °C)	-	-	100	$\mu$ A

**Notes :**

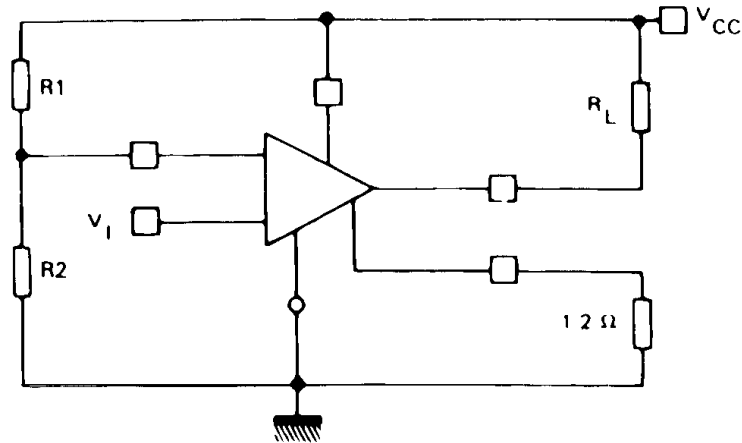
- For operating at high temperature, the TDE3237, must be derated based on a  $+150$  C maximum junction temperature and a junction-ambient thermal as showed in the thermal characteristics data base.
- The offset voltage given is the maximum value of input voltage required to drive the output voltage within 2 V of the ground or the supply voltage.

**SIMPLIFIED SCHEMATIC**

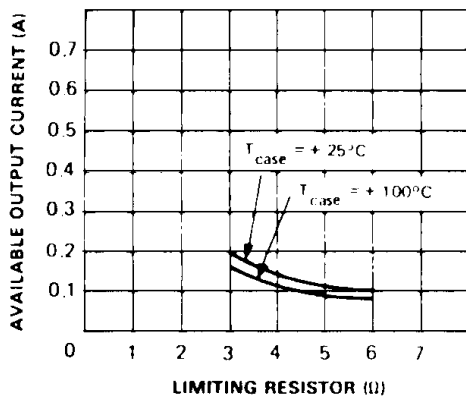


TYPICAL APPLICATION

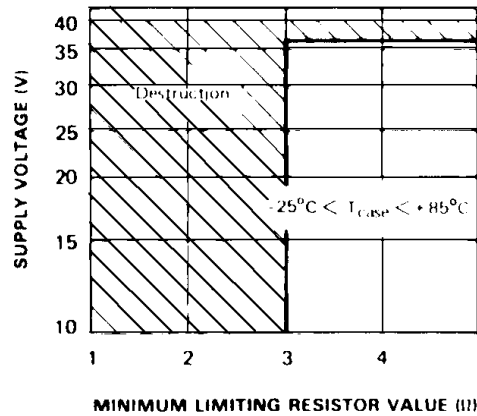
BASIC CIRCUIT



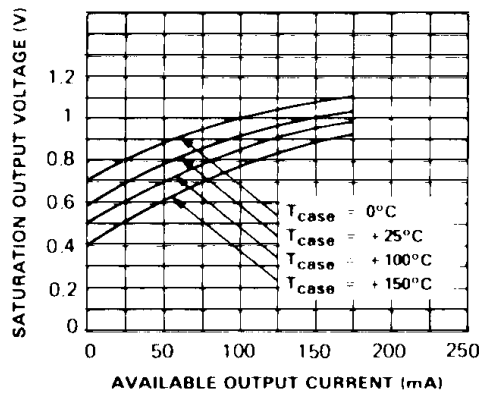
AVAILABLE OUTPUT CURRENT VERSUS LIMITING RESISTOR



SUPPLY VOLTAGE VS MINIMUM LIMITING RESISTOR VALUE

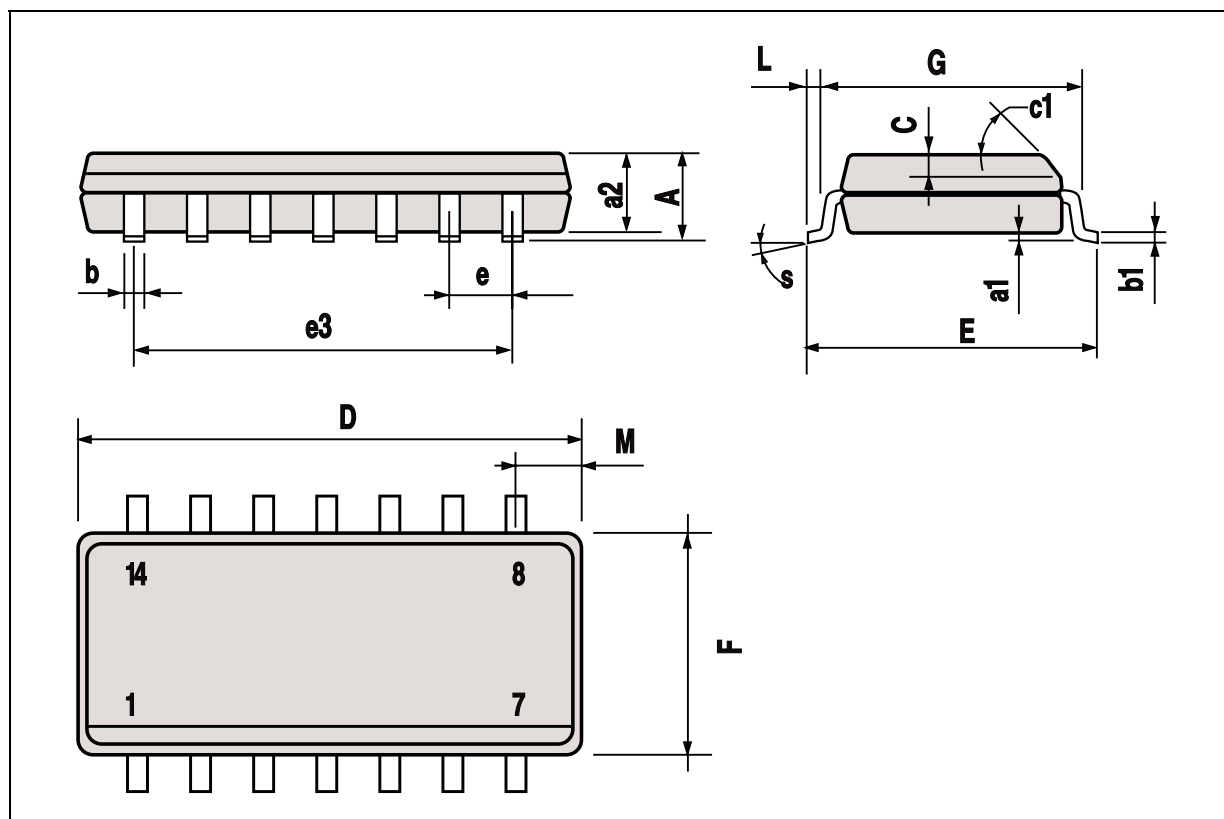


SATURATION OUTPUT VOLTAGE VERSUS CASE TEMPERATURE AND AVAILABLE OUTPUT CURRENT



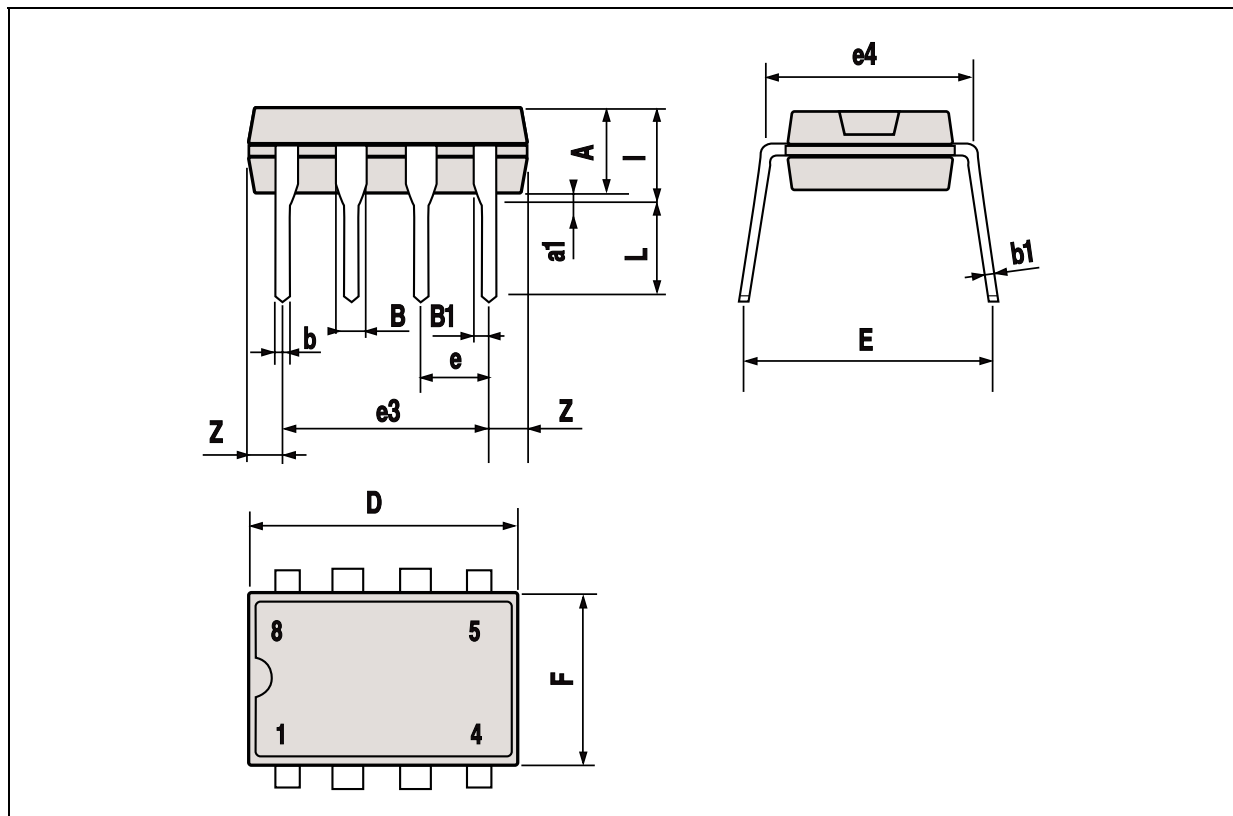
## SO14 PACKAGE MECHANICAL DATA

DIM.	mm			inch		
	MIN.	TYP.	MAX.	MIN.	TYP.	MAX.
A			1.75			0.069
a1	0.1		0.25	0.004		0.009
a2			1.6			0.063
b	0.35		0.46	0.014		0.018
b1	0.19		0.25	0.007		0.010
C		0.5			0.020	
c1	45 (typ.)					
D	8.55		8.75	0.336		0.344
E	5.8		6.2	0.228		0.244
e		1.27			0.050	
e3		7.62			0.300	
F	3.8		4.0	0.15		0.157
L	0.4		1.27	0.016		0.050
M			0.68			0.027
S	8 (max.)					



MINIDIP PACKAGE MECHANICAL DATA

DIM.	mm			inch		
	MIN.	TYP.	MAX.	MIN.	TYP.	MAX.
A		3.32			0.131	
a1	0.51			0.020		
B	1.15		1.65	0.045		0.065
b	0.356		0.55	0.014		0.022
b1	0.204		0.304	0.008		0.012
D			10.92			0.430
E	7.95		9.75	0.313		0.384
e		2.54			0.100	
e3		7.62			0.300	
e4		7.62			0.300	
F			6.6			0.260
I			5.08			0.200
L	3.18		3.81	0.125		0.150
Z			1.52			0.060



Information furnished is believed to be accurate and reliable. However, SGS-THOMSON Microelectronics assumes no responsibility for the consequences of use of such information nor for any infringement of patents or other rights of third parties which may result from its use. No license is granted by implication or otherwise under any patent or patent rights of SGS-THOMSON Microelectronics. Specifications mentioned in this publication are subject to change without notice. This publication supersedes and replaces all information previously supplied. SGS-THOMSON Microelectronics products are not authorized for use as critical components in life support devices or systems without express written approval of SGS-THOMSON Microelectronics.

© 1994 SGS-THOMSON Microelectronics - All Rights Reserved

SGS-THOMSON Microelectronics GROUP OF COMPANIES

Australia - Brazil - France - Germany - Hong Kong - Italy - Japan - Korea - Malaysia - Malta - Morocco - The Netherlands - Singapore - Spain - Sweden - Switzerland - Taiwan - Thailand - United Kingdom - U.S.A.