

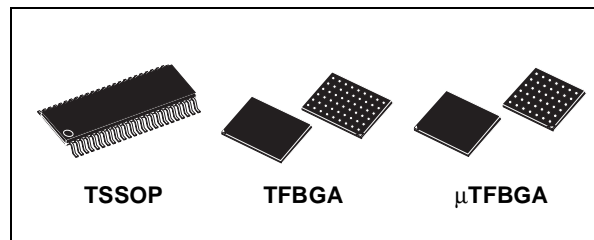


# 74VCX163245

## 16-BIT DUAL SUPPLY BUS TRANSCEIVER LEVEL TRANSLATOR

### TARGET DATA

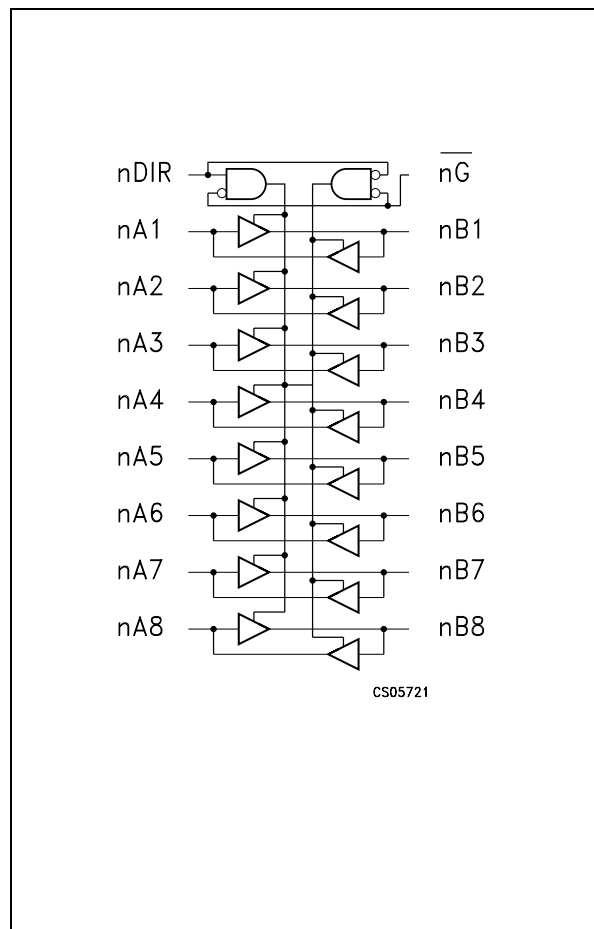
- HIGH SPEED:  $t_{PD} = 4.4ns$  (MAX.) at  $T_A=85^\circ C$   
 $V_{CCA} = 3.0V$   $V_{CCB} = 2.3V$
- LOW POWER DISSIPATION:  
 $I_{CCA} = I_{CCB} = 20\mu A$  (MAX.) at  $T_A=85^\circ C$
- SYMMETRICAL OUTPUT IMPEDANCE:  
 $|I_{OHA}| = I_{OLA} = 12mA$  MIN at  
 $V_{CCA} = 3.0V$   $V_{CCB} = 1.65V$  or  $2.3V$   
 $|I_{OHA}| = I_{OLA} = 8mA$  MIN at  
 $V_{CCA} = 2.3V$   $V_{CCB} = 1.65V$
- BALANCED PROPAGATION DELAYS:  
 $t_{PLH} \cong t_{PHL}$
- POWER DOWN PROTECTION ON INPUTS  
AND OUTPUTS
- OPERATING VOLTAGE RANGE:  
 $V_{CCA}(OPR) = 2.3V$  to  $3.6V$  ( $1.2V$  Data Retention)  
 $V_{CCB}(OPR) = 1.65V$  to  $2.7V$  ( $1.2V$  Data Retention)
- PIN AND FUNCTION COMPATIBLE WITH  
74 SERIES 16245
- LATCH-UP PERFORMANCE EXCEEDS  
500mA (JESD 17)
- ESD PERFORMANCE:  
HBM > 2000V (MIL STD 883 method 3015);  
MM > 200V



### ORDER CODES

PACKAGE	TRAY	T & R
TSSOP48		74VCX163245TTR
TFBGA54	74VCX163245LB	74VCX163245LBR
μTFBGA42	74VCX163245TB	74VCX163245TBR

### LOGIC DIAGRAM



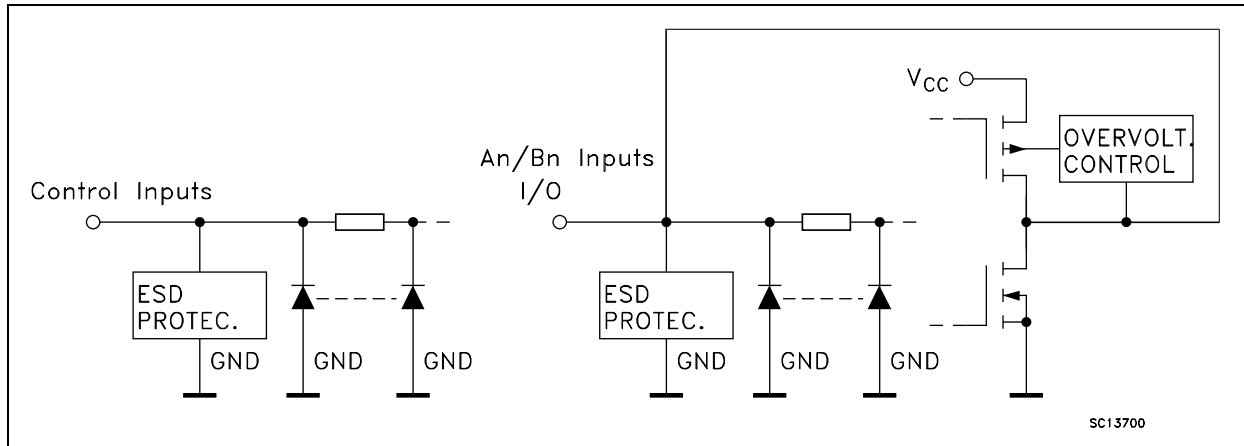
### DESCRIPTION

The 74VCX163245 is a dual supply low voltage CMOS 16-BIT BUS TRANSCEIVER fabricated with sub-micron silicon gate and five-layer metal wiring C<sup>2</sup>MOS technology. Designed for use as an interface between a 3.3V bus and a 2.5V or 1.8V bus in a mixed 3.3V/1.8V, 3.3V/2.5V and 2.5V/1.8V supply systems, it achieves high speed operation while maintaining the CMOS low power dissipation.

This IC is intended for two-way asynchronous communication between data buses and the direction of data transmission is determined by nDIR inputs. The enable inputs nOE can be used to disable the device so that the buses are effectively isolated. The A-port interfaces with the 3V bus, the B-port with the 2.5V and 1.8V bus.

All inputs are equipped with protection circuits against static discharge, giving them 2KV ESD immunity and transient excess voltage. All floating bus terminals during High Z State must be held HIGH or LOW.

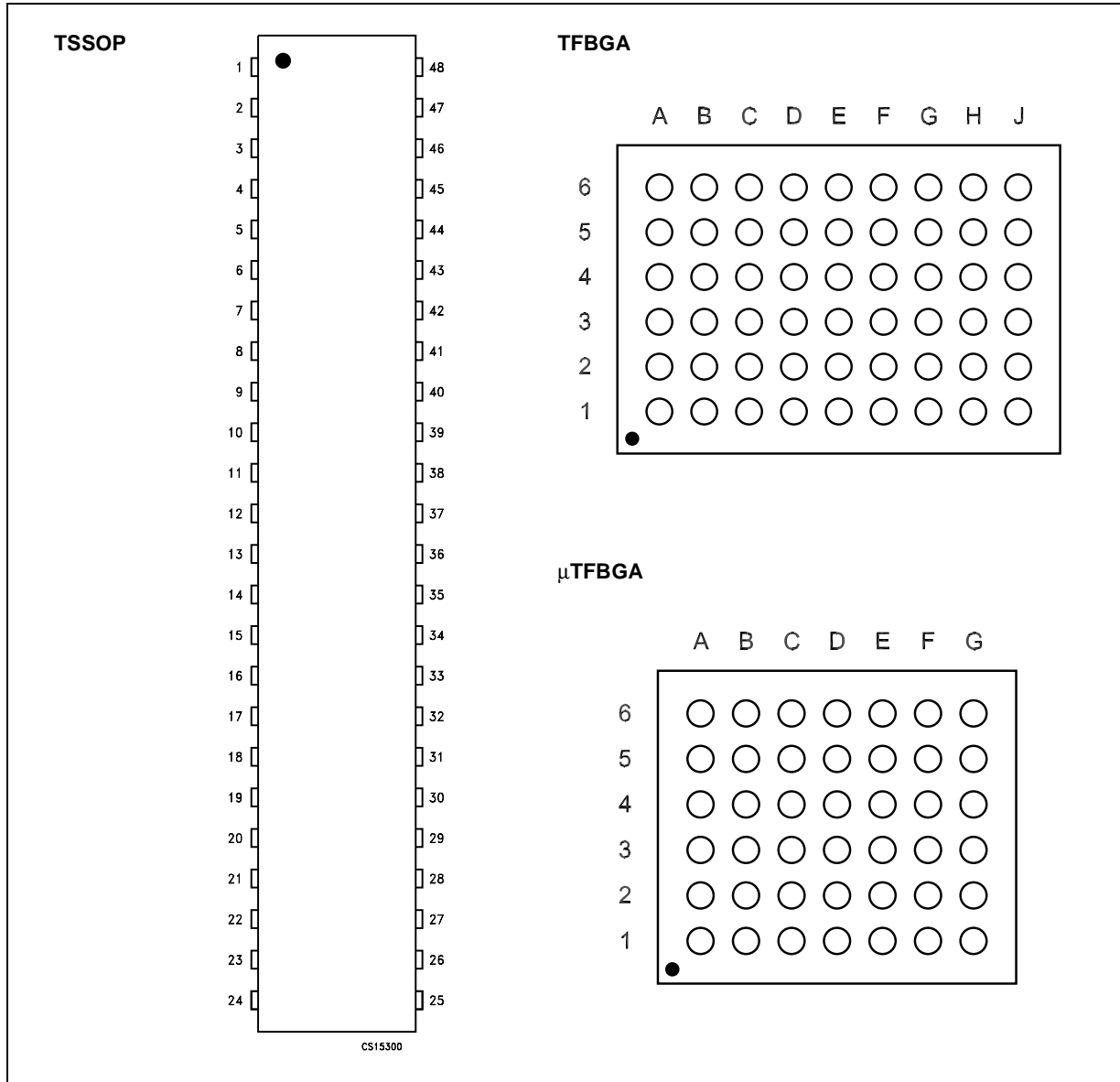
## INPUT AND OUTPUT EQUIVALENT CIRCUIT



## PIN DESCRIPTION

TFBGA54 PIN N°	μTFBGA42 PIN N°	TSSOP PIN N°	SYMBOL	NAME AND FUNCTION
A3	B3	1	1DIR	Directional Controls
J3	F3	24	2DIR	Directional Controls
A6, B5, B6, C5, C6, D5, D6, E5	A4, A5, A6, B5, B6, C5, C6, D5	47, 46, 44, 43, 41, 40, 38, 37	1A1 to 1A8	Data Inputs/Outputs
E6, F5, F6, G5, G6, H5, H6, J6	D6, E5, E6, F5, F6, G4, G5, G6	36, 35, 33, 32, 30, 29, 27, 26	2A1 to 2A8	Data Inputs/Outputs
A1, B2, B1, C2, C1, D2, D1, E2	A3, A2, A1, B2, B1, C2, C1, D2	2, 3, 5, 6, 8, 9, 11, 12	1B1 to 1B8	Data Inputs/Outputs
E1, F2, F1, G2, G1, H2, H1, J1	D1, E2, E1, F2, F1, G3, G2, G1	13, 14, 16, 17, 19, 20, 22, 23	2B1 to 2B8	Data Inputs/Outputs
J4	F4	25	G2	Output Enable Inputs
A4	B4	48	G1	Output Enable Inputs
D3, D4, E3, E4, F3, F4	C3, C4, E3, E4	4, 10, 15, 21, 28, 34, 39, 45	GND	Ground (0V)
A2, A5, B3, B4, H3, H4, J2, J5	-	-	NC	No Connected
C4, G4	D4	42, 31	V <sub>CCA</sub>	Positive Supply Voltage
C3, G3	D3	7, 18	V <sub>CCB</sub>	Positive Supply Voltage

**PIN CONNECTION** (top view for TSSOP, bottom view for BGA)



**TRUTH TABLE**

INPUTS		FUNCTION		OUTPUT
$\overline{G}$	DIR	A BUS	B BUS	
L	L	OUTPUT	INPUT	A = B
L	H	INPUT	OUTPUT	B = A
H	X	Z	Z	Z

X=Don't care; Z=High Impedance

## ABSOLUTE MAXIMUM RATINGS

Symbol	Parameter	Value	Unit
$V_{CCA}$	Supply Voltage	-0.5 to +4.6	V
$V_{CCB}$	Supply Voltage	-0.5 to +4.6	V
$V_I$	DC Input Voltage	-0.5 to +4.6	V
$V_{I/OA}$	DC I/O Voltage (Output disabled)	-0.5 to +4.6	V
$V_{I/OB}$	DC I/O Voltage (Output disabled)	-0.5 to +4.6	V
$V_{I/OA}$	DC I/O Voltage	-0.5 to $V_{CCA} + 0.5$	V
$V_{I/OB}$	DC I/O Voltage	-0.5 to $V_{CCB} + 0.5$	V
$I_{IK}$	DC Input Diode Current	- 20	mA
$I_{OK}$	DC Output Diode Current	- 50	mA
$I_{OA}$	DC Output Current	$\pm 50$	mA
$I_{OB}$	DC Output Current	$\pm 50$	mA
$I_{CCA}$	DC $V_{CC}$ or Ground Current	$\pm 100$	mA
$I_{CCB}$	DC $V_{CC}$ or Ground Current	$\pm 100$	mA
$P_d$	Power Dissipation	400	mW
$T_{stg}$	Storage Temperature	-65 to +150	°C
$T_L$	Lead Temperature (10 sec)	300	°C

Absolute Maximum Rating are those value beyond which damage to the device may occur. Functional operation under these condition is not implied

(\*) 500mW:  $\cong$  65°C derated to 300mW by 10mW/°C: 65°C to 85°C

## RECOMMENDED OPERATING CONDITIONS

Symbol	Parameter	Value	Unit
$V_{CCA}$	Supply Voltage	2.3 to 3.6	V
$V_{CCB}$	Supply Voltage	1.65 to 2.7	V
$V_I$	Input Voltage (Dir, OE)	0 to $V_{CCB}$	V
$V_{I/OA}$	I/O Voltage	0 to $V_{CCA}$	V
$V_{I/OB}$	I/O Voltage	0 to $V_{CCB}$	V
$T_{op}$	Operating Temperature	-40 to 85	°C
dt/dv	Input Rise and Fall Time (note 1)	0 to 10	ns/V

1)  $V_{IN}$  from 0.8V to 2.0V at  $V_{CC} = 3.0V$

DC SPECIFICATION FOR  $V_{CCA}$ 

Symbol	Parameter	Test Condition			Value					Unit
		$V_{CCB}$ (V)	$V_{CCA}$ (V)		$T_A = 25\text{ }^\circ\text{C}$			$-40\text{ to }85\text{ }^\circ\text{C}$		
					Min.	Typ.	Max.	Min.	Max.	
$V_{IHA}$	High Level Input Voltage (An)	1.8	2.5		1.6			1.6		V
		1.8	3.3		2.0			2.0		
		2.5	3.3		2.0			2.0		
$V_{ILA}$	Low Level Input Voltage (An)	1.8	2.5				0.7		0.7	V
		1.8	3.3				0.8		0.8	
		2.5	3.3				0.8		0.8	
$V_{OHA}$	High Level Output Voltage	2.3	3.0	$I_O = -100\text{ }\mu\text{A}$	2.8			2.8		V
		2.3	3.0	$I_O = -24\text{ mA}$	2.2			2.2		
		1.65	3.0	$I_O = -24\text{ mA}$	2.2			2.2		
		1.65	2.3	$I_O = -18\text{ mA}$	1.7			1.7		
$V_{OLA}$	Low Level Output Voltage	2.3	3.0	$I_O = 100\text{ }\mu\text{A}$			0.2		0.2	V
		2.3	3.0	$I_O = 24\text{ mA}$			0.55		0.55	
		1.65	3.0	$I_O = 24\text{ mA}$			0.55		0.55	
		1.65	2.3	$I_O = 18\text{ mA}$			0.60		0.60	
$I_{IA}$	Input Leakage Current	2.7	3.6	$V_I = V_{CC}$ or GND			$\pm 0.5$		$\pm 5$	$\mu\text{A}$
$I_{OZA}$	High Impedance Output Leakage Current	2.7	3.6	$V_{IA} = \text{Gnd}$ or 3.6V $V_{IB} = V_{IHB}$ or $V_{ILB}$ $OE = V_{CCB}$			$\pm 1.0$		$\pm 10$	$\mu\text{A}$
$I_{IA(\text{HOLD})}$	Input Hold Current	1.65	2.3	$V_I = 0.57\text{V}$	25			25		$\mu\text{A}$
		1.65	2.3	$V_I = 1.07\text{V}$	-25			-25		
		1.65	3.0	$V_I = 0.57\text{V}$	25			25		$\mu\text{A}$
		1.65	3.0	$V_I = 1.07\text{V}$	-25			-25		
		2.3	3.0	$V_I = 0.7\text{V}$	45			45		$\mu\text{A}$
		2.3	3.0	$V_I = 1.6\text{V}$	-45			-45		
		2.7	3.6	$V_{IB} = 0\text{ to }2.7\text{V}$					$\pm 300$	
$I_{OFF}$	Power Off Leakage Current	0	0	$V_{IA} = \text{Gnd}$ to 3.6V $V_{IB} = \text{Gnd}$ to 3.6V G, Dir = GND to 3.6V			$\pm 1.0$		$\pm 10$	$\mu\text{A}$
$I_{CC1A}$	Quiescent Supply Current	1.95	3.6	$V_{IA} = V_{CCA}$ or GND $V_{IB} = V_{CCB}$ or GND			2		20	$\mu\text{A}$
		1.95	2.7							
		2.7	3.6							
$\Delta I_{CC1A}$	Maximum Quiescent Supply Current / Input (An)	2.7	3.6	$V_{IA} = V_{CCA} - 0.6\text{V}$ $V_{IB} = V_{CCB}$ or GND					0.75	mA
		1.95	3.6							
		1.95	2.7							

DC SPECIFICATION FOR  $V_{CCB}$ 

Symbol	Parameter	Test Condition			Value					Unit
		$V_{CCB}$ (V) (*)	$V_{CCA}$ (V) (*)		$T_A = 25\text{ }^\circ\text{C}$			$-40\text{ to }85\text{ }^\circ\text{C}$		
					Min.	Typ.	Max.	Min.	Max.	
$V_{IHB}$	High Level Input Voltage (Bn, Dir, OE)	1.8	2.5		$0.65V_{CCB}$			$0.65V_{CCB}$		V
		1.8	3.3		$0.65V_{CCB}$			$0.65V_{CCB}$		
		2.5	3.3		1.6			1.6		
$V_{ILB}$	Low Level Input Voltage (Bn, Dir, OE)	1.8	2.5				$0.35V_{CCB}$		$0.35V_{CCB}$	V
		1.8	3.3				$0.35V_{CCB}$		$0.35V_{CCB}$	
		2.5	3.3				0.7		0.7	
$V_{OHB}$	High Level Output Voltage	2.3	3.0	$I_O = -100\text{ }\mu\text{A}$	2.8			2.8		V
		2.3	3.0	$I_O = -18\text{ mA}$	1.7			1.7		
		1.65	3.0	$I_O = -6\text{ mA}$	1.25			1.25		
		1.65	2.3	$I_O = -6\text{ mA}$	1.25			1.25		
$V_{OLB}$	Low Level Output Voltage	2.3	3.0	$I_O = 100\text{ }\mu\text{A}$			0.2		0.2	V
		2.3	3.0	$I_O = 18\text{ mA}$			0.60		0.60	
		1.65	3.0	$I_O = 6\text{ mA}$			0.30		0.30	
		1.65	2.3	$I_O = 6\text{ mA}$			0.30		0.30	
$I_{IB}$	Input Leakage Current	2.7	3.6	$V_I = V_{CC}$ or GND			$\pm 0.5$		$\pm 5$	$\mu\text{A}$
$I_{OZB}$	High Impedance Output Leakage Current	2.7	3.6	$V_{IA} = V_{IHA}$ or $V_{ILA}$ $V_{IB} = \text{GND}$ or $2.7\text{V}$ $G = V_{CCB}$			$\pm 1.0$		$\pm 10$	$\mu\text{A}$
$I_{IB(\text{HOLD})}$	Input Hold Current	1.65	2.3	$V_I = 0.57\text{V}$	25			25		$\mu\text{A}$
		1.65	2.3	$V_I = 1.07\text{V}$	-25			-25		
		1.65	3.0	$V_I = 0.57\text{V}$	25			25		$\mu\text{A}$
		1.65	3.0	$V_I = 1.07\text{V}$	-25			-25		
		2.3	3.0	$V_I = 0.7\text{V}$	45			45		$\mu\text{A}$
		2.3	3.0	$V_I = 1.6\text{V}$	-45			-45		
		2.7	3.6	$V_{IB} = 0\text{ to }2.7\text{V}$					$\pm 300$	
$I_{CCIB}$	Quiescent Supply Current	1.95	3.6	$V_{IA} = V_{CCA}$ or GND			2		20	$\mu\text{A}$
		1.95	2.7	$V_{IB} = V_{CCB}$ or GND						
		2.7	3.6	Dir or $G = V_{CCB}$ or GND						
$\Delta I_{CCIB}$	Maximum Quiescent Supply Current / Input (Bn, DIR, OE)	2.7	3.6						0.75	mA
		1.95	3.6	$V_{IB} = V_{CCB} - 0.6\text{V}$						
		1.95	2.7	$V_{IA} = V_{CCA}$ or GND						

## DYNAMIC SWITCHING CHARACTERISTICS

Symbol	Parameter	Test Condition			Value					Unit
		V <sub>CCB</sub> (V)	V <sub>CCA</sub> (V)		T <sub>A</sub> = 25 °C			-40 to 85 °C		
					Min.	Typ.	Max.	Min.	Max.	
V <sub>OLPA</sub>	Dynamic Low Level Quiet An Output	1.8	2.5	C <sub>L</sub> = 30pF V <sub>IL</sub> = 0V V <sub>IH</sub> = V <sub>CC</sub>		0.25				V
		1.8	3.3			0.25				
		2.5	3.3			0.6				
V <sub>OLPB</sub>	Dynamic Low Level Quiet Bn Output	1.8	2.5	C <sub>L</sub> = 30pF V <sub>IL</sub> = 0V V <sub>IH</sub> = V <sub>CC</sub>		0.6				V
		1.8	3.3			0.8				
		2.5	3.3			0.8				
V <sub>OLVA</sub>	Dynamic Low Level Quiet An Output	1.8	2.5	C <sub>L</sub> = 30pF V <sub>IL</sub> = 0V V <sub>IH</sub> = V <sub>CC</sub>		-0.6				V
		1.8	3.3			-0.8				
		2.5	3.3			-0.8				
V <sub>OLVB</sub>	Dynamic Low Level Quiet Bn Output	1.8	2.5	C <sub>L</sub> = 30pF V <sub>IL</sub> = 0V V <sub>IH</sub> = V <sub>CC</sub>		-0.25				V
		1.8	3.3			-0.25				
		2.5	3.3			-0.6				
V <sub>OHVA</sub>	Dynamic Low Level Quiet An Output	1.8	2.5	C <sub>L</sub> = 30pF V <sub>IL</sub> = 0V V <sub>IH</sub> = V <sub>CC</sub>		1.7				V
		1.8	3.3			2.0				
		2.5	3.3			2.0				
V <sub>OHVB</sub>	Dynamic Low Level Quiet Bn Output	1.8	2.5	C <sub>L</sub> = 30pF V <sub>IL</sub> = 0V V <sub>IH</sub> = V <sub>CC</sub>		1.3				V
		1.8	3.3			1.3				
		2.5	3.3			1.7				

## AC ELECTRICAL CHARACTERISTICS

Symbol	Parameter	Test Condition			Value		Unit
		V <sub>CCB</sub> (V)	V <sub>CCA</sub> (V)		-40 to 85 °C		
					Min.	Max.	
t <sub>PLH</sub> t <sub>PHL</sub>	Propagation Delay Time An to Bn	1.8 ± 0.15	2.5 ± 0.2	C <sub>L</sub> = 30 pF R <sub>L</sub> = 500 Ω	1.0	5.8	ns
		1.8 ± 0.15	3.3 ± 0.3		1.0	6.2	
		2.5 ± 0.2	3.3 ± 0.3		1.0	4.4	
t <sub>PLH</sub> t <sub>PHL</sub>	Propagation Delay Time Bn to An	1.8 ± 0.15	2.5 ± 0.2	C <sub>L</sub> = 30 pF R <sub>L</sub> = 500 Ω	1.0	5.5	ns
		1.8 ± 0.15	3.3 ± 0.3		1.0	5.1	
		2.5 ± 0.2	3.3 ± 0.3		1.0	4.0	
t <sub>pZL</sub> t <sub>pZH</sub>	Output Enable Time OE to An	1.8 ± 0.15	2.5 ± 0.2	C <sub>L</sub> = 30 pF R <sub>L</sub> = 500 Ω	1.0	5.3	ns
		1.8 ± 0.15	3.3 ± 0.3		1.0	5.1	
		2.5 ± 0.2	3.3 ± 0.3		1.0	4.0	
t <sub>pZL</sub> t <sub>pZH</sub>	Output Enable Time OE to Bn	1.8 ± 0.15	2.5 ± 0.2	C <sub>L</sub> = 30 pF R <sub>L</sub> = 500 Ω	1.0	8.3	ns
		1.8 ± 0.15	3.3 ± 0.3		1.0	8.2	
		2.5 ± 0.2	3.3 ± 0.3		1.0	4.6	
t <sub>PLZ</sub> t <sub>PHZ</sub>	Output Disable Time OE to An	1.8 ± 0.15	2.5 ± 0.2	C <sub>L</sub> = 30 pF R <sub>L</sub> = 500 Ω	1.0	5.2	ns
		1.8 ± 0.15	3.3 ± 0.3		1.0	5.6	
		2.5 ± 0.2	3.3 ± 0.3		1.0	4.5	
t <sub>PLZ</sub> t <sub>PHZ</sub>	Output Disable Time OE to Bn	1.8 ± 0.15	2.5 ± 0.2	C <sub>L</sub> = 30 pF R <sub>L</sub> = 500 Ω	1.0	4.6	ns
		1.8 ± 0.15	3.3 ± 0.3		1.0	4.5	
		2.5 ± 0.2	3.3 ± 0.3		1.0	4.4	
t <sub>OSLH</sub> t <sub>OSHL</sub>	Output To Output Skew Time (note1, 2)	1.8 ± 0.15	2.5 ± 0.2	C <sub>L</sub> = 30 pF R <sub>L</sub> = 500 Ω		0.5	ns
		1.8 ± 0.15	3.3 ± 0.3			0.5	
		1.8 ± 0.15	3.3 ± 0.3			0.75	

## AC ELECTRICAL CHARACTERISTICS

Symbol	Parameter	Test Condition $T_A = -40$ to $85$ °C						Unit
		$V_{CCB} = 1.8 \pm 0.15V$		$V_{CCB} = 1.8 \pm 0.15V$		$V_{CCB} = 2.5 \pm 0.2V$		
		$V_{CCA} = 2.5 \pm 0.2V$		$V_{CCA} = 3.3 \pm 0.3V$		$V_{CCA} = 3.3 \pm 0.3V$		
		Min.	Max.	Min.	Max.	Min.	Max.	
$t_{PLH}, t_{PHL}$	Propagation Delay Time An to Bn	1.0	5.8	1.0	6.2	1.0	4.4	ns
$t_{PLH}, t_{PHL}$	Propagation Delay Time Bn to An	1.0	5.5	1.0	5.1	1.0	4.0	
$t_{PZL}, t_{PZH}$	Output Enable Time $\overline{OE}$ to An	1.0	5.3	1.0	5.1	1.0	4.0	ns
$t_{PZL}, t_{PZH}$	Output Enable Time $\overline{OE}$ to Bn	1.0	8.3	1.0	8.2	1.0	4.6	
$t_{PLZ}, t_{PHZ}$	Output Disable Time $\overline{OE}$ to An	1.0	5.2	1.0	5.6	1.0	4.8	ns
$t_{PLZ}, t_{PHZ}$	Output Disable Time $\overline{OE}$ to Bn	1.0	4.6	1.0	4.5	1.0	4.4	
$t_{OSLH}$ $t_{OSHL}$	Output To Output Skew Time (note1, 2)		5.0		0.5		0.75	ns

1) Skew is defined as the absolute value of the difference between the actual propagation delay for any two outputs of the same device switching in the same direction, either HIGH or LOW ( $t_{OSLH} = |t_{PLHm} - t_{PLHn}|$ ,  $t_{OSHL} = |t_{PHLm} - t_{PHLn}|$ )  
 2) Parameter guaranteed by design

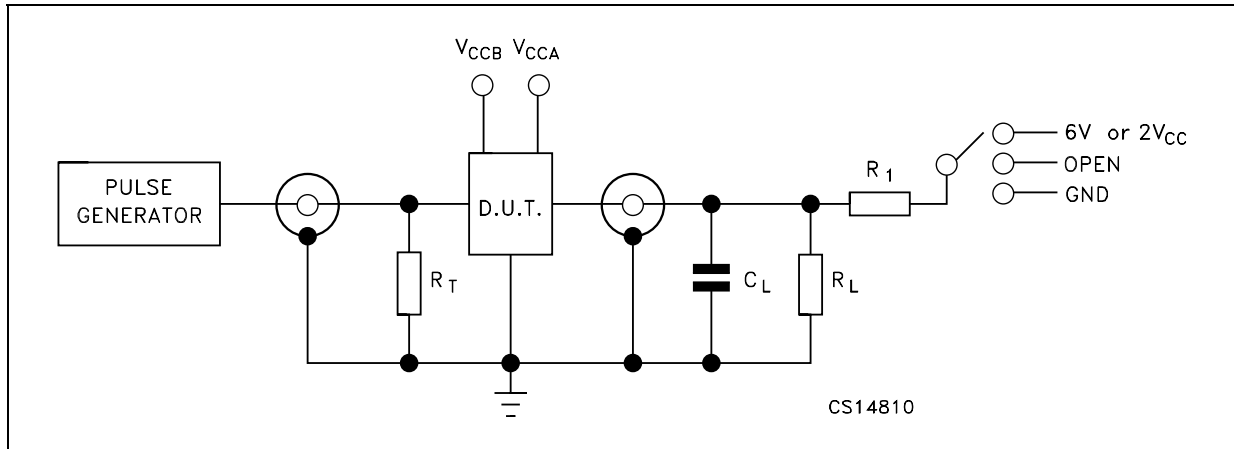
## CAPACITANCE CHARACTERISTICS

Symbol	Parameter	Test Condition			Value					Unit
		$V_{CCB}$ (V)	$V_{CCA}$ (V)		$T_A = 25$ °C			$-40$ to $85$ °C		
					Min.	Typ.	Max.	Min.	Max.	
$C_{INA}$	Input Capacitance	open	open			5				V
$C_{I/O}$	Input/Output Capacitance	2.5	3.3			6				V
$C_{PD}$	Power Dissipation Capacitance	2.5	3.3	f=10MHz		20				V

1)  $C_{PD}$  is defined as the value of the IC's internal equivalent capacitance which is calculated from the operating current consumption without load. (Refer to Test Circuit). Average current can be obtained by the following equation.  $I_{CC(opr)} = C_{PD} \times V_{CC} \times f_{IN} + I_{CC}/16$  (per circuit)



## TEST CIRCUIT



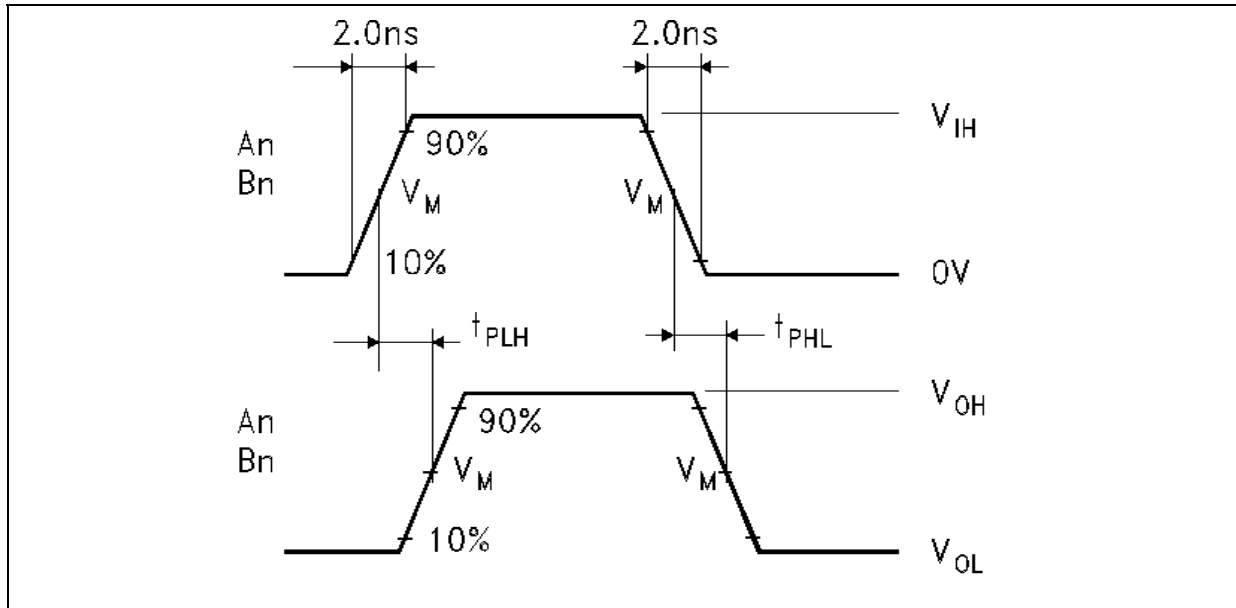
TEST	SWITCH
$t_{PLH}$ , $t_{PHL}$	Open
$t_{PZL}$ , $t_{PLZ}$ ( $V_{CC} = 3.0$ to $3.6V$ )	6V
$t_{PZL}$ , $t_{PLZ}$ ( $V_{CC} = 2.3$ to $2.7V$ or $V_{CC} = 1.65$ to $1.95V$ )	$2V_{CC}$
$t_{PZH}$ , $t_{PHZ}$	GND

$C_L = 30pF$  or equivalent (includes jig and probe capacitance)  
 $R_L = R_1 = 500\Omega$  or equivalent  
 $R_T = Z_{OUT}$  of pulse generator (typically  $50\Omega$ )

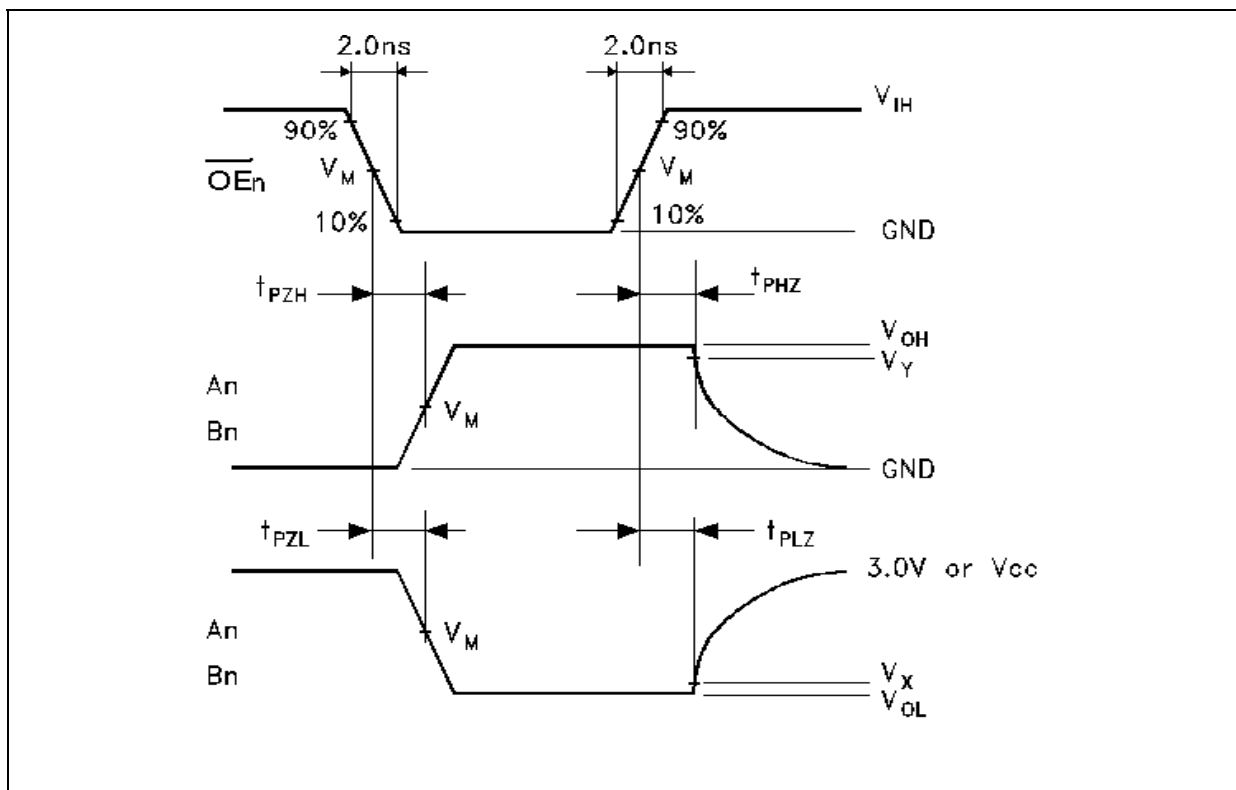
## WAVEFORM SYMBOL VALUE

Symbol	$V_{CC}$		
	3.0 to 3.6V	2.3 to 2.7V	1.65 to 1.95V
$V_{IH}$	$V_{CC}$	$V_{CC}$	$V_{CC}$
$V_M$	1.5V	$V_{CC}/2$	$V_{CC}/2$
$V_X$	$V_{OL} + 0.3V$	$V_{OL} + 0.15V$	$V_{OL} + 0.15V$
$V_Y$	$V_{OL} - 0.3V$	$V_{OL} - 0.15V$	$V_{OL} - 0.15V$

WAVEFORM 1: PROPAGATION DELAY (f=1MHz; 50% duty cycle)

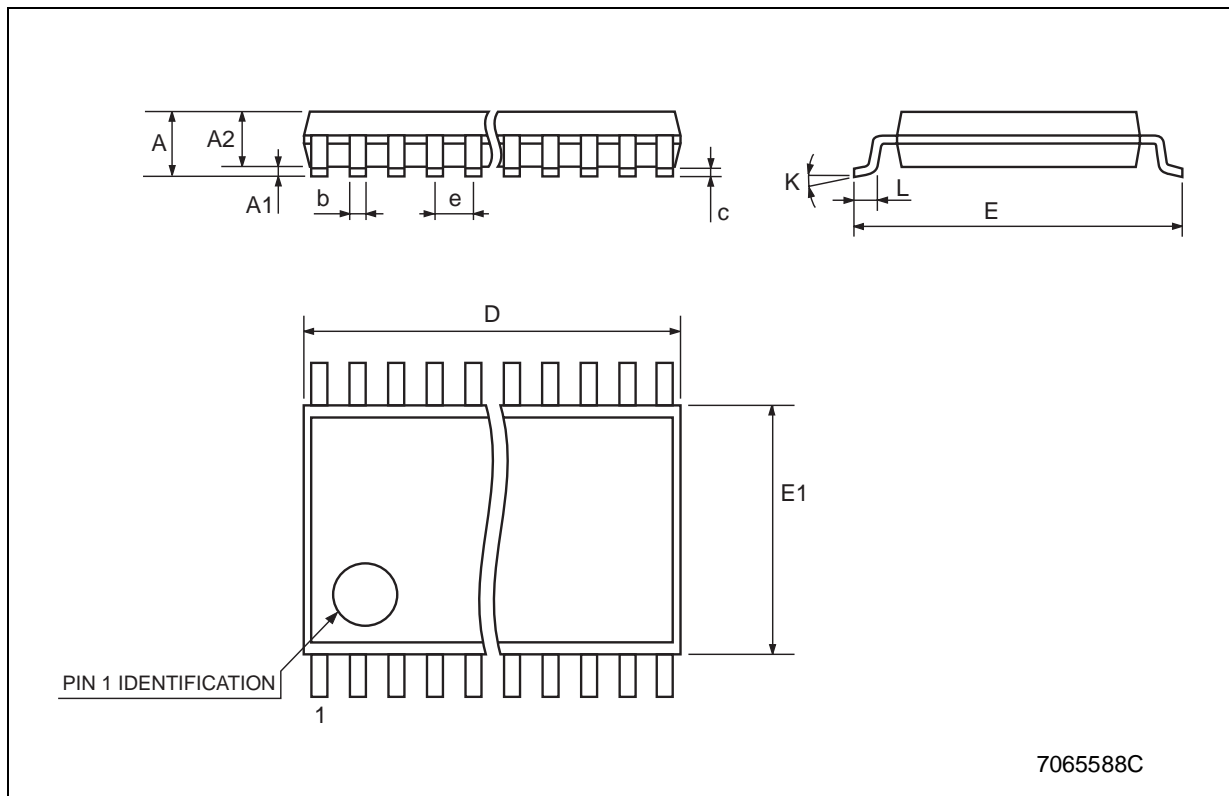


WAVEFORM 2: OUTPUT ENABLE AND DISABLE TIME (f=1MHz; 50% duty cycle)



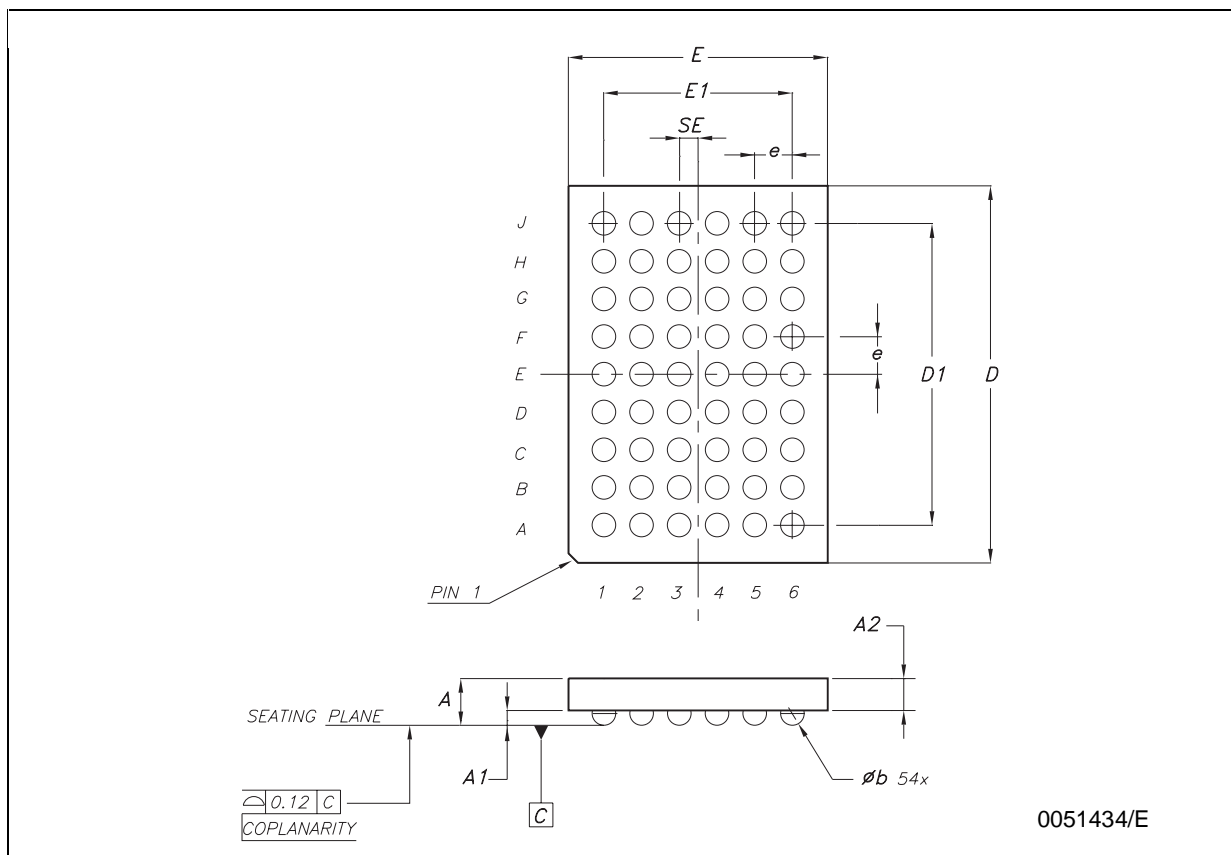
## TSSOP48 MECHANICAL DATA

DIM.	mm.			inch		
	MIN.	TYP.	MAX.	MIN.	TYP.	MAX.
A			1.2			0.047
A1	0.05		0.15	0.002		0.006
A2		0.9			0.035	
b	0.17		0.27	0.0067		0.011
c	0.09		0.20	0.0035		0.0079
D	12.4		12.6	0.488		0.496
E		8.1 BSC			0.318 BSC	
E1	6.0		6.2	0.236		0.244
e		0.5 BSC			0.0197 BSC	
K	0°		8°	0°		8°
L	0.50		0.75	0.020		0.030



**TFBGA54 MECHANICAL DATA**

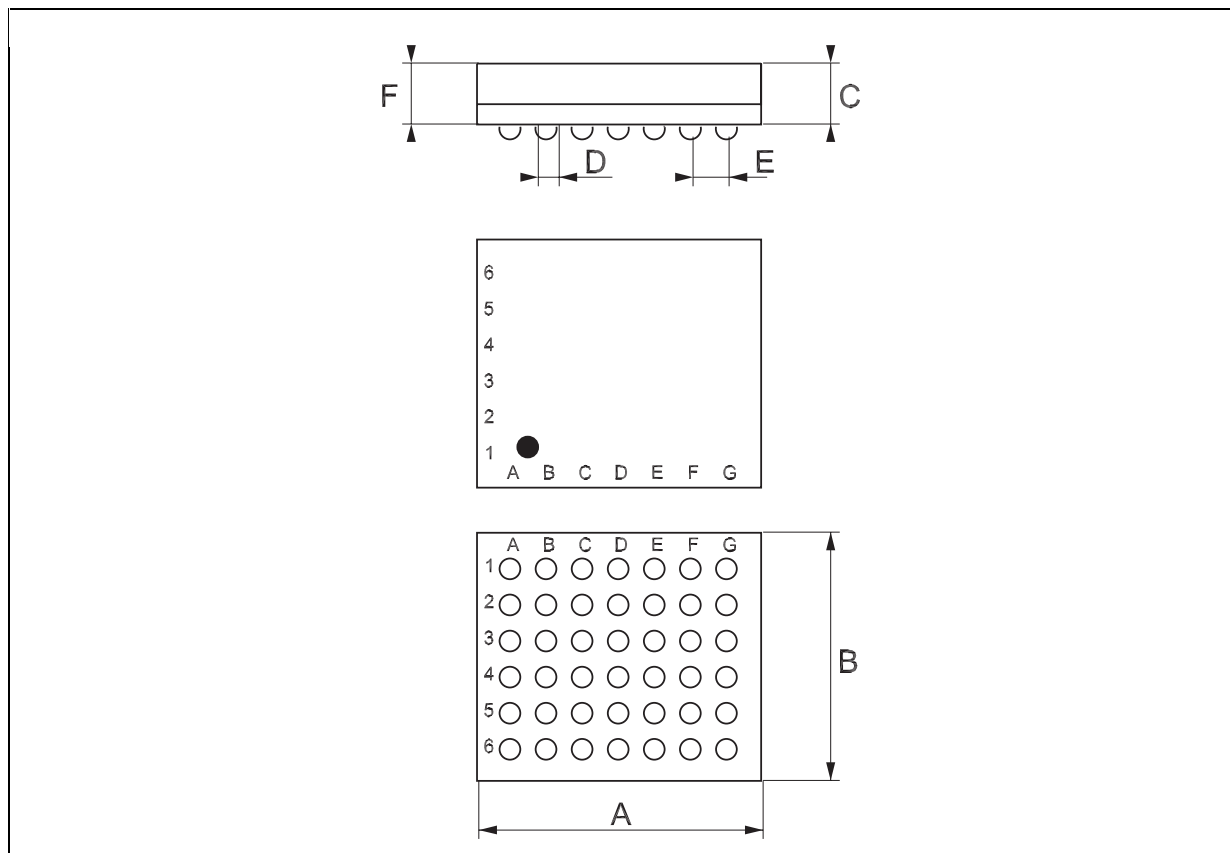
DIM.	mm.			mils		
	MIN.	TYP	MAX.	MIN.	TYP.	MAX.
A			1.2			47.2
A1	0.25			9.8		
A2	0.85			33.5		
B	0.45		0.55	17.7		21.7
D	7.9		8.1	311.0		318.9
D1		6.4			252.0	
E	5.4	5.5	5.6	212.6	216.5	220.5
E1		4			157.5	
e		0.8			31.5	
SE		0.4			15.7	



0051434/E

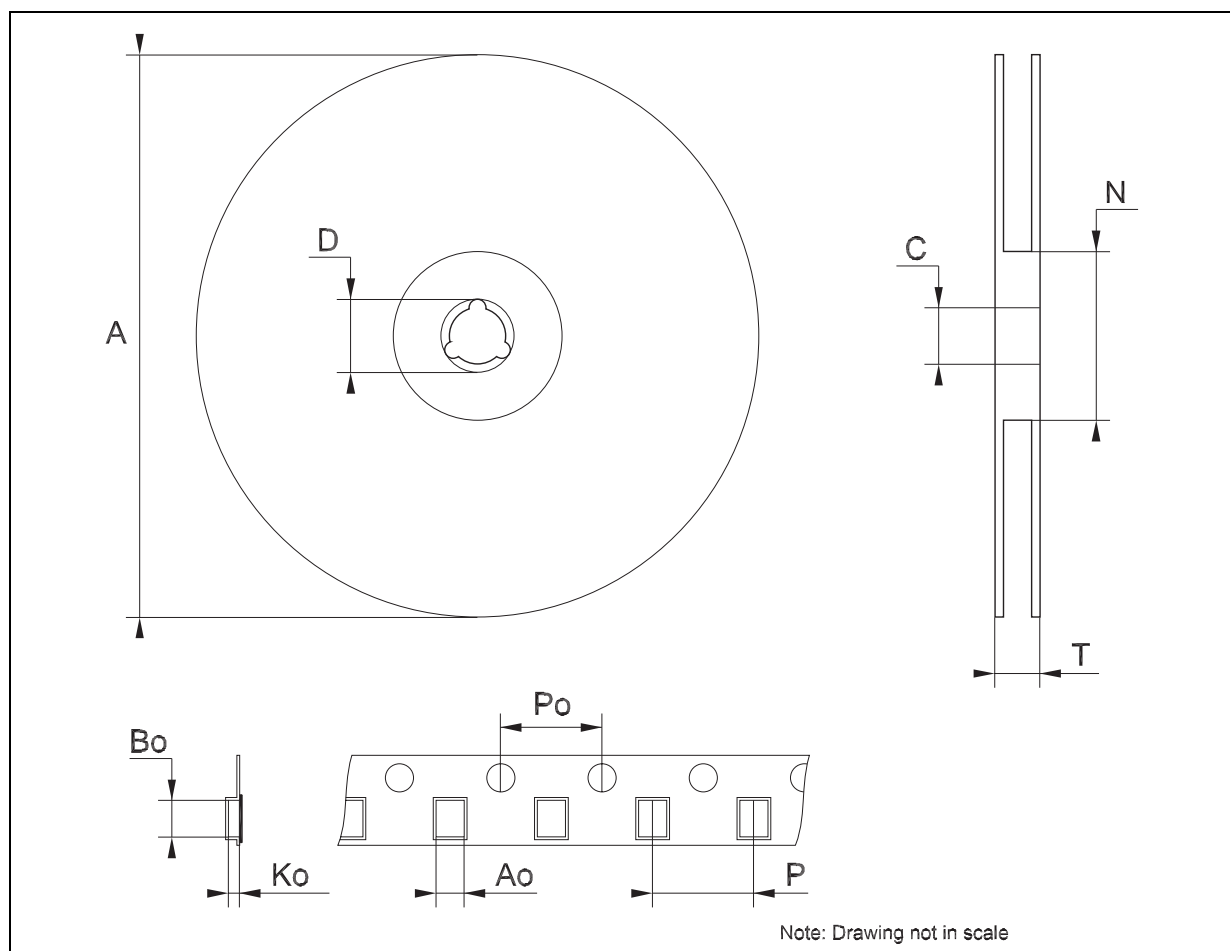
**μFBGA42 MECHANICAL DATA**

DIM.	mm.			mils		
	MIN.	TYP	MAX.	MIN.	TYP.	MAX.
A	3.90		4.10	153.5		161.4
B	3.40		3.60	133.9		141.7
C		1.07	1.16		42.1	45.6
D		0.3			11.8	
E		0.5			19.7	
F	0.78		0.86	30.7		33.9



## Tape &amp; Reel TSSOP48 MECHANICAL DATA

DIM.	mm.			inch		
	MIN.	TYP	MAX.	MIN.	TYP.	MAX.
A			330			12.992
C	12.8		13.2	0.504		0.519
D	20.2			0.795		
N	60			2.362		
T			30.4			1.197
Ao	8.7		8.9	0.343		0.350
Bo	13.1		13.3	0.516		0.524
Ko	1.5		1.7	0.059		0.067
Po	3.9		4.1	0.153		0.161
P	11.9		12.1	0.468		0.476



Information furnished is believed to be accurate and reliable. However, STMicroelectronics assumes no responsibility for the consequences of use of such information nor for any infringement of patents or other rights of third parties which may result from its use. No license is granted by implication or otherwise under any patent or patent rights of STMicroelectronics. Specifications mentioned in this publication are subject to change without notice. This publication supersedes and replaces all information previously supplied. STMicroelectronics products are not authorized for use as critical components in life support devices or systems without express written approval of STMicroelectronics.

© The ST logo is a registered trademark of STMicroelectronics

© 2003 STMicroelectronics - Printed in Italy - All Rights Reserved  
STMicroelectronics GROUP OF COMPANIES

Australia - Brazil - Canada - China - Finland - France - Germany - Hong Kong - India - Israel - Italy - Japan - Malaysia - Malta - Morocco  
Singapore - Spain - Sweden - Switzerland - United Kingdom - United States.

© <http://www.st.com>

