

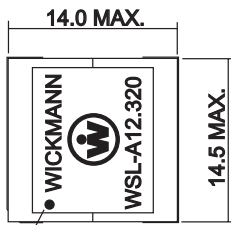
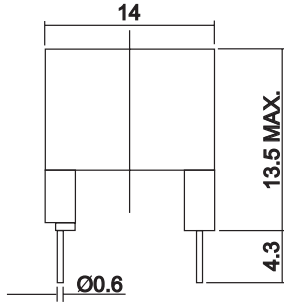
ADSL-Transformer

WSL-A12.320

Specifications



Schematics & Mechanicals (mm)



BLACK DOT IS PIN NO.1

Application

CPE, Motorola MC03AX1456RT Rev. 1.3 Chipset

EP Core Design

EP 13 shown
For smaller sizes down to EP 7,
contact WICKMANN

Standard

UL1950

Features

Optimized magnetic shielding for low interference
High performance, high quality design
Surface Mount and Through Hole package

WebLinks

Data Sheet

www.wickmann.com/products/WSL_A12320.pdf

Packaging

www.wickmann.com/pack

Packaging

100 pcs./tray
7 trays/carton

Mounting

Through-Hole
For Surface Mount version,
contact WICKMANN

Solderability

270 - 300°C


Isolation voltage

1500 VAC

Operation Temperature Range

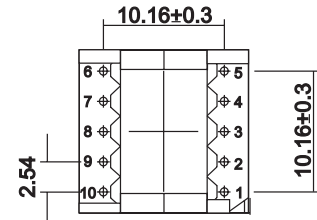
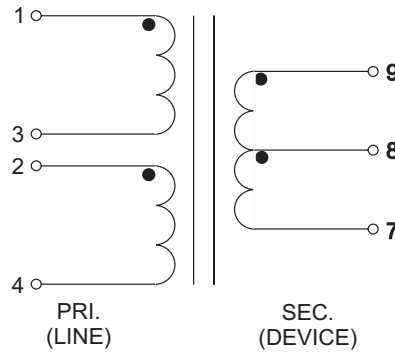
-40°C to +85°C

Marking

 article-no.

Unit Weight

7g



DC Resistance	2,0 Ω (1-3) max. ±10% 2,0 Ω (2-4) max. ±10% 7,4 Ω (9-7) max. ±10%
Open Circuit Inductance	4 mH ±10% @ 10kHz, 100mVAC on series, (1-4), short (2+3) 13 mH ±10% @ 10kHz, 100mVAC (9-7)
Turns Ratio	1:1,8 ±1,5% (1-4):(9-7) 1:1 ±1% (1-3):(2-4)
Leakage Inductance	18,0µH max. 100kHz, 100mVAC (1-4), short (2+3, 7+9)
Longitudinal Balance	40 dB max. @ 20kHz – 1,1MHz, ITU method (L->M), 9-GND
Interwinding Capacity	40 pF max. @ 10kHz, 1VAC, (1-9), short (2+3)
Reflects 100W @ R _L	324 Ω load on sec. @ 10kHz, 1VAC
Insertion Loss	-
Total Harmonic Distortion	-

Order Information

Qty.	Order Number
	960 4 612320 9