

**Typical Applications**

*PCS Base Stations  
Land Mobile Radio  
Cellular Telephony  
Radio in the Local Loop  
Test Equipment  
Avionics*

**Features**

*Low Profile Package  
Standard 4-Pin DIP Package  
Mechanical Control, EFC Optional  
High Stability  
Surface Mount Options Available*

**Frequency Range**

**1 MHz – 30 MHz**

**Parameters**

**Model Numbers**

Operating Temperature Range	Frequency Stability (ppm)	Clipped Sine Wave (1 Vpp min. into 1kΩ)	Square Wave (CMOS)
0....50°C	± 0.5 ppm ± 1.0 ppm ± 2.0 ppm	958AA 958AB 958AD	958HAA 958HAB 958HAD
0.....70°C	± 1.0 ppm ± 2.5 ppm ± 5.0 ppm	958DB 958DE 958DF	958HDB 958HDE 958HDF
-20....+70°C	± 1.0 ppm ± 1.5 ppm ± 2.0 ppm ± 2.5 ppm	958BB 958BC 958BD 958BE	958HBB 958HBC 958HBD 958HBE
-30....+70°C	± 1.0 ppm ± 2.0 ppm ± 2.5 ppm	958CB 958CD 958CE	958HCB 958HCD 958HCE
-40....+85°C	± 1.0 ppm ± 2.0 ppm ± 2.5 ppm	958EB 958ED 958EE	958HEB 958HED 958HEE

Note: Model 958 custom versions available with output waveforms of ACMOS, SINE, ECL & PECL

**Additional Parameters**

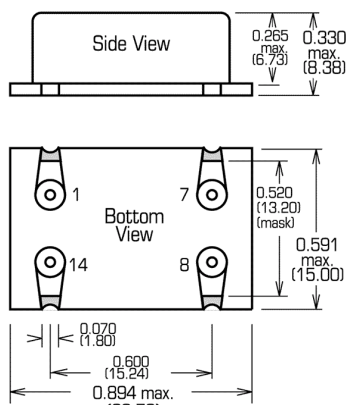
Supply Voltage: +5 Vdc ± 5%  
Current  
Clipped Sinewave: 2 mA to 6 mA  
CMOS: 10 mA to 00 mA  
Aging: ± 1 ppm/year  
Mechanical Frequency Control: ± 3.5 ppm min.  
Electrical Frequency Control  
Voltage Range: 0.5 to 4.5 Vdc  
Deviation: ± 8 ppm min.  
(others available)  
Slope: Positive  
Input Impedance: > 10 kohms

**Typical Phase Noise @ 10 MHz**

1Hz Offset <- 55 dBc / Hz  
10Hz Offset <-90 dBc / Hz  
100Hz Offset <-120 dBc / Hz  
1kHz Offset <-140dBc / Hz  
10kHz Offset <-150dBc / Hz

**Enclosures**

**SMT "S" Package**

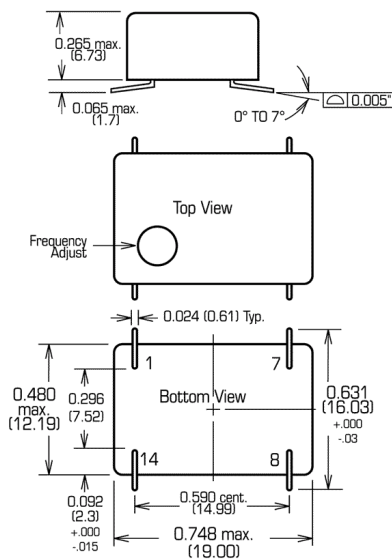


**PIN CONNECTIONS**

- 1 - Voltage Control or N/C
- 7 - GND
- 8 - RF Output
- 14 - Vcc

Dimensions: Inches (mm)

**Gullwing "G" Package**

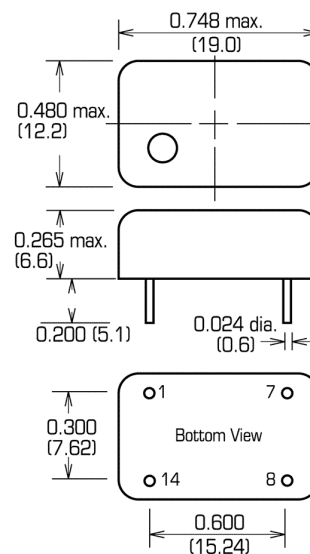


**PIN CONNECTIONS**

- 1 - Voltage Control or N/C
- 7 - GND
- 8 - RF Output
- 14 - Vcc

Dimensions: Inches (mm)

**Through-hole "T" Package**



**PIN CONNECTIONS**

- 1 - EFC when specified (Pin 1 eliminated when not required.)
- 7 - GND
- 8 - RF Output
- 14 - Supply Voltage

Dimensions: Inches (mm)

Model	EFC	Waveshape Freq. Stab. Temp. Range	Package Code	Frequency
958	Blank = No EFC V= EVC Option	HAA	T = Through-hole S = SMT G = Gullwing	10M0000

\* Typical P/N = 958VHAAT10

Note: Package is non-hermetic