

APPLICATIONS

PCS Base Stations
Cellular Base Stations
Synthesizers
Test Equipment
Avionics

FEATURES

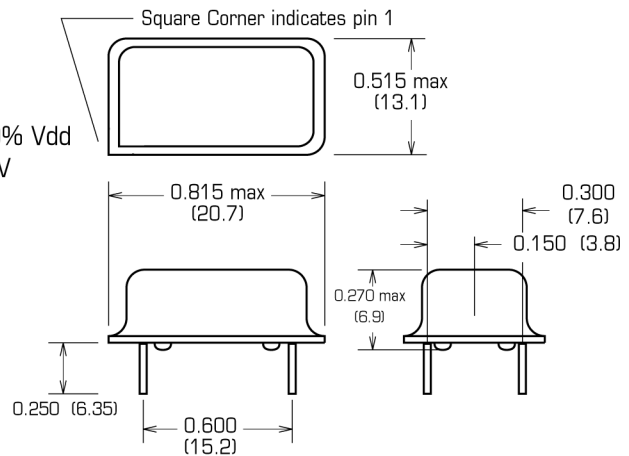
4-Pin DIP Package
Commercial & Industrial Temperature Ranges
Wide Frequency Range

1.5 – 85 MHz

722 SERIES NUMBER:	□ TEMPERATURE STABILITY CODE	□ ACCURACY @ 25° C	□ OUTPUT WAVEFORM	□ OUTPUT ENABLE @ PIN 1	□□□M□□□□ FREQUENCY (MHz)
1	0° C to +70° C ± 100 ppm	A: ±15 ppm	T: TTL	E: Required	
2	0° C to +70° C ± 50 ppm	B: ±25 ppm	C: CMOS	X: Not Required	
3	0° C to +70° C ± 25 ppm	C: ±50 ppm			
4	0° C to +70° C ± 15 ppm	D: ±100 ppm			
5	-40° C to +85° C ± 100 ppm				
6	-40° C to +85° C ± 50 ppm				
7	-40° C to +85° C ± 25 ppm				

ADDITIONAL PARAMETERS

Input Voltage: + 5 Vdc ± 10%
 Input Current
 1.5 to 23.9 MHz: 20 mA max.
 24 to 85.0 Mhz: 40 mA max.
 Output: CMOS or TTL Compatible
 Duty Cycle: CMOS: 50% ± 10% @ 50% Vdd
 TTL: 50% ± 10% @ 1.4 V
 Start-Up Time: 10 msec. max.
 Rise & Fall Times for TTL
 (meas. 0.8 to 2.0 V)
 1.5 to 23.9 MHz: 10ns max.
 24 to 85.0 MHz: 5ns max.
 Rise & Fall Times for CMOS
 (meas. 20% to 80%)
 1.5 to 23.9 MHz: 15ns max.
 24 to 85.0 MHz: 10ns max.
 Aging: ± 5 ppm max. Year 1;
 ± 3 ppm max./year thereafter
 Storage Temperature: -55° C to +125° C
 Options: Tri-State Control



Dimensions: Inches (mm)

PIN CONNECTIONS

- 1 – Tri-State Control or N/C
- 7 – GND
- 8 – Output
- 14 – Supply Voltage