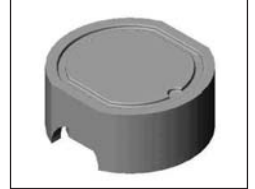


# SMT Power Inductor

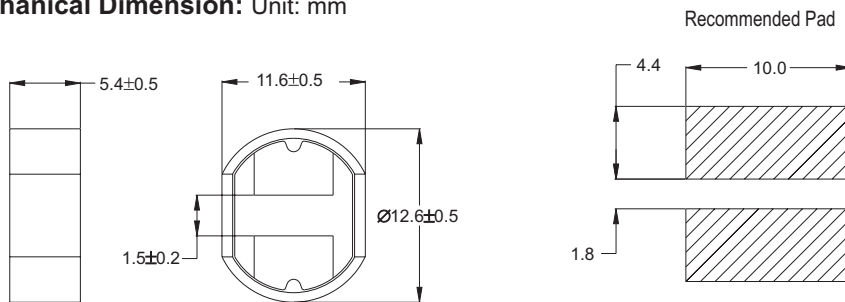
## SIR136 Type

### Features

- Low profile (5.9mm max. Height) SMD type.
- Magnetically shielded.
- Self-leads, suitable for high density mounting.
- High energy storage and low DCR.
- Provided with embossed carrier tape packing.
- Ideal for power source circuits, DC-DC converter, DC-AC inverters inductor application.
- In addition to the standard versions shown here, custom inductors are available to meet your exact requirements.

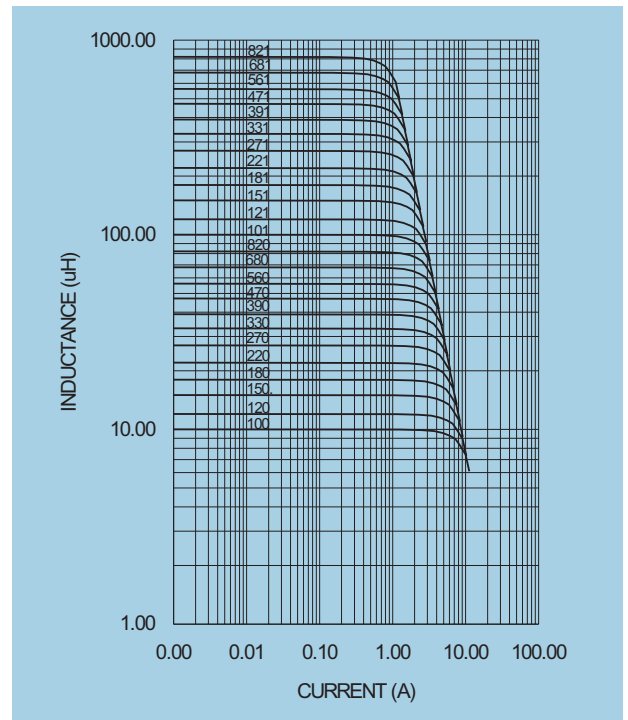


### Mechanical Dimension: Unit: mm



### Electrical Characteristics:

PART NO.	L* (uH)	DCR (Ω) MAX	I <sub>RATED</sub> ** (A dc)
SIR136 - 100	10	0.05	2.65
SIR136 - 120	12	0.05	2.50
SIR136 - 150	15	0.06	2.45
SIR136 - 180	18	0.06	2.40
SIR136 - 220	22	0.07	2.20
SIR136 - 270	27	0.08	2.00
SIR136 - 330	33	0.10	1.80
SIR136 - 390	39	0.11	1.65
SIR136 - 470	47	0.12	1.50
SIR136 - 560	56	0.15	1.38
SIR136 - 680	68	0.17	1.26
SIR136 - 820	82	0.20	1.14
SIR136 - 101	100	0.25	1.05
SIR136 - 121	120	0.28	0.95
SIR136 - 151	150	0.40	0.85
SIR136 - 181	180	0.48	0.77
SIR136 - 221	220	0.52	0.70
SIR136 - 271	270	0.70	0.63
SIR136 - 331	330	0.80	0.57
SIR136 - 391	390	1.08	0.52
SIR136 - 471	470	1.20	0.48
SIR136 - 561	560	1.34	0.44
SIR136 - 681	680	1.78	0.40
SIR136 - 821	820	2.00	0.36



★ Tolerance of inductance

10~18uH±20% 22~820uH±20%/-15%

★★ I<sub>RATED</sub>: rated current. 10~18uH ΔL<25%, 22~820uH ΔL<20%, ΔT<45°C at I<sub>RATED</sub>

★★★ Operating temperature: -20°C to 105°C (including self-temperature rise)

★★★★ Test condition at 25°C: 10~18uH 100KHz, 0.1V 100~820uH 1KHz, 1V



沙井欣旺电子有限公司

XINWANG ELECTRONICS, INC.  
 TEL: 0755-29696626 FAX: 0755-27289711  
 E-mail: zhangxf815@163.com