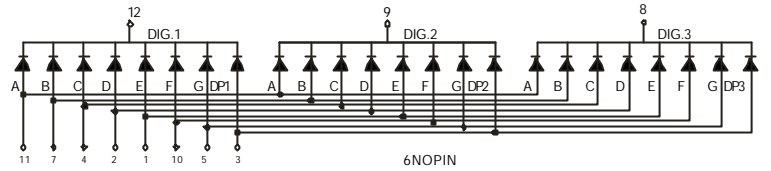
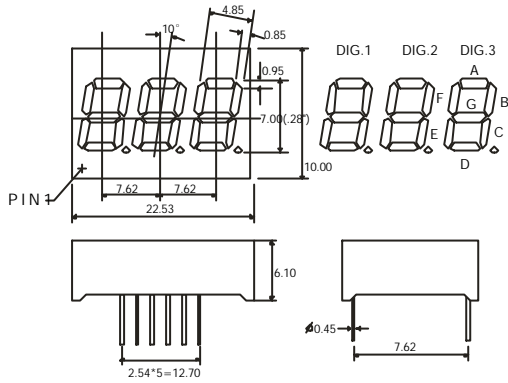
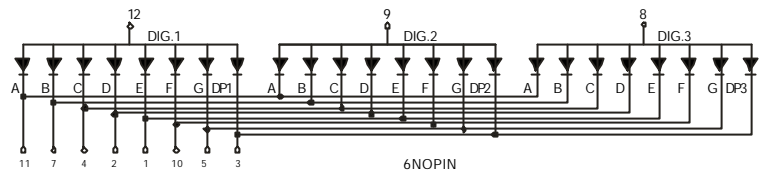


Package Description	Part No.	C.C.orC.A.	Chip		Electro-optical Characteristics(Typ.)			Face Color
			Material	Emitting Color	λ P(nm)	V_f /Seg(V)	I_v /Seg(mcd)	
					20mA	20mA	10mA	
0.28"(7.00mm)Triple Display	LTD028AG-10	C.C.	GaP	Green	570	2.2	1.5	Black
	LTD028BSR-10	C.A.	GaAlAs	HighRed	660	1.8	2.0	Black

LTD028A

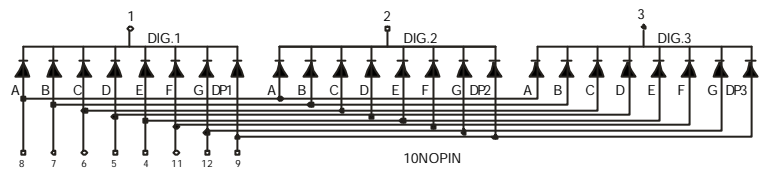
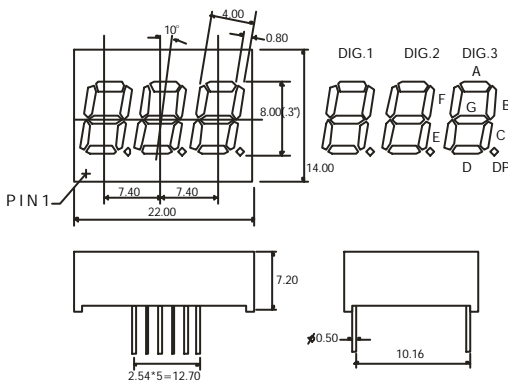


LTD028B

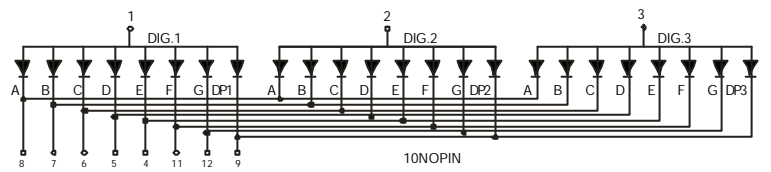


0.3"(8.00mm)Triple Display	LTD030AG-10	C.C.	GaP	Green	570	2.2	1.5	Black
	LTD030BSR-10	C.A.	GaAlAs	HighRed	660	1.8	2.0	Black

LTD030A

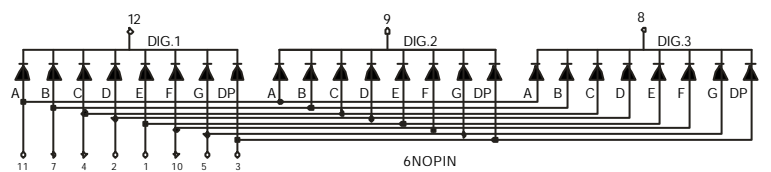
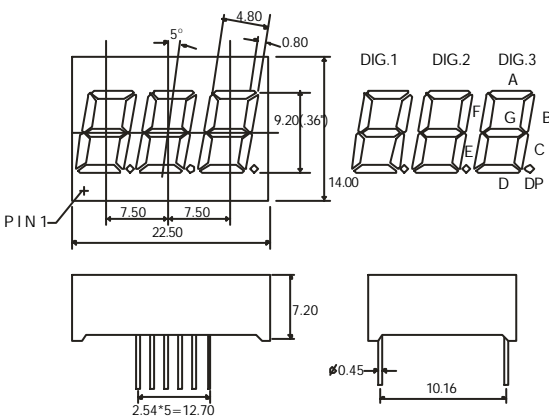


LTD030B



0.36"(9.20mm)Triple Display	LTD036AG-10	C.C.	GaP	Green	570	2.2	1.5	Black
	LTD036BSR-10	C.A.	GaAlAs	HighRed	660	1.8	2.0	Black

LTD036A



LTD036B

