

0.28 THREE DIGIT NUMERIC DISPLAY

LIN-2832XX ULTRA RED

LIN-2833XX ULTRA RED

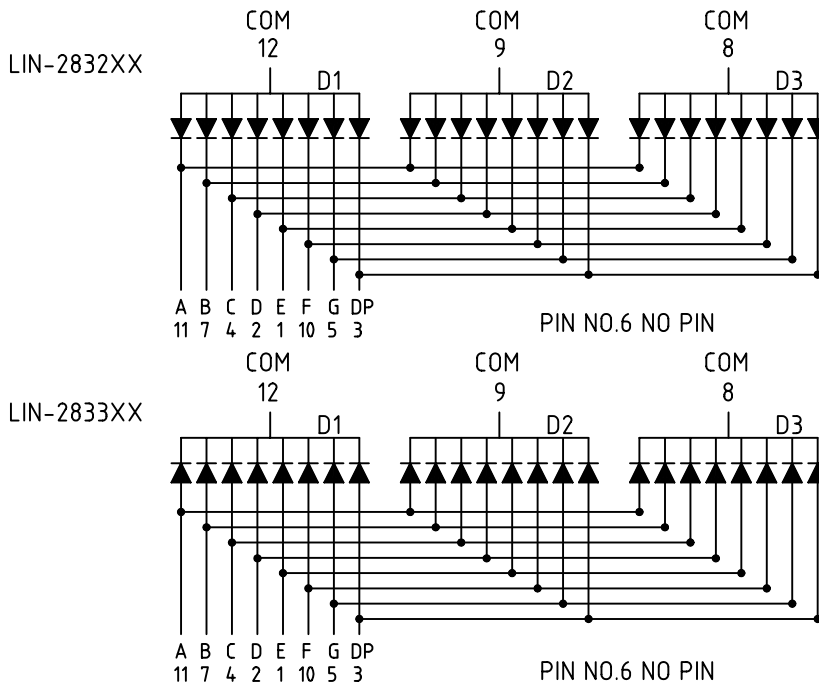
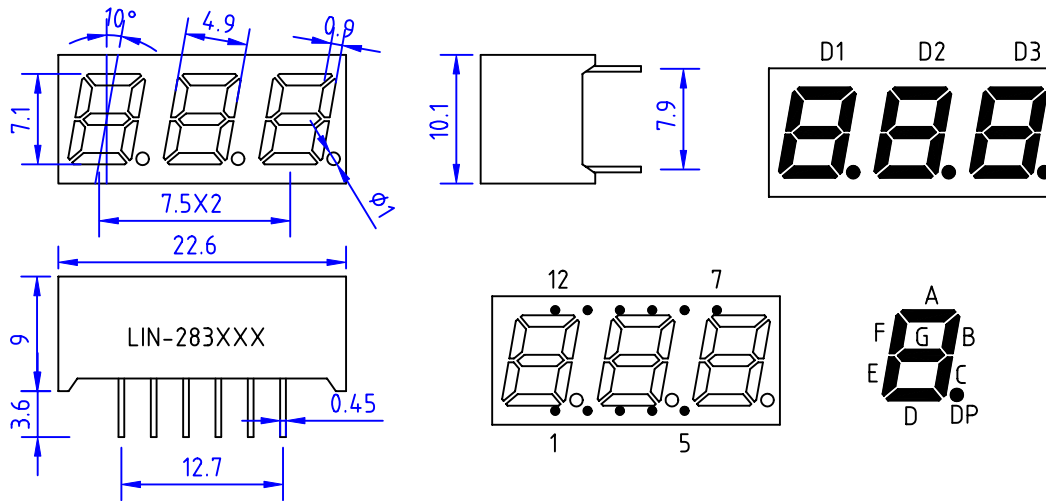
Features

- 0.28 DIGIT HEIGHT
- EXCELLENT CHARACTER APPEARANCE
- EASY MOUNTING ON P.C.BOARDS OR SOCKETS.
- I.C. COMPATIBLE.
- MECHANICALLY RUGGED.
- STANDARD: BLACK /GRAY FACE, WHITE SEGMENT.

Description

The Ultra Red source color devices are made with Gallium Arsenide Phosphide on Gallium Phosphide Ultra Red Light Emitting Diode.

Package Dimensions & Internal Circuit Diagram



Notes:

- 1.All dimensions are in millimeters (inches), Tolerance is +/-0.25(0.01") unless otherwise noted.
- 2.Specifications are subject to change without notice.

Absolute Maximum Rating (Ta=25 °C)

| Parameter | Symbol | Red (GaAlAs/GaAs,SH) | Unit |
|-----------------------------|------------------|-------------------------|------|
| Continuous Forward current | I _{AF} | 30 | mA |
| Peak forward current (Duty) | I _{PF} | 200 | mA |
| Reverse voltage | V _R | 5 | V |
| Operating temp. | T _{OPR} | -20~+85 | °C |
| Storage temp. | T _{STG} | -25~+85 | °C |

*Soldering Bath : not more than 3 seconds @260°C. The bottom ends of plastic reflector should be at least 2 mm above the solder surface.

Soldering Iron : not more than 3 seconds @300°C under 30 W.

ELECTRO-OPTICAL CHARACTERISTICS (Ta=25 °C)

| | Symbol | Condition | Min. | Typ. | Max. | Unit |
|--------------------------|-----------------------|----------------------|------|------|------|------|
| Forward Voltage | V _F | I _F =20mA | 1.8 | 2.0 | 2.2 | V |
| Reverse Current | I _R | V _R =5V | | | 100 | μA |
| Luminous Intensity | I _v | I _F =20mA | | | | mcd |
| Peak Emission Wavelength | λ _p Hue | I _F =20mA | | 637 | | nm |
| | | | | 633 | | |
| Spectral Line Half-Width | λ | I _F =20mA | | 20 | | nm |