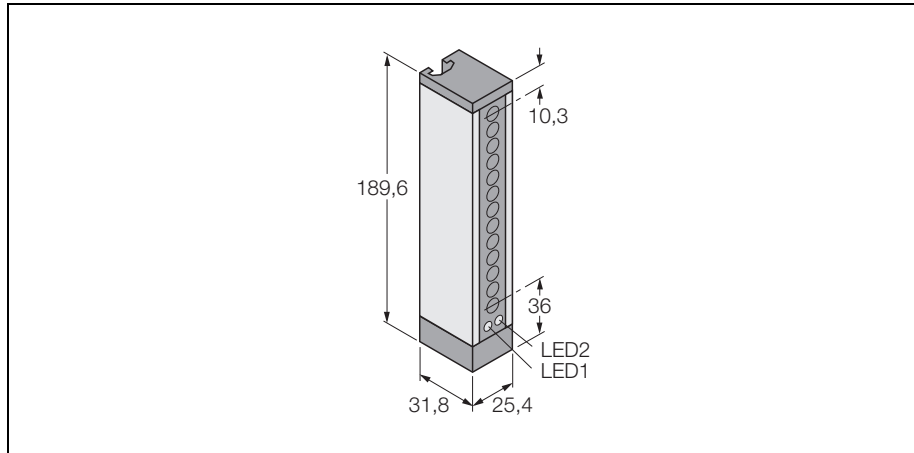
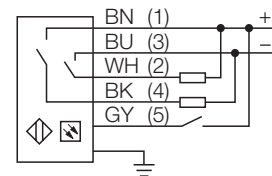


Photoelectric sensor receiver LX6R



- minimum object size 9.5mm
- connection-programmable for reduced sensing range
- operational voltage 10..0.30 VDC
- degree of protection IP67

Wiring diagram



Light screens are especially suited to monitor large areas. They consist of an emitter and a receiver unit. Switching or measuring light screens are available in heights of up to 1.8 m.

Type	LX6R
Ident-No.	3002676
Operating mode	Light screen
Max. sensing range [m]	0,3... 2 m
Height of sensing area	143 mm
Operating temperature	-20 ...+ 70 °C
Rated operational voltage (DC) U_B	10... 30 VDC
Rated operational current (DC) I_e	≤ 150 mA
No-load current I_0	≤ 100 mA
Short-circuit protection	yes, cyclic
Reverse polarity protection	yes
Output function	normally open, PNP/NPN
Switching frequency	≤ 120 Hz
Housing style	rectangular; LX
Dimensions	31,8 x 25,4 x 189,6 mm
Housing material	metal, AL
Lens	Plastic, Acrylic
Wiring	cable
Cable length	2 m
Cable cross section	5 x 0,5 mm ²
Degree of protection	IP67
Switching status indication	LED yellow
Error indication	LED red flashing