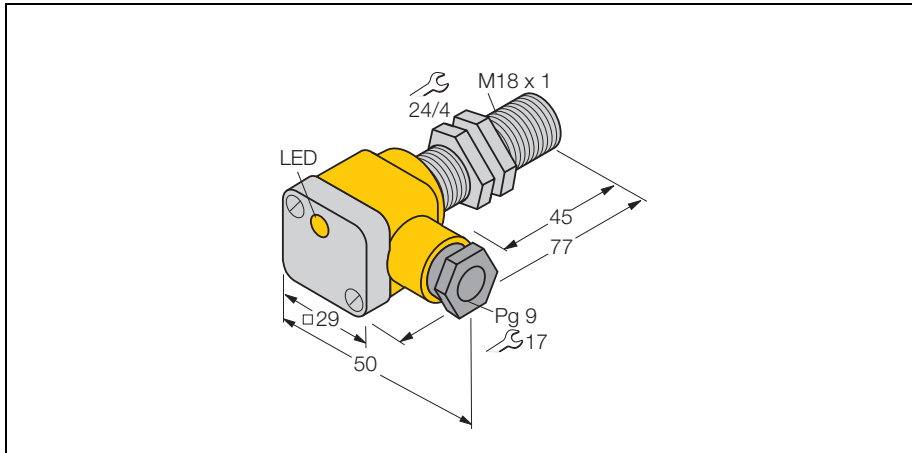


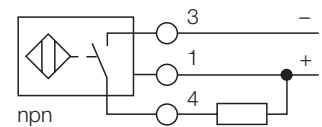
**Inductive sensor**

**Bi5U-EG18SK-AN6X**



- threaded barrel, M18 x 1
- stainless steel, 1.4301
- factor 1 for all metals
- degree of protection IP68
- magnetic field immune
- extended temperature range
- high switching frequency
- 3-wire DC, 10...30 VDC
- normally open npn output
- terminal chamber

**Wiring diagram**



**Function principles**

Inductive proximity switches are designed for wear-free non-contact detection of metal objects. Due to a ferrite-less 3-coil system, Uprox factor 1 sensor have distinct advantages. The detect all metals at the same switching distance, are magnetic field immune and feature large switching distances.

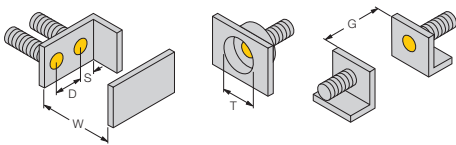
<b>Type</b>	Bi5U-EG18SK-AN6X
Ident-No.	1635420
<b>Rated operating distance <math>S_n</math></b>	5 mm
Mounting mode	flush
Hysteresis (switching distance)	3... 15 %
Min. repeat accuracy	≤ 2 %
Temperature drift	≤ ± 10 %
Operating temperature	≤ ± 15 %, ≤ -25 °C v ≥ +70 °C -30 ...+ 85 °C
<b>Rated operational voltage (DC) <math>U_B</math></b>	10... 30 VDC
Max. ripple	≤ 10 % $U_{pp}$
Rated operational current (DC) $I_e$	≤ 200 mA
No-load current $I_0$	≤ 15 mA
Max. OFF-state current	≤ 0,1 mA
Max. switching frequency	≤ 2,5 kHz
Rated insulation voltage	≤ 0,5 kV
Output function	3-wire, normally open, NPN
Short-circuit protection	yes, cyclic
Max. voltage drop at $I_e$	≤ 1,8 V
Wire breakage / reverse polarity protection	yes / complete
Protection class	☐
<b>Housing style</b>	threaded barrel; M18 x 1
Dimensions	77 mm
Housing material	metal, A2 1.4301 (AISI 304)
Active face	plastic, PBT
Max. fixing torque of coupling nut	25 Nm
Wiring	terminal chamber
Clamping ability	≤ 2,5 mm <sup>2</sup>
External diameter cabel	4,5... 8 mm
Vibration resistance	55 Hz (1 mm)
Shock resistance	30 x g (11 ms)
Degree of protection	IP68
<b>Switching status indication</b>	LED yellow
Included with sensor	cable gland, 2x plastic seals

***uproX***<sup>®</sup>**Inductive sensor****Bi5U-EG18SK-AN6X****Mounting instructions**

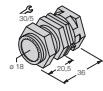
	minimum gap
Gap D	2 x B
Gap W	3 x Sn
Gap T	3 x B
Gap S	1,5 x B
Gap G	6 x Sn

**Diameter of active face B**

Ø 18 mm



**Inductive sensor****Bi5U-EG18SK-AN6X****Accessories**

Typ	Ident-No.	Description	Dimension drawing
QM-18	6945102	quick-mount fixing clamp with dead-stop; material: chrome-plated brass external thread M24 x 1,5.	
BST-18B	6947214	fixing clamp with dead-stop; material: PA6	