

ATTENUATORS

7/16 - DIN

up to 7.5 GHz

50 Watts

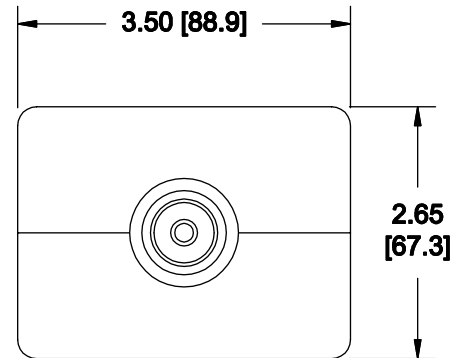


MODELS: XD50W-XX, XD50W-XXF & XD50W-XXM

SPECIFICATIONS:

Electrical:

Frequency Range	DC - 7.5 GHz
Standard Freq. Values	4 & 7.5 GHz
Standard dB Values*	3, 6, 10, 20, 30 & 40 dB
Attenuation Accuracy	
3, 6, 10 & 20 dB	±0.75 dB
30 dB	±1.0 dB
40 dB	±1.25 dB
VSWR	1.35:1 Max.
Input Power	50 Watts Avg. @ 25°C
	DERATED LINEARLY TO 10 WATTS @ +125°C
Peak Power	500 Watts Max.
	(5uSec Pulse, .05% Duty Cycle)
Impedance	50 Ohms
Operating Temp Range	-65°C to +125°C



END VIEW
TYPICAL

Mechanical:

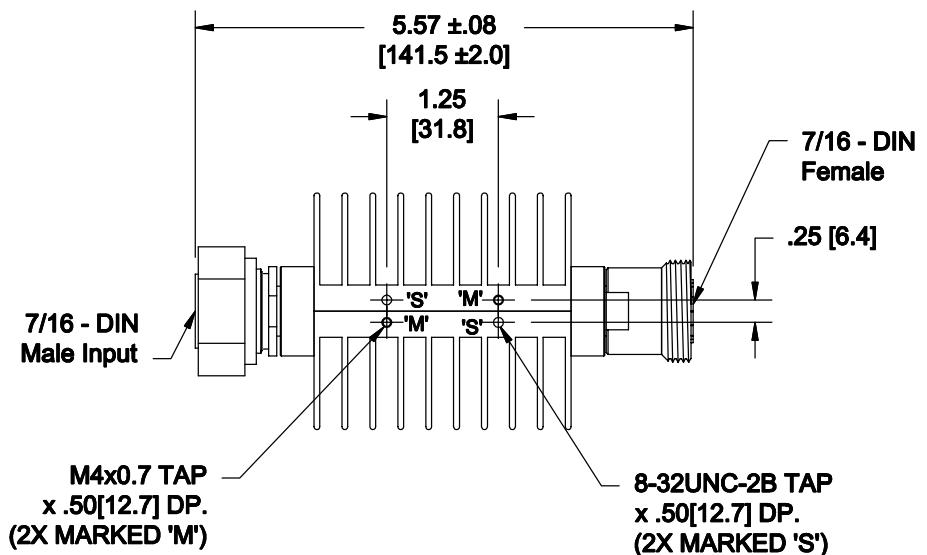
7/16 DIN Connectors	Silver Plated Brass
	<small>IAW DIN 47 223</small>
Conductors	Silver Plated Beryllium Copper or Brass
Housing	Anodized Aluminum

Units must be Mounted in such a way as to Allow for Free Air Flow Around fins to Insure Performance

Model Number: **XD50W-XX**
Male/Female Connectors
As Pictured

Model Number: **XD50W-XXF**
Female/Female Connectors
Length: 5.70±.08 [144.8 ±2.0]

Model Number: **XD50W-XXM**
Male/Male Connectors
Length: 5.44 ±.08 [138.2 ±2.0]



HOW TO ORDER:

Model Number: **XD50W-XXY**

Freq. Range
4 = DC - 4 GHz
7 = DC - 7.5 GHz

Connector Configuration
= Male/Female
F = Fem/Fem
M = Male/Male

dB Value

Ordering Examples:

Model Number: **7D50W-20**
DC - 7.5 GHz; 20 dB; 7/16 - DIN; Male/Fem

Model Number: **7D50W-3F**
DC - 7.5 GHz; 3 dB; 7/16 - DIN; Fem/Fem

Model Number: **4D50W-10M**
DC - 4.0 GHz; 10 dB; 7/16 - DIN; Male/Male

Note: Dimensions in Brackets are Expressed in Millimeters and are for Reference Only.

*Other dB units are also available. Units that operate over a more specific frequency band and/or offer very low return loss (VSWR) are also available.

7D50W-ATT; REV F