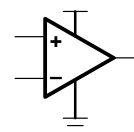


# TLV2620, TLV2621, TLV2622, TLV2623, TLV2624, TLV2625, TLV262xA FAMILY OF LOW-POWER WIDE BANDWIDTH SINGLE SUPPLY OPERATIONAL AMPLIFIERS WITH SHUTDOWN

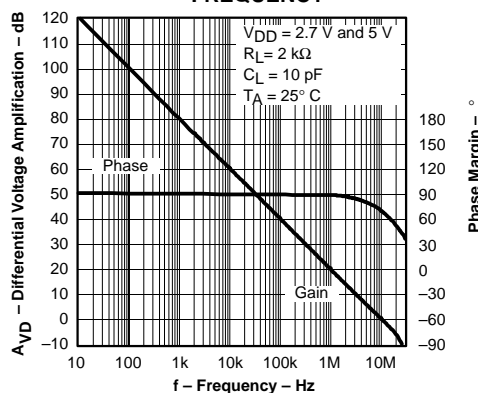
SLOS251B – DECEMBER 2000 – REVISED APRIL 2001

- CMOS Rail-To-Rail Output
- $V_{ICR}$  Includes Positive Rail
- Wide Bandwidth . . . 11 MHz
- Slew Rate . . . 10 V/ $\mu$ s
- Supply Current . . . 800  $\mu$ A/Channel
- Input Noise Voltage . . . 27 nV/ $\sqrt{\text{Hz}}$
- Ultralow Power Down Mode
  - $I_{DD}(\text{SHDN}) = 4 \mu\text{A/Channel}$
- Supply Voltage Range . . . 2.7 V to 5.5 V
- Specified Temperature Range
  - $-40 \text{ C to } 125 \text{ C}$  . . . Industrial Grade
- Ultrasmall Packaging
  - 5 or 6 Pin SOT-23 (TLV2620/1)
  - 8 or 10 Pin MSOP (TLV2622/3)
- Universal Opamp EVM (See SLOU060 for More Information)

## Operational Amplifier



DIFFERENTIAL VOLTAGE AMPLIFICATION AND PHASE  
VS  
FREQUENCY



## description

The TLV262x single supply operational amplifiers provide rail-to-rail output with an input range that includes the positive rail. The TLV262x takes the minimum operating supply voltage down to 2.7 V over the extended industrial temperature range ( $-40^{\circ}\text{C}$  to  $125^{\circ}\text{C}$ ) while adding the rail-to-rail output swing feature. The TLV262x also provides 11-MHz bandwidth from only 800  $\mu\text{A}$  of supply current. The maximum recommended supply voltage is 5.5 V, which, when coupled with a 2.7-V minimum, allows the devices to be operated from lithium ion cells.

The combination of wide bandwidth, low noise, and low distortion makes it ideal for high speed and high resolution data converter applications. The positive input range allows it to directly interface to positive rail referred systems.

All members are available in PDIP and SOIC with the singles in the small SOT-23 package, duals in the MSOP, and quads in the TSSOP package.

The 2.7-V operation makes it compatible with Li-Ion powered systems and the operating supply voltage range of many micro-power micro-controllers available today including TI's MSP430.

AMPLIFIER SELECTION TABLE

DEVICE	$V_{DD}$ [V]	$I_{DD}/\text{ch}$ [ $\mu\text{A}$ ]	$V_{IO}$ [ $\mu\text{V}$ ]	$I_{IB}$ [pA]	$V_{ICR}$ [V]	GBW [MHz]	SLEW RATE [V/ $\mu\text{s}$ ]	$V_n$ , 1 kHz [nV/ $\sqrt{\text{Hz}}$ ]	$I_O$ [mA]	SHUT-DOWN
TLV262x	2.7–5.5	750	250	1	1 V to $V_{DD} + 0.2$	11	10	27	28	Y
TLV263x†	2.7–5.5	750	250	1	GND to $V_{DD} - 0.8$	10	9	27	28	Y
TLV278x	1.8–3.6	650	250	2.5	$-0.2$ to $V_{DD} + 0.2$	8	5	9	10	Y
TLC07x	4.5–16	1900	60	1.5	$0.5$ to $V_{DD} - 0.8$	10	19	7	55	Y
TLC08x	4.5–16	1900	60	3	GND to $V_{DD} - 1$	10	19	8.5	55	Y

† This device is in the Product Preview stage of development. Contact your local TI sales office for availability.



Please be aware that an important notice concerning availability, standard warranty, and use in critical applications of Texas Instruments semiconductor products and disclaimers thereto appears at the end of this data sheet.

PRODUCTION DATA information is current as of publication date. Products conform to specifications per the terms of Texas Instruments standard warranty. Production processing does not necessarily include testing of all parameters.

 **TEXAS  
INSTRUMENTS**

POST OFFICE BOX 655303 • DALLAS, TEXAS 75265

Copyright © 2001, Texas Instruments Incorporated

# TLV2620, TLV2621, TLV2622, TLV2623, TLV2624, TLV2625, TLV262xA FAMILY OF LOW-POWER WIDE BANDWIDTH SINGLE SUPPLY OPERATIONAL AMPLIFIERS WITH SHUTDOWN

SLOS251B – DECEMBER 2000 – REVISED APRIL 2001

## TLV2620 and TLV2621 AVAILABLE OPTIONS

T <sub>A</sub>	V <sub>IOMax</sub> AT 25°C	PACKAGED DEVICES			
		SMALL OUTLINE (D)†	SOT-23		PLASTIC DIP (P)
			(DBV)‡	SYMBOL	
-40°C to 125°C	3500 µV	TLV2620ID TLV2621ID	TLV2620IDBV TLV2621IDBV	VBAI VBBI	TLV2620IP TLV2621IP

† This package is available taped and reeled. To order this packaging option, add an R suffix to the part number (e.g., TLV2620IDR).

‡ The SOT23 package devices are only available taped and reeled. The R Suffix denotes quantities (3,000 pieces per reel). For smaller quantities (250 pieces per mini-reel), add a T suffix to the part number (e.g. TLV2620IDBVT).

## TLV2622 and TLV2623 AVAILABLE OPTIONS

T <sub>A</sub>	V <sub>IOMax</sub> AT 25°C	PACKAGED DEVICES						
		SMALL OUTLINE† (D)	MSOP				PLASTIC DIP (N)	PLASTIC DIP (P)
			(DGK)†	SYMBOL	(DGS)†	SYMBOL		
-40°C to 125°C	3500 µV	TLV2622ID TLV2623ID	TLV2622IDGK —	xxTIAKM —	— TLV2623IDGS	— xxTIALC	— TLV2623IN	TLV2622IP —

† This package is available taped and reeled. To order this packaging option, add an R suffix to the part number (e.g., TLV2622IDR).

## TLV2624 and TLV2625 AVAILABLE OPTIONS

T <sub>A</sub>	V <sub>IOMax</sub> AT 25°C	PACKAGED DEVICES		
		SMALL OUTLINE (D)†	PLASTIC DIP (N)	TSSOP (PW)
-40°C to 125°C	3500 µV	TLV2624ID TLV2625ID	TLV2624IN TLV2625IN	TLV2624IPW TLV2625IPW

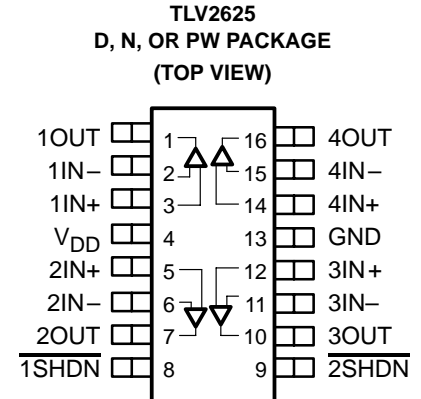
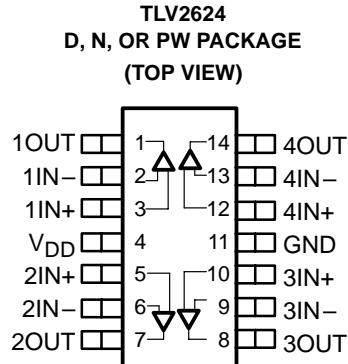
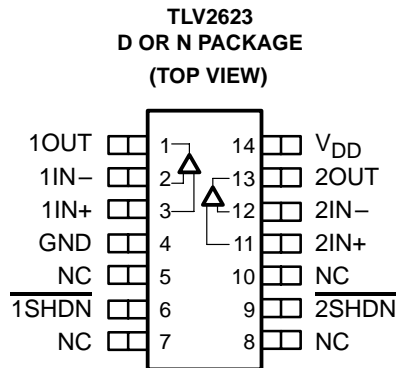
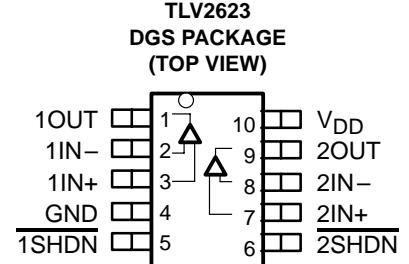
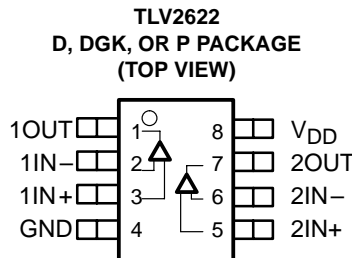
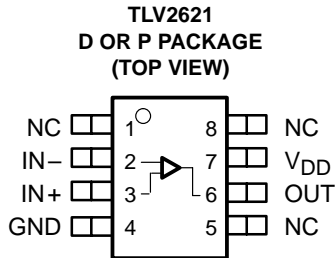
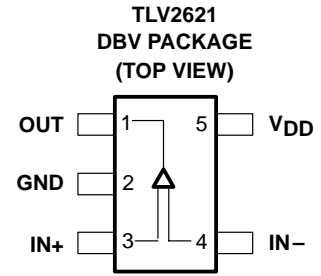
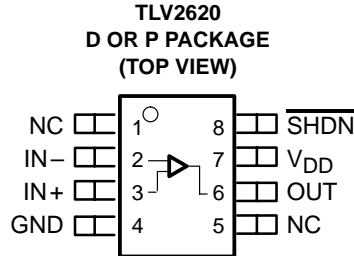
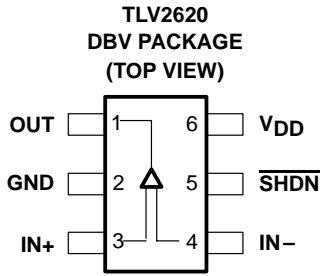
† This package is available taped and reeled. To order this packaging option, add an R suffix to the part number (e.g., TLV2624IDR).



# TLV2620, TLV2621, TLV2622, TLV2623, TLV2624, TLV2625, TLV262xA FAMILY OF LOW-POWER WIDE BANDWIDTH SINGLE SUPPLY OPERATIONAL AMPLIFIERS WITH SHUTDOWN

SLOS251B – DECEMBER 2000 – REVISED APRIL 2001

## TLV262x PACKAGE PINOUTS



NC – No internal connection

# TLV2620, TLV2621, TLV2622, TLV2623, TLV2624, TLV2625, TLV262xA FAMILY OF LOW-POWER WIDE BANDWIDTH SINGLE SUPPLY OPERATIONAL AMPLIFIERS WITH SHUTDOWN

SLOS251B – DECEMBER 2000 – REVISED APRIL 2001

## absolute maximum ratings over operating free-air temperature range (unless otherwise noted)†

Supply voltage, $V_{DD}$ (see Note 1)	6 V
Differential input voltage, $V_{ID}$	$\pm V_{DD}$
Input voltage range, $V_I$ (see Note 1)	1 to $V_{DD} + 0.2$ V
Input current, $I_I$ (any input)	$\pm 10$ mA
Output current, $I_O$	$\pm 40$ mA
Continuous total power dissipation	See Dissipation Rating Table
Operating free-air temperature range, $T_A$ : I suffix	$-40^\circ\text{C}$ to $125^\circ\text{C}$
Maximum junction temperature, $T_J$	$150^\circ\text{C}$
Storage temperature range, $T_{stg}$	$-65^\circ\text{C}$ to $150^\circ\text{C}$
Lead temperature 1,6 mm (1/16 inch) from case for 10 seconds	$260^\circ\text{C}$

† Stresses beyond those listed under “absolute maximum ratings” may cause permanent damage to the device. These are stress ratings only, and functional operation of the device at these or any other conditions beyond those indicated under “recommended operating conditions” is not implied. Exposure to absolute-maximum-rated conditions for extended periods may affect device reliability.

NOTE 1: All voltage values, except differential voltages, are with respect to GND.

DISSIPATION RATING TABLE

PACKAGE	$\theta_{JC}$ ( $^\circ\text{C}/\text{W}$ )	$\theta_{JA}$ ( $^\circ\text{C}/\text{W}$ )	$T_A \leq 25^\circ\text{C}$ POWER RATING	$T_A = 125^\circ\text{C}$ POWER RATING
D (8)	38.3	176	710 mW	142 mW
D (14)	26.9	122.3	1022 mW	204.4 mW
D (16)	25.7	114.7	1090 mW	218 mW
DBV (5)	55	324.1	385 mW	77.1 mW
DBV (6)	55	294.3	425 mW	85 mW
DGK (8)	54.2	259.9	481 mW	96.1 mW
DGS (10)	54.1	259.7	485 mW	97 mW
N (14, 16)	32	78	1600 mW	320.5 mW
P (8)	41	104	1200 mW	240.4 mW
PW (14)	29.3	173.6	720 mW	144 mW
PW (16)	28.7	161.4	774 mW	154.9 mW

## recommended operating conditions

		MIN	MAX	UNIT
Supply voltage, $V_{DD}$	Single supply	2.7	5.5	V
	Split supply	$\pm 1.35$	$\pm 2.75$	
Common-mode input voltage range, $V_{ICR}$		1	$V_{DD} + 0.2$	V
Operating free-air temperature, $T_A$	I-suffix	-40	125	$^\circ\text{C}$
Shutdown on/off voltage level‡	$V_{IL}$		0.4	V
	$V_{IH}$	2		

‡ Relative to GND.



**TLV2620, TLV2621, TLV2622, TLV2623, TLV2624, TLV2625, TLV262xA**  
**FAMILY OF LOW-POWER WIDE BANDWIDTH SINGLE SUPPLY**  
**OPERATIONAL AMPLIFIERS WITH SHUTDOWN**

SLOS251B – DECEMBER 2000 – REVISED APRIL 2001

**electrical characteristics at specified free-air temperature,  $V_{DD} = 2.7\text{ V}, 5\text{ V}$  (unless otherwise noted)**

**dc performance**

PARAMETER		TEST CONDITIONS	$T_A$	MIN	TYP	MAX	UNIT	
$V_{IO}$	Input offset voltage	$V_{IC} = V_{DD}/2,$ $V_O = V_{DD}/2,$ $R_S = 50\ \Omega$	25°C	250	3500		$\mu\text{V}$	
			Full range		4500			
$\alpha_{VIO}$	Temperature coefficient of input offset voltage		25°C	3			$\mu\text{V}/^\circ\text{C}$	
$CMRR$	Common-mode rejection ratio	$V_{IC} = 1\text{ to }V_{DD},$ $R_S = 50\ \Omega$	$V_{DD} = 2.7\text{ V}$		25°C	77	98	dB
					Full range	73		
			$V_{DD} = 5\text{ V}$		25°C	78	99	
					Full range	75		
$A_{VD}$	Large-signal differential voltage amplification	$V_{DD} = 2.7\text{ V}, R_L = 2\text{ k}\Omega, V_{O(PP)} = 1.7\text{ V}$  $V_{DD} = 5\text{ V}, R_L = 2\text{ k}\Omega, V_{O(PP)} = 4\text{ V}$	$V_{DD} = 2.7\text{ V}$		25°C	90	100	dB
					Full range	82		
			$V_{DD} = 5\text{ V}$		25°C	95	100	
					Full range	90		

**input characteristics**

PARAMETER		TEST CONDITIONS	$T_A^\dagger$	MIN	TYP	MAX	UNIT
$I_{IO}$	Input offset current	$V_{IC} = V_{DD}/2,$ $V_O = V_{DD}/2,$ $R_S = 50\ \Omega$	25°C	1	50		$\text{pA}$
			Full range		100		
$I_{IB}$	Input bias current		25°C	1	50		
			Full range		200		
$r_{i(d)}$	Differential input resistance		25°C	100		$\text{G}\Omega$	
$C_{i(c)}$	Common-mode input capacitance	$f = 1\text{ kHz}$	25°C	8		$\text{pF}$	

$^\dagger$  Full range is  $-40^\circ\text{C}$  to  $125^\circ\text{C}$  for the I suffix.



**TLV2620, TLV2621, TLV2622, TLV2623, TLV2624, TLV2625, TLV262xA**  
**FAMILY OF LOW-POWER WIDE BANDWIDTH SINGLE SUPPLY**  
**OPERATIONAL AMPLIFIERS WITH SHUTDOWN**

SLOS251B – DECEMBER 2000 – REVISED APRIL 2001

electrical characteristics at specified free-air temperature,  $V_{DD} = 2.7\text{ V}, 5\text{ V}$  (unless otherwise noted)  
 (continued)

**output characteristics**

PARAMETER		TEST CONDITIONS		$T_A^\dagger$	MIN	TYP	MAX	UNIT
$V_{OH}$	High-level output voltage	$V_{IC} = V_{DD}/2,$ $I_{OH} = -1\text{ mA}$	$V_{DD} = 2.7\text{ V}$	25°C	2.6	2.67		V
				Full range	2.55			
		$V_{DD} = 5\text{ V}$	25°C	4.95	4.98			
			Full range	4.9				
	$V_{IC} = V_{DD}/2,$ $I_{OH} = -10\text{ mA}$	$V_{DD} = 2.7\text{ V}$	25°C	2.3	2.43			
			Full range	2.25				
		$V_{DD} = 5\text{ V}$	25°C	4.7	4.8			
			Full range	4.6				
$V_{OL}$	Low-level output voltage	$V_{IC} = V_{DD}/2,$ $I_{OL} = 1\text{ mA}$	$V_{DD} = 2.7\text{ V}$	25°C		0.03	0.1	mV
				Full range		0.15		
		$V_{DD} = 5\text{ V}$	25°C		0.025	0.05		
			Full range		0.1			
	$V_{IC} = V_{DD}/2,$ $I_{OL} = 10\text{ mA}$	$V_{DD} = 2.7\text{ V}$	25°C		0.26	0.4		
			Full range		0.45			
		$V_{DD} = 5\text{ V}$	25°C		0.2	0.25		
			Full range		0.35			
$I_O$	Output current	$V_{DD} = 2.7\text{ V},$ $V_O = 0.5\text{ V}$ from rail	Sourcing	25°C		14		mA
			Sinking			19		
		$V_{DD} = 5\text{ V},$ $V_O = 0.5\text{ V}$ from rail	Sourcing			28		
			Sinking			28		
$I_{OS}$	Short-circuit output current	Sourcing	$V_{DD} = 2.7\text{ V}$	25°C		50		mA
			$V_{DD} = 5\text{ V}$			95		
		Sinking	$V_{DD} = 2.7\text{ V}$			50		
			$V_{DD} = 5\text{ V}$			95		

$^\dagger$  Full range is  $-40^\circ\text{C}$  to  $125^\circ\text{C}$  for the I suffix.

**power supply**

PARAMETER		TEST CONDITIONS		$T_A^\dagger$	MIN	TYP	MAX	UNIT
$I_{DD}$	Supply current (per channel)	$V_O = V_{DD}/2,$	$\overline{\text{SHDN}} = V_{DD}$	25°C		800	1000	$\mu\text{A}$
				Full range		1300		
PSRR	Supply voltage rejection ratio ( $\Delta V_{DD} / \Delta V_{IO}$ )	$V_{DD} = 2.7\text{ V}$ to $3.3\text{ V},$ $V_{IC} = V_{DD}/2$	No load	25°C	80	98		dB
				Full range	75			
		25°C		75	90			
		Full range		70				

$^\dagger$  Full range is  $-40^\circ\text{C}$  to  $125^\circ\text{C}$  for the I suffix.



**TLV2620, TLV2621, TLV2622, TLV2623, TLV2624, TLV2625, TLV262xA**  
**FAMILY OF LOW-POWER WIDE BANDWIDTH SINGLE SUPPLY**  
**OPERATIONAL AMPLIFIERS WITH SHUTDOWN**

SLOS251B – DECEMBER 2000 – REVISED APRIL 2001

**electrical characteristics at specified free-air temperature,  $V_{DD} = 2.7\text{ V}, 5\text{ V}$  (unless otherwise noted) (continued)**

**dynamic performance**

PARAMETER		TEST CONDITIONS		$T_A^\dagger$	MIN	TYP	MAX	UNIT
UGBW	Unity gain bandwidth	$R_L = 2\text{ k}\Omega$ ,	$C_L = 10\text{ pF}$	25°C		11		MHz
SR+	Positive slew rate at unity gain	$R_L = 2\text{ k}\Omega$ , $C_L = 50\text{ pF}$	$V_{DD} = 2.7\text{ V}$ , $V_{O(PP)} = 1.7\text{ V}$	25°C	5.4	9.5		V/ $\mu$ s
				0°C to 125°C	5.1			
				Full range	2.7			
			$V_{DD} = 5\text{ V}$ , $V_{O(PP)} = 3.5\text{ V}$	25°C	6	10		
				0°C to 125°C	5.3			
				Full range	3.4			
SR-	Negative slew rate at unity gain	$R_L = 2\text{ k}\Omega$ , $C_L = 50\text{ pF}$	$V_{DD} = 2.7\text{ V}$ , $V_{O(PP)} = 1.7\text{ V}$	25°C	5.4	8		V/ $\mu$ s
				0°C to 125°C	5.1			
				Full range	2.7			
			$V_{DD} = 5\text{ V}$ , $V_{O(PP)} = 3.5\text{ V}$	25°C	6	8		
				0°C to 125°C	5.3			
				Full range	3.4			
$\phi_m$	Phase margin	$R_L = 2\text{ k}\Omega$ ,	$C_L = 10\text{ pF}$	25°C	63°			
	Gain margin				8		dB	

$^\dagger$  Full range is  $-40^\circ\text{C}$  to  $125^\circ\text{C}$  for the I suffix.

**noise/distortion performance**

PARAMETER		TEST CONDITIONS		$T_A$	MIN	TYP	MAX	UNIT
THD + N	Total harmonic distortion plus noise	$V_{O(PP)} = V_{DD}/2$ , $R_L = 2\text{ k}\Omega$ , $f = 10\text{ kHz}$	$A_V = 1$	25°C	0.002%			
			$A_V = 10$		0.019%			
			$A_V = 100$		0.095%			
$V_n$	Equivalent input noise voltage	$f = 1\text{ kHz}$		25°C	53		nV/ $\sqrt{\text{Hz}}$	
			$f = 10\text{ kHz}$		27			
$I_n$	Equivalent input noise current	$f = 1\text{ kHz}$		25°C	0.9		fA/ $\sqrt{\text{Hz}}$	

**shutdown characteristics**

PARAMETER		TEST CONDITIONS		$T_A^\dagger$	MIN	TYP	MAX	UNIT
$I_{DD}(\text{SHDN})$	Supply current, per channel in shutdown mode (TLV2620, TLV2623, TLV2625)	SHDN = 0.4 V		25°C	4	11		$\mu\text{A}$
				Full range	13			
$t_{(\text{on})}$	Amplifier turnon time $^\ddagger$	$R_L = 2\text{ k}\Omega$	$V_{DD} = 2.7\text{ V}$	25°C	4.5			$\mu\text{s}$
			$V_{DD} = 5\text{ V}$		1.5			
$t_{(\text{off})}$	Amplifier turnoff time $^\ddagger$				200			ns

$^\dagger$  Full range is  $-40^\circ\text{C}$  to  $125^\circ\text{C}$  for the I suffix.

$^\ddagger$  Disable time and enable time are defined as the interval between application of the logic signal to  $\overline{\text{SHDN}}$  and the point at which the supply current has reached half its final value.



**TLV2620, TLV2621, TLV2622, TLV2623, TLV2624, TLV2625, TLV262xA**  
**FAMILY OF LOW-POWER WIDE BANDWIDTH SINGLE SUPPLY**  
**OPERATIONAL AMPLIFIERS WITH SHUTDOWN**

SLOS251B – DECEMBER 2000 – REVISED APRIL 2001

**TYPICAL CHARACTERISTICS**

**Table of Graphs**

			<b>FIGURE</b>
V <sub>IO</sub>	Input offset voltage	vs Common-mode input voltage	1, 2
CMRR	Common-mode rejection ratio	vs Frequency	3
V <sub>OH</sub>	High-level output voltage	vs High-level output current	4, 6
V <sub>OL</sub>	Low-level output voltage	vs Low-level output current	5, 7
I <sub>DD</sub>	Supply current	vs Supply voltage	8
I <sub>DD</sub>	Supply current	vs Free-air temperature	9
PSRR	Power supply rejection ratio	vs Frequency	10
A <sub>VD</sub>	Differential voltage amplification & phase	vs Frequency	11
	Gain-bandwidth product	vs Free-air temperature	12
SR	Slew rate	vs Supply voltage	13
		vs Free-air temperature	14, 15
φ <sub>m</sub>	Phase margin	vs Load capacitance	16
V <sub>n</sub>	Equivalent input noise voltage	vs Frequency	17
	Voltage-follower large-signal pulse response		18
	Voltage-follower small-signal pulse response		19
	Crosstalk	vs Frequency	20
I <sub>DD(SHDN)</sub>	Shutdown supply current	vs Free-air temperature	21
I <sub>DD(SHDN)</sub>	Shutdown supply current	vs Supply voltage	22
I <sub>DD(SHDN)</sub>	Shutdown supply current/output voltage	vs Time	23





TLV2620, TLV2621, TLV2622, TLV2623, TLV2624, TLV2625, TLV262xA  
 FAMILY OF LOW-POWER WIDE BANDWIDTH SINGLE SUPPLY  
 OPERATIONAL AMPLIFIERS WITH SHUTDOWN

SLOS251B – DECEMBER 2000 – REVISED APRIL 2001

TYPICAL CHARACTERISTICS

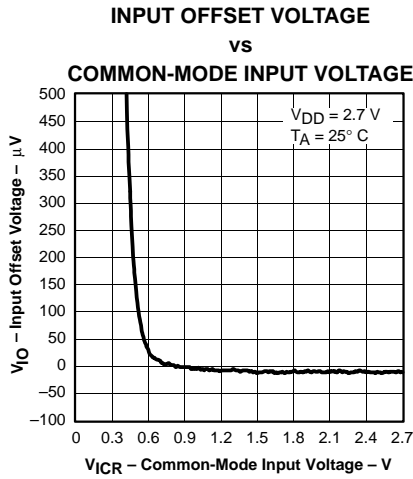


Figure 1

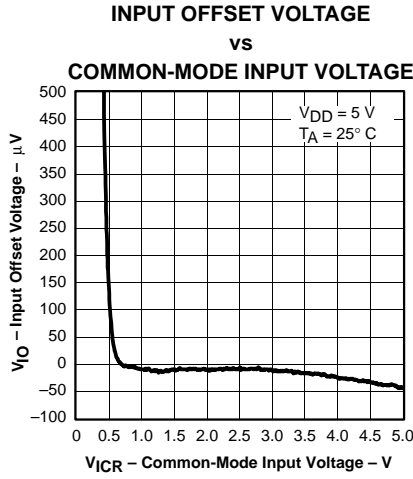


Figure 2

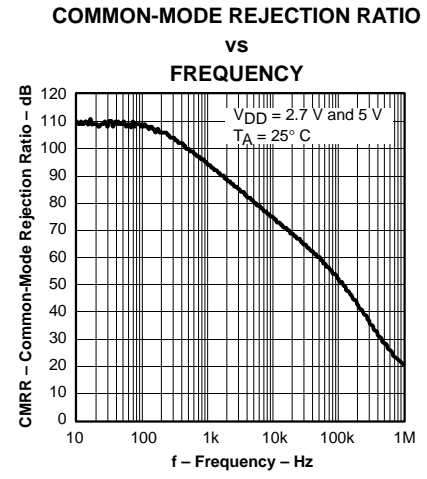


Figure 3

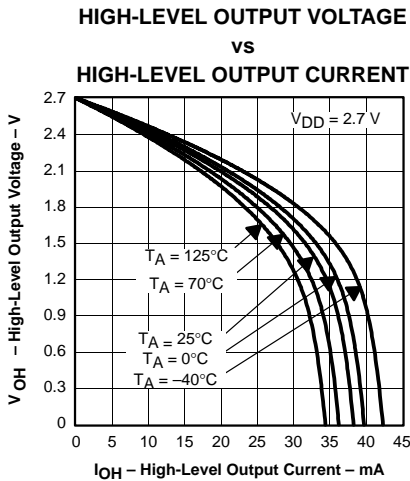


Figure 4

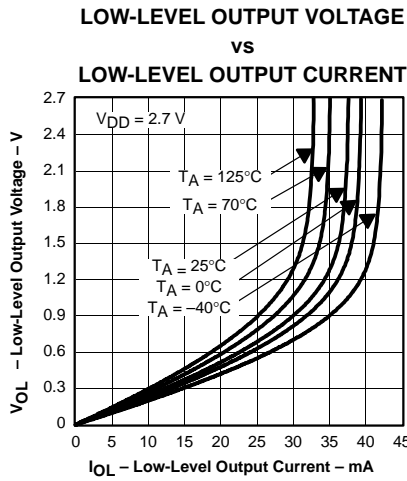


Figure 5

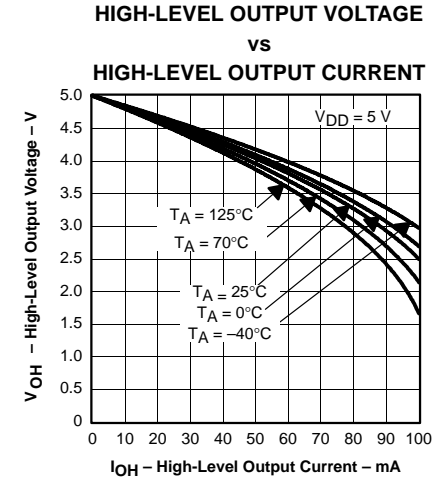


Figure 6

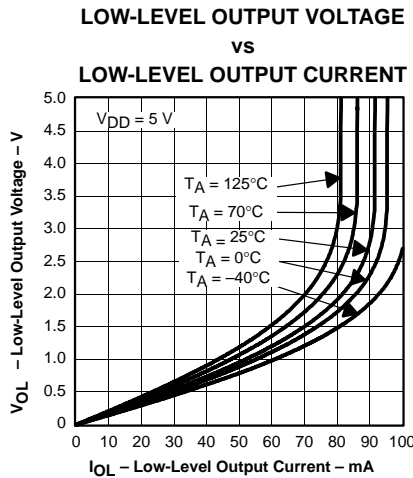


Figure 7

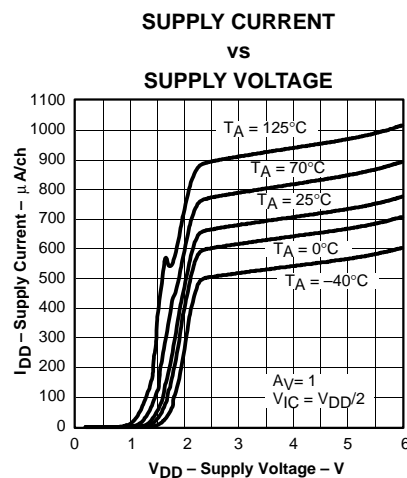


Figure 8

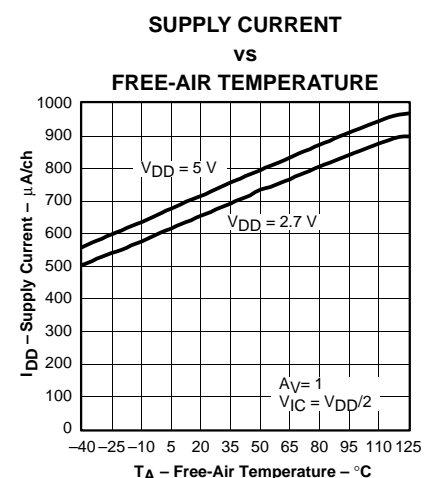


Figure 9



# TLV2620, TLV2621, TLV2622, TLV2623, TLV2624, TLV2625, TLV262xA FAMILY OF LOW-POWER WIDE BANDWIDTH SINGLE SUPPLY OPERATIONAL AMPLIFIERS WITH SHUTDOWN

SLOS251B – DECEMBER 2000 – REVISED APRIL 2001

## TYPICAL CHARACTERISTICS

POWER SUPPLY REJECTION RATIO

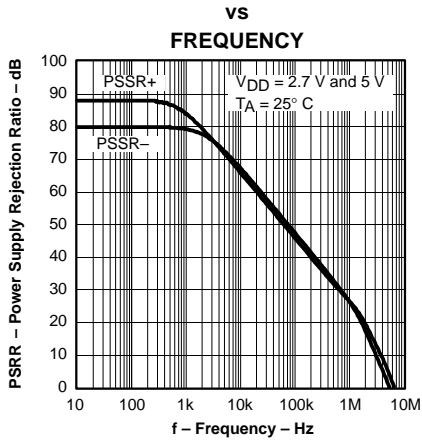


Figure 10

DIFFERENTIAL VOLTAGE AMPLIFICATION AND PHASE

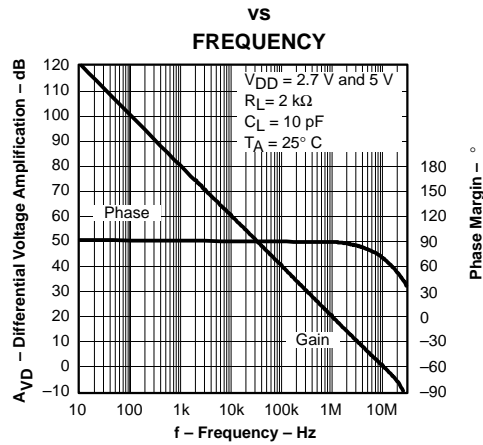


Figure 11

GAIN-BANDWIDTH PRODUCT

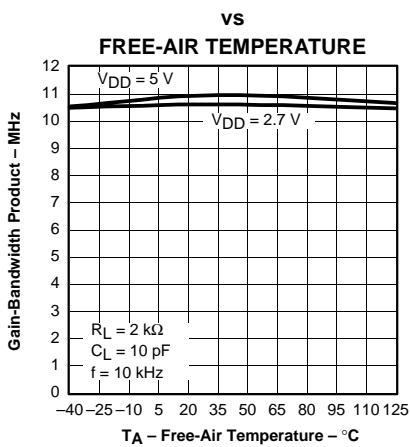


Figure 12

SLEW RATE

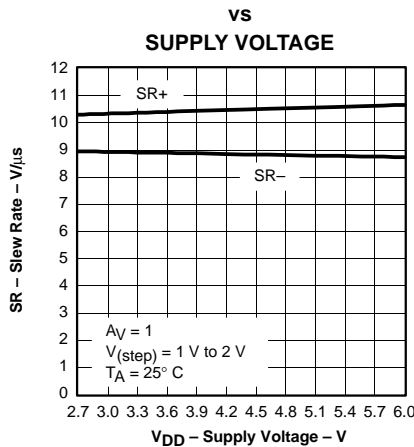


Figure 13

SLEW RATE

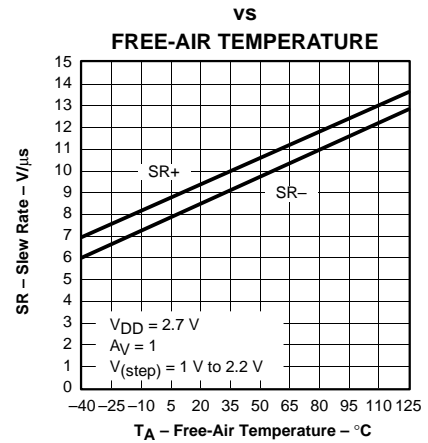


Figure 14

SLEW RATE

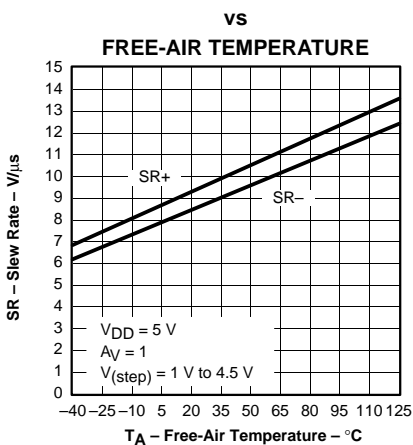


Figure 15

PHASE MARGIN

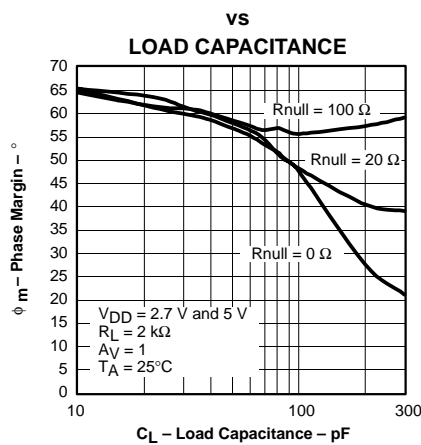


Figure 16

EQUIVALENT INPUT NOISE VOLTAGE

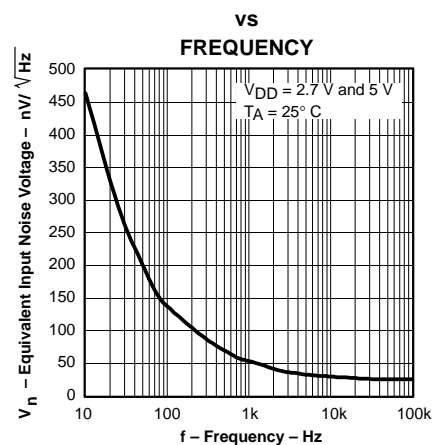


Figure 17



# TLV2620, TLV2621, TLV2622, TLV2623, TLV2624, TLV2625, TLV262xA FAMILY OF LOW-POWER WIDE BANDWIDTH SINGLE SUPPLY OPERATIONAL AMPLIFIERS WITH SHUTDOWN

SLOS251B – DECEMBER 2000 – REVISED APRIL 2001

## TYPICAL CHARACTERISTICS

VOLTAGE-FOLLOWER LARGE-SIGNAL PULSE RESPONSE

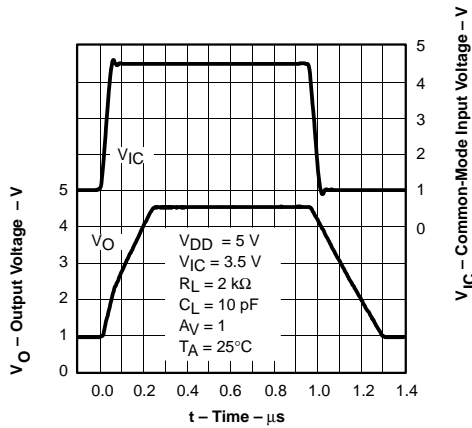


Figure 18

VOLTAGE-FOLLOWER SMALL-SIGNAL PULSE RESPONSE

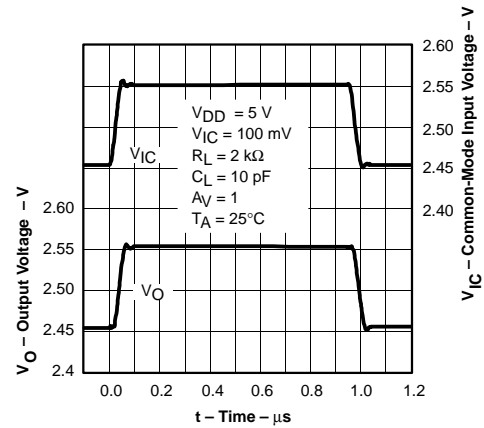


Figure 19

CROSSTALK  
vs  
FREQUENCY

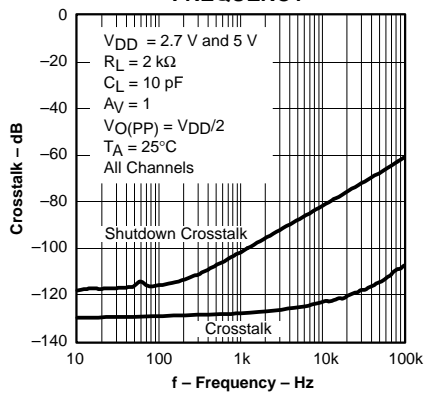


Figure 20

SHUTDOWN SUPPLY CURRENT  
vs  
FREE-AIR TEMPERATURE

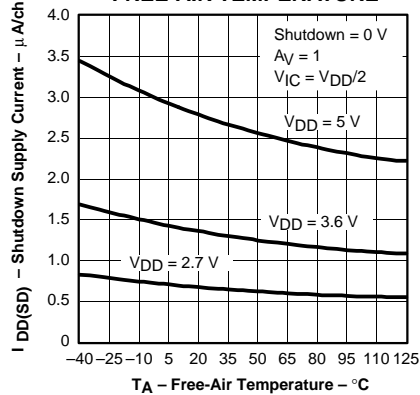


Figure 21

SHUTDOWN SUPPLY CURRENT  
vs  
SUPPLY VOLTAGE

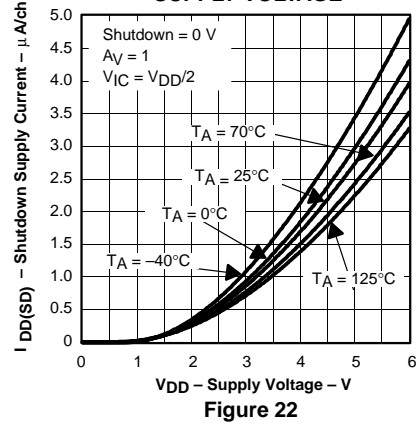


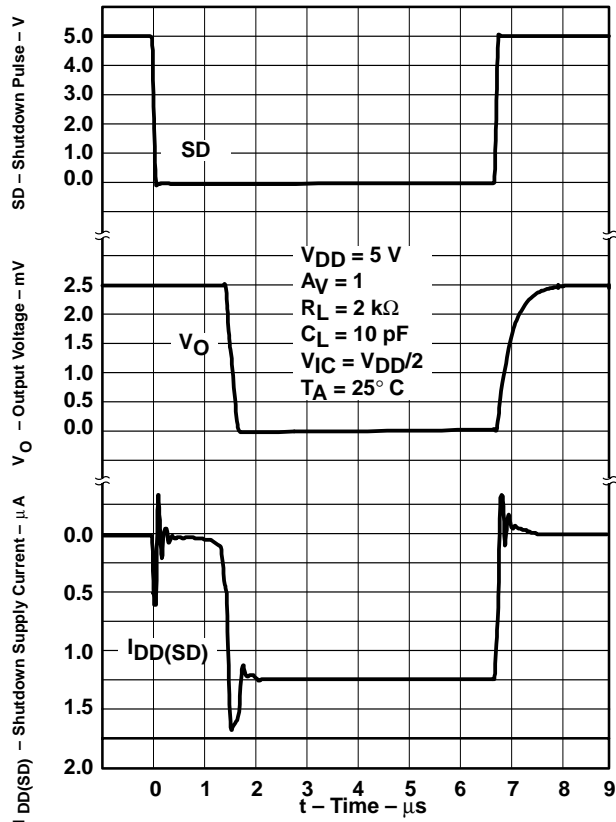
Figure 22

**TLV2620, TLV2621, TLV2622, TLV2623, TLV2624, TLV2625, TLV262xA**  
**FAMILY OF LOW-POWER WIDE BANDWIDTH SINGLE SUPPLY**  
**OPERATIONAL AMPLIFIERS WITH SHUTDOWN**

SLOS251B – DECEMBER 2000 – REVISED APRIL 2001

**TYPICAL CHARACTERISTICS**

**SHUTDOWN SUPPLY CURRENT / OUTPUT VOLTAGE**  
**vs**  
**TIME**



**Figure 23**



TLV2620, TLV2621, TLV2622, TLV2623, TLV2624, TLV2625, TLV262xA  
 FAMILY OF LOW-POWER WIDE BANDWIDTH SINGLE SUPPLY  
 OPERATIONAL AMPLIFIERS WITH SHUTDOWN

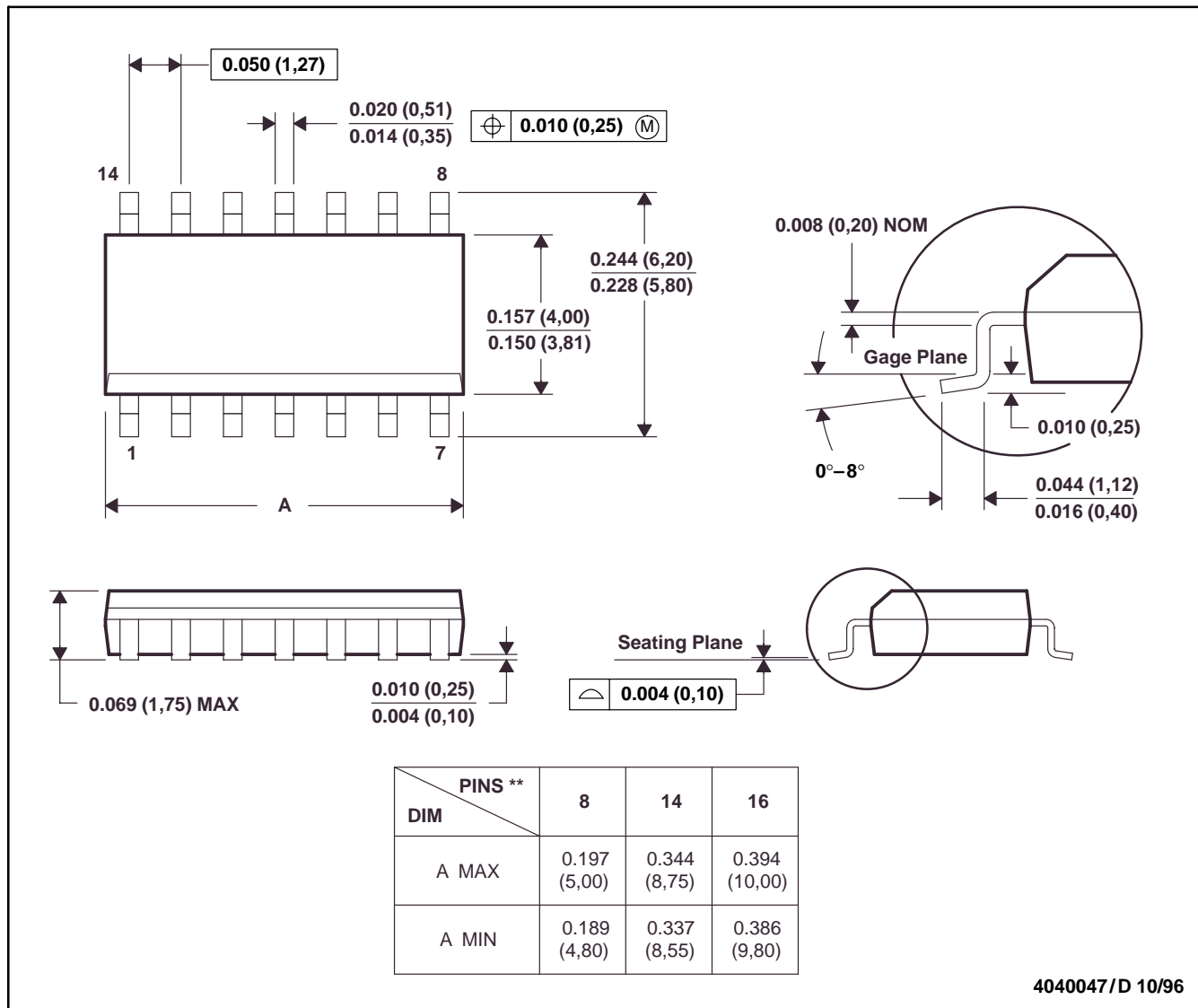
SLOS251B – DECEMBER 2000 – REVISED APRIL 2001

MECHANICAL DATA

D (R-PDSO-G\*\*)

PLASTIC SMALL-OUTLINE PACKAGE

14 PIN SHOWN



- NOTES: A. All linear dimensions are in inches (millimeters).  
 B. This drawing is subject to change without notice.  
 C. Body dimensions do not include mold flash or protrusion, not to exceed 0.006 (0,15).

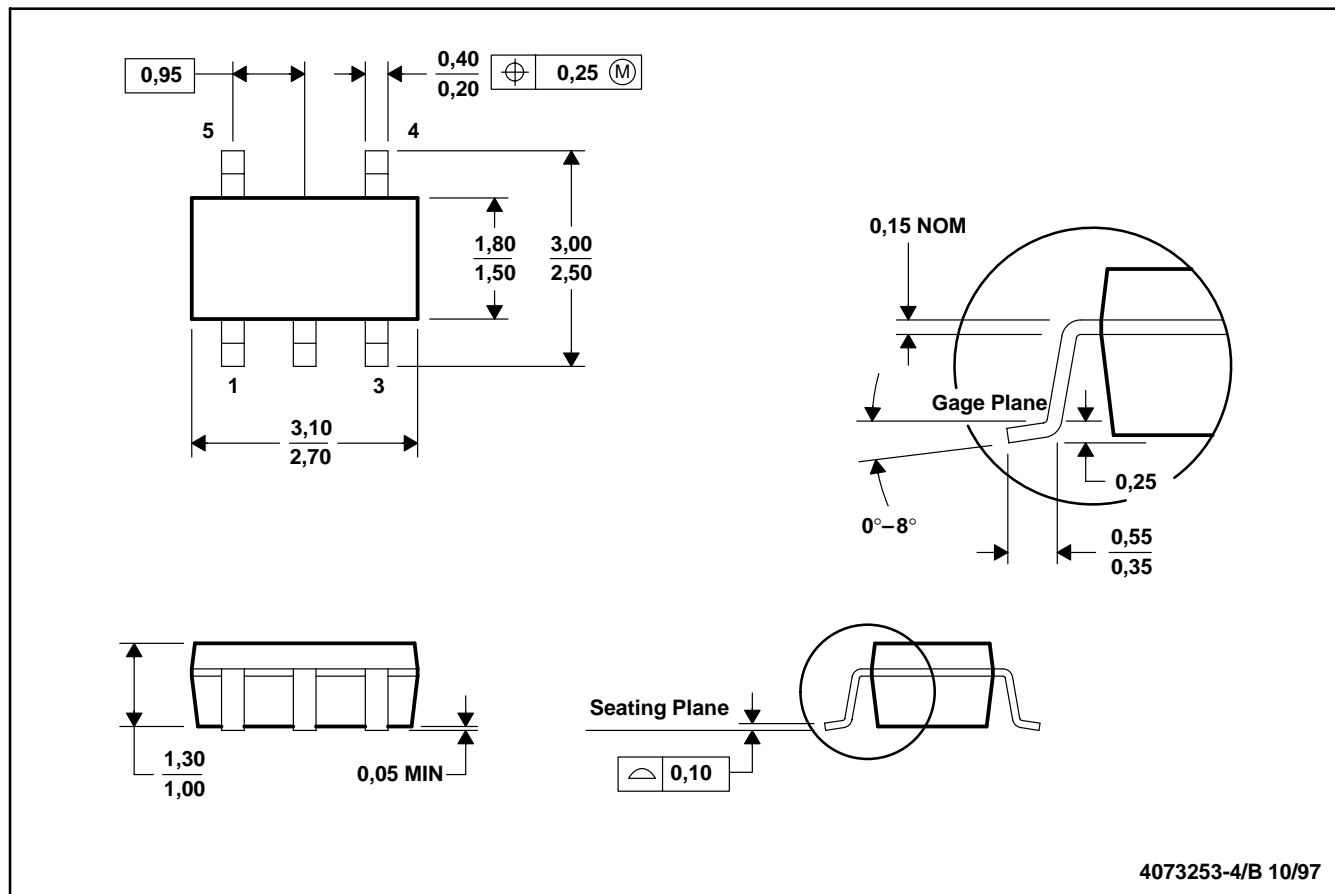
**TLV2620, TLV2621, TLV2622, TLV2623, TLV2624, TLV2625, TLV262xA**  
**FAMILY OF LOW-POWER WIDE BANDWIDTH SINGLE SUPPLY**  
**OPERATIONAL AMPLIFIERS WITH SHUTDOWN**

SLOS251B – DECEMBER 2000 – REVISED APRIL 2001

**MECHANICAL INFORMATION**

**DBV (R-PDSO-G5)**

**PLASTIC SMALL-OUTLINE PACKAGE**



- NOTES: A. All linear dimensions are in millimeters.  
 B. This drawing is subject to change without notice.  
 C. Body dimensions include mold flash or protrusion.

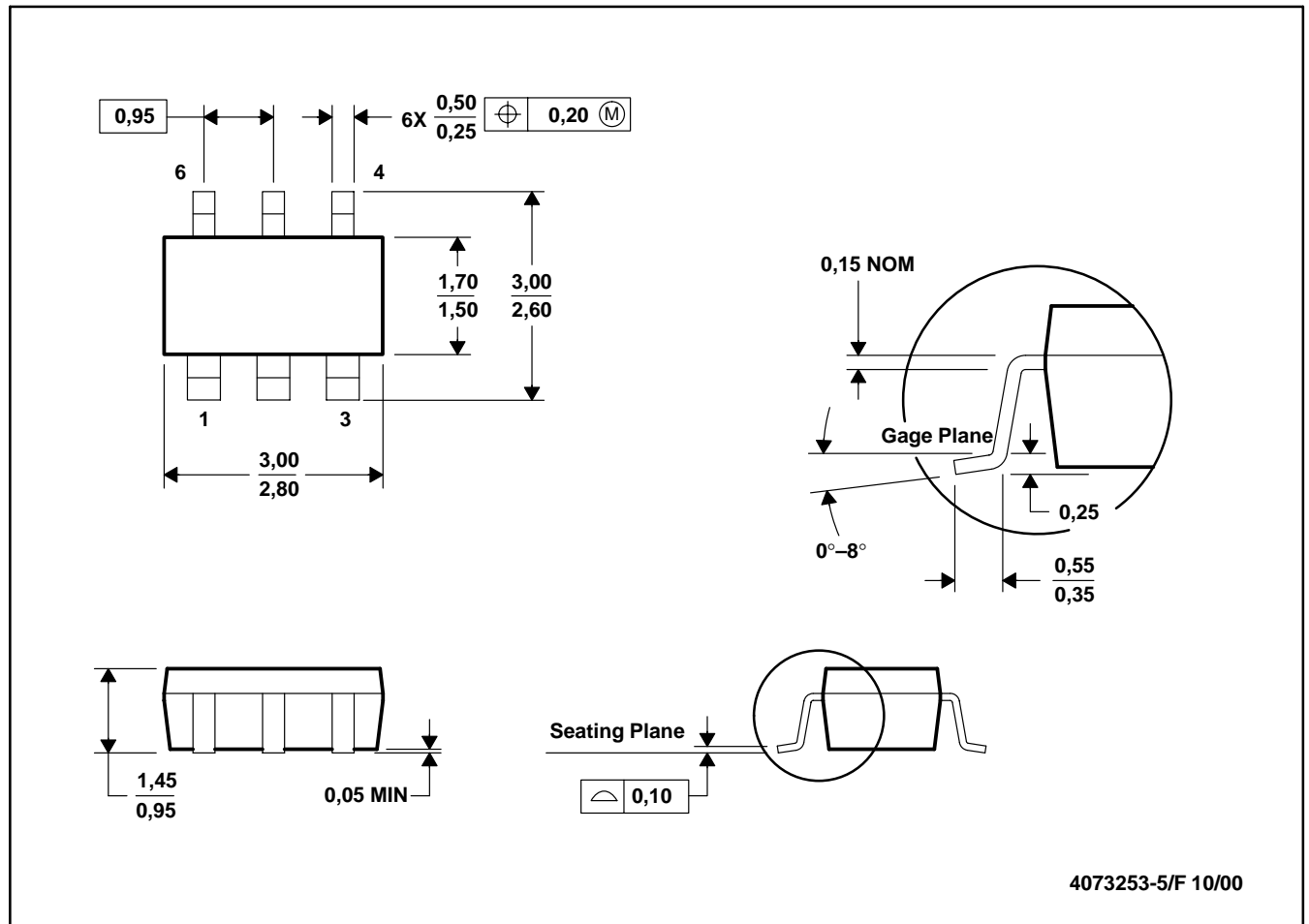
TLV2620, TLV2621, TLV2622, TLV2623, TLV2624, TLV2625, TLV262xA  
 FAMILY OF LOW-POWER WIDE BANDWIDTH SINGLE SUPPLY  
 OPERATIONAL AMPLIFIERS WITH SHUTDOWN

SLOS251B – DECEMBER 2000 – REVISED APRIL 2001

MECHANICAL INFORMATION

DBV (R-PDSO-G6)

PLASTIC SMALL-OUTLINE



4073253-5/F 10/00

- NOTES:
- All linear dimensions are in millimeters.
  - This drawing is subject to change without notice.
  - Body dimensions do not include mold flash or protrusion.
  - Leads 1, 2, 3 are wider than leads 4, 5, 6 for package orientation.

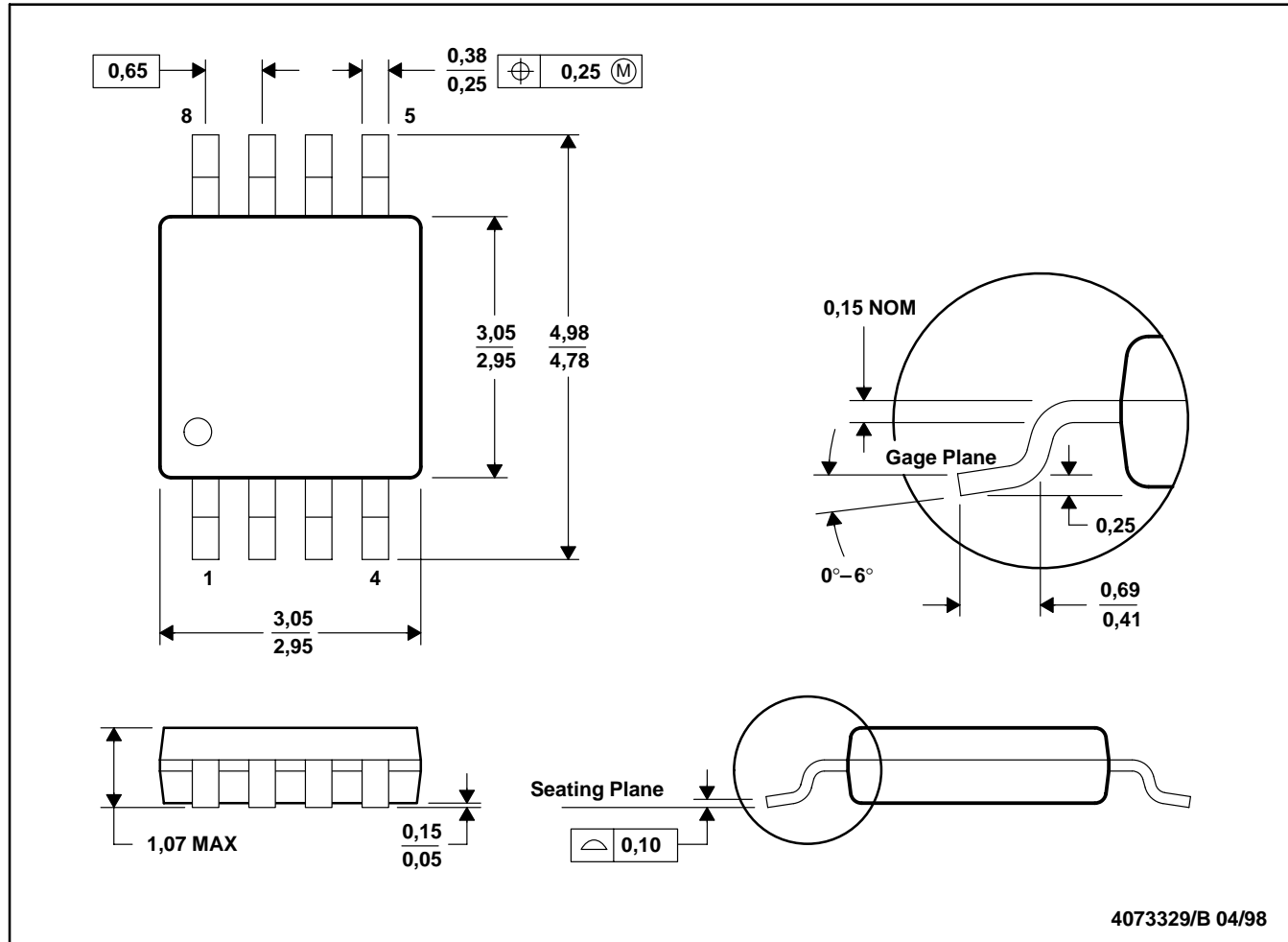
**TLV2620, TLV2621, TLV2622, TLV2623, TLV2624, TLV2625, TLV262xA**  
**FAMILY OF LOW-POWER WIDE BANDWIDTH SINGLE SUPPLY**  
**OPERATIONAL AMPLIFIERS WITH SHUTDOWN**

SLOS251B – DECEMBER 2000 – REVISED APRIL 2001

**MECHANICAL INFORMATION**

**DGK (R-PDSO-G8)**

**PLASTIC SMALL-OUTLINE PACKAGE**



- NOTES: A. All linear dimensions are in millimeters.  
 B. This drawing is subject to change without notice.  
 C. Body dimensions do not include mold flash or protrusion.  
 D. Falls within JEDEC MO-187



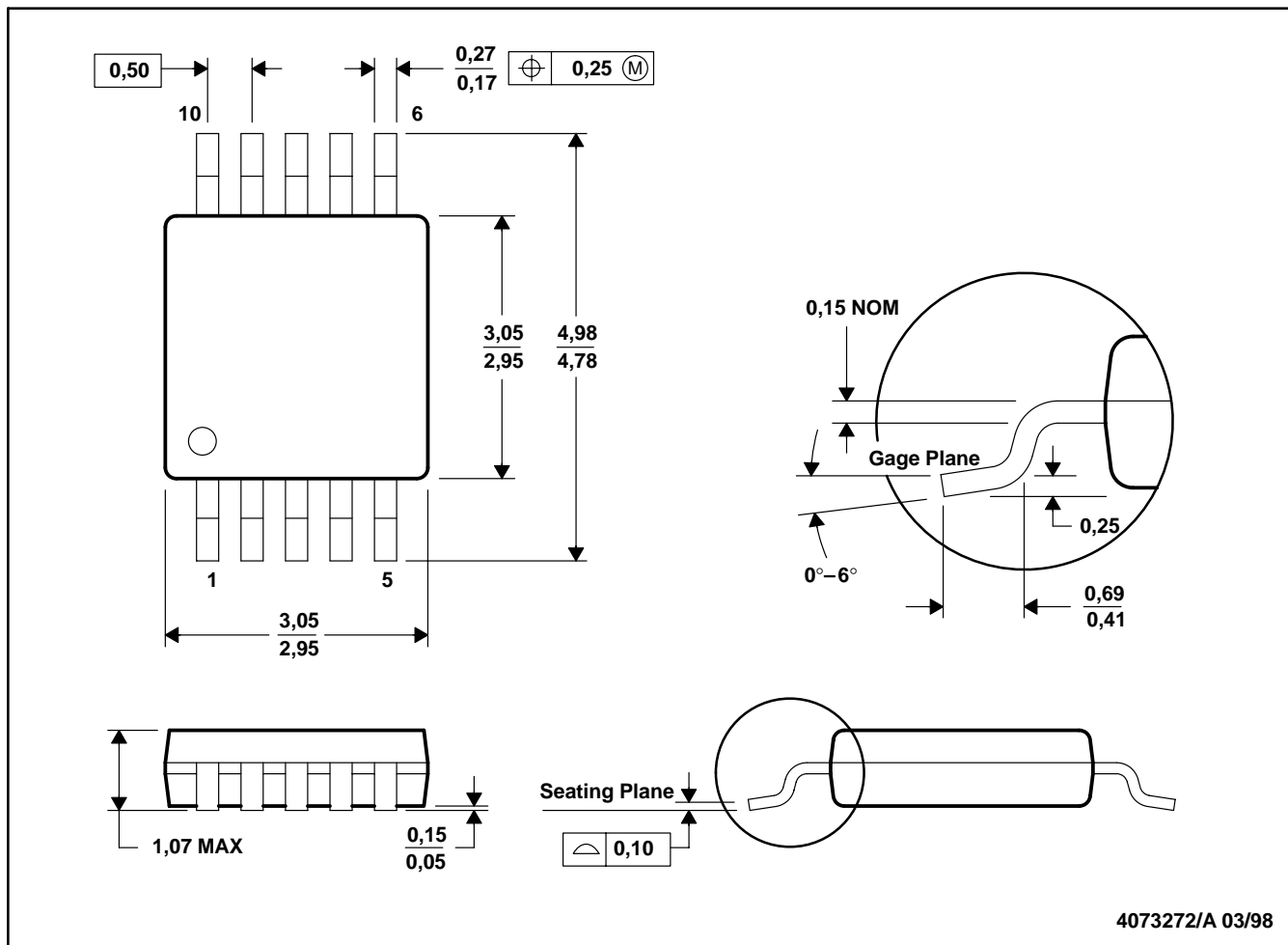
TLV2620, TLV2621, TLV2622, TLV2623, TLV2624, TLV2625, TLV262xA  
 FAMILY OF LOW-POWER WIDE BANDWIDTH SINGLE SUPPLY  
 OPERATIONAL AMPLIFIERS WITH SHUTDOWN

SLOS251B – DECEMBER 2000 – REVISED APRIL 2001

MECHANICAL INFORMATION

DGS (S-PDSO-G10)

PLASTIC SMALL-OUTLINE PACKAGE



- NOTES: A. All linear dimensions are in millimeters.  
 B. This drawing is subject to change without notice.  
 C. Body dimensions do not include mold flash or protrusion.

**TLV2620, TLV2621, TLV2622, TLV2623, TLV2624, TLV2625, TLV262xA**  
**FAMILY OF LOW-POWER WIDE BANDWIDTH SINGLE SUPPLY**  
**OPERATIONAL AMPLIFIERS WITH SHUTDOWN**

SLOS251B – DECEMBER 2000 – REVISED APRIL 2001

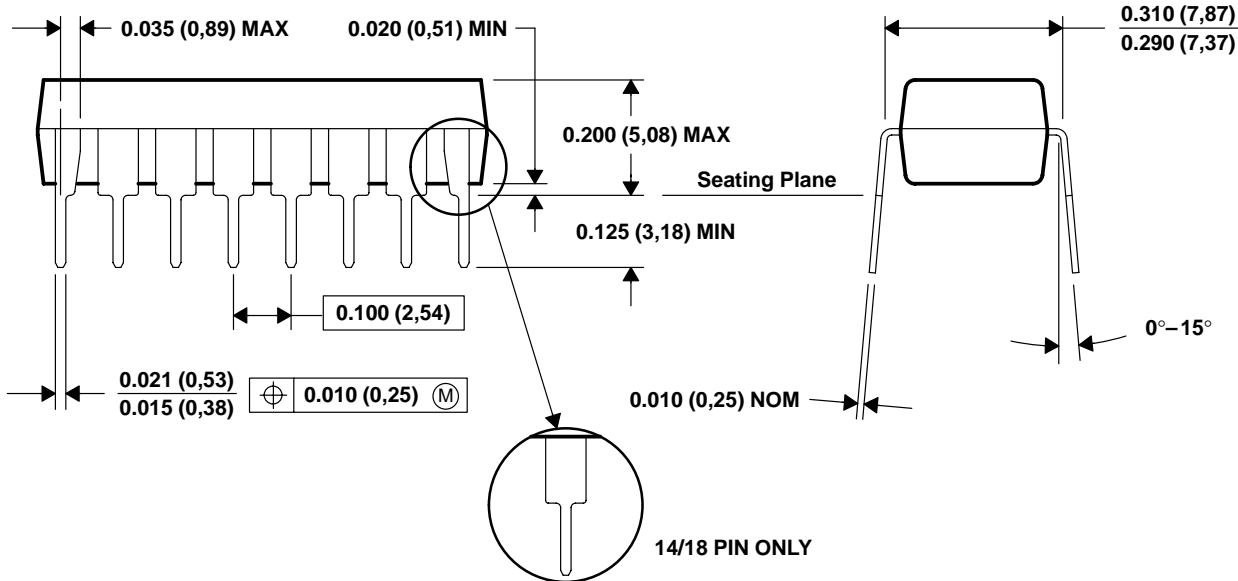
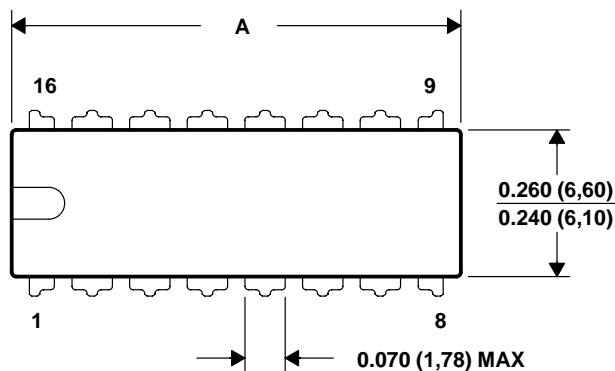
**MECHANICAL INFORMATION**

**N (R-PDIP-T\*\*)**

**PLASTIC DUAL-IN-LINE PACKAGE**

16 PIN SHOWN

DIM \ PINS **	14	16	18	20
A MAX	0.775 (19,69)	0.775 (19,69)	0.920 (23,37)	0.975 (24,77)
A MIN	0.745 (18,92)	0.745 (18,92)	0.850 (21,59)	0.940 (23,88)



4040049/C 08/95

- NOTES: A. All linear dimensions are in inches (millimeters).  
 B. This drawing is subject to change without notice.  
 C. Falls within JEDEC MS-001 (20 pin package is shorter than MS-001.)



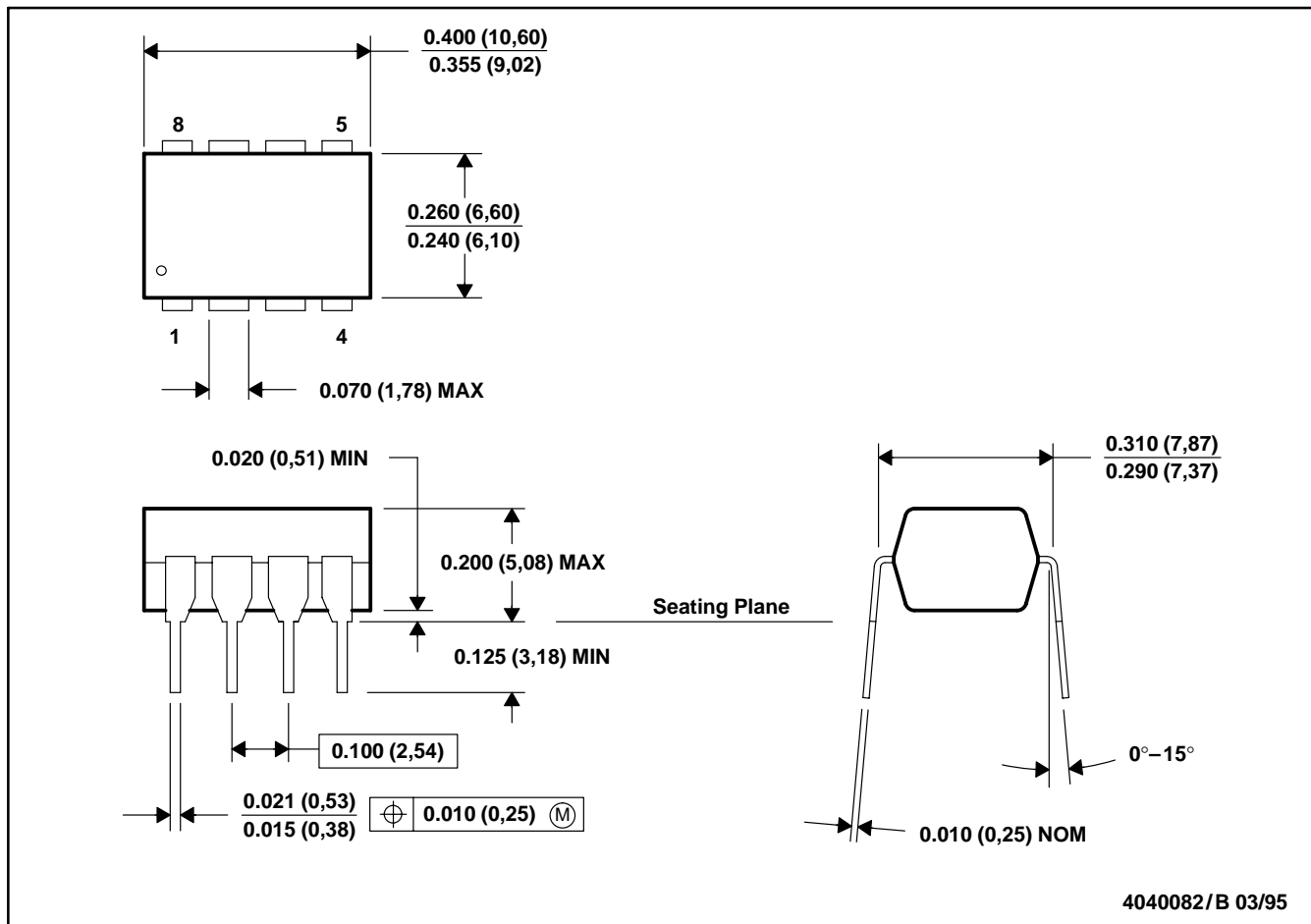
TLV2620, TLV2621, TLV2622, TLV2623, TLV2624, TLV2625, TLV262xA  
 FAMILY OF LOW-POWER WIDE BANDWIDTH SINGLE SUPPLY  
 OPERATIONAL AMPLIFIERS WITH SHUTDOWN

SLOS251B – DECEMBER 2000 – REVISED APRIL 2001

MECHANICAL INFORMATION

P (R-PDIP-T8)

PLASTIC DUAL-IN-LINE PACKAGE



- NOTES: A. All linear dimensions are in inches (millimeters).  
 B. This drawing is subject to change without notice.  
 C. Falls within JEDEC MS-001

**TLV2620, TLV2621, TLV2622, TLV2623, TLV2624, TLV2625, TLV262xA**  
**FAMILY OF LOW-POWER WIDE BANDWIDTH SINGLE SUPPLY**  
**OPERATIONAL AMPLIFIERS WITH SHUTDOWN**

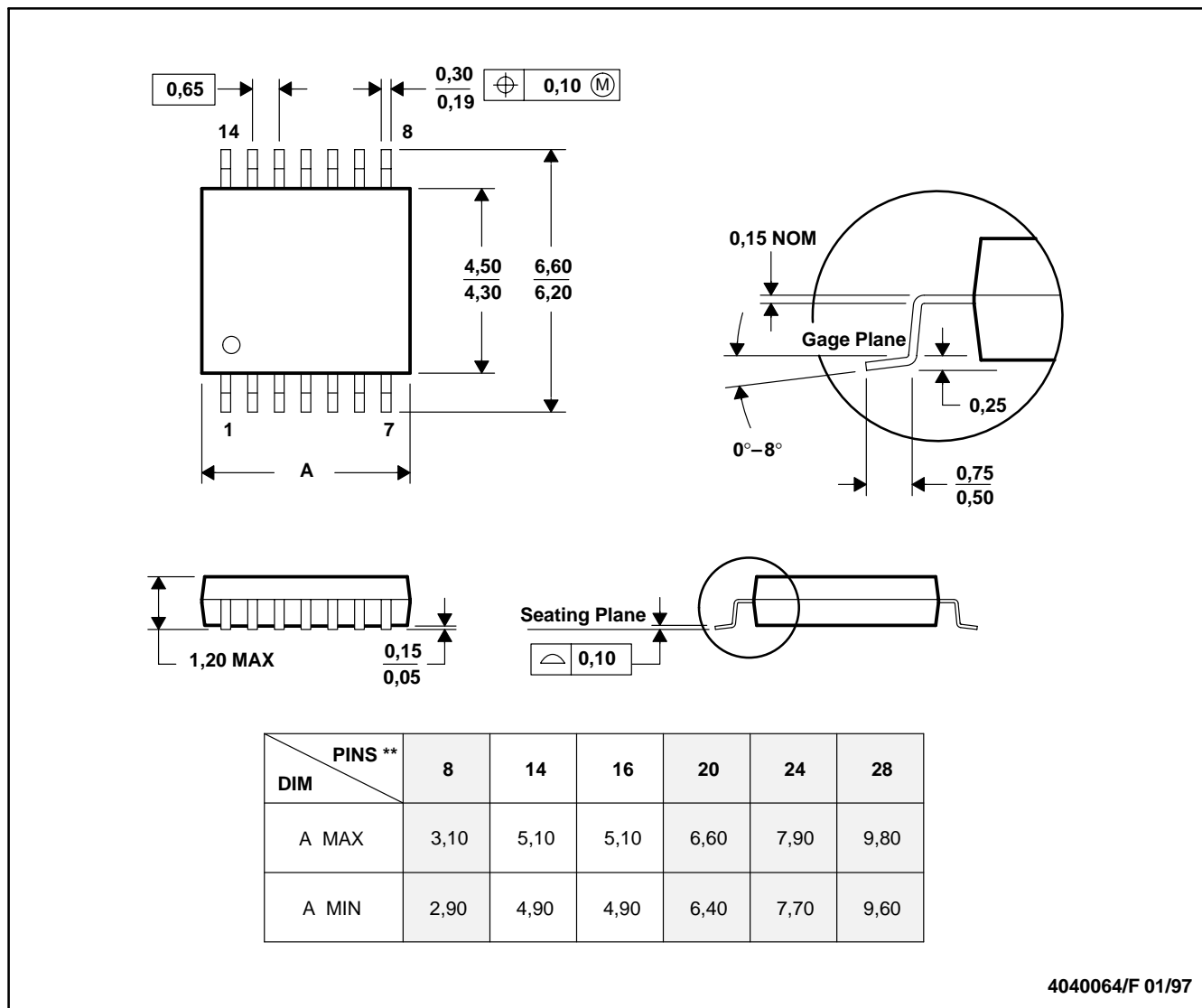
SLOS251B – DECEMBER 2000 – REVISED APRIL 2001

**MECHANICAL INFORMATION**

**PW (R-PDSO-G\*\*)**

**PLASTIC SMALL-OUTLINE PACKAGE**

14 PINS SHOWN



- NOTES: A. All linear dimensions are in millimeters.  
 B. This drawing is subject to change without notice.  
 C. Body dimensions do not include mold flash or protrusion not to exceed 0,15.  
 D. Falls within JEDEC MO-153



## IMPORTANT NOTICE

Texas Instruments and its subsidiaries (TI) reserve the right to make changes to their products or to discontinue any product or service without notice, and advise customers to obtain the latest version of relevant information to verify, before placing orders, that information being relied on is current and complete. All products are sold subject to the terms and conditions of sale supplied at the time of order acknowledgment, including those pertaining to warranty, patent infringement, and limitation of liability.

TI warrants performance of its products to the specifications applicable at the time of sale in accordance with TI's standard warranty. Testing and other quality control techniques are utilized to the extent TI deems necessary to support this warranty. Specific testing of all parameters of each device is not necessarily performed, except those mandated by government requirements.

Customers are responsible for their applications using TI components.

In order to minimize risks associated with the customer's applications, adequate design and operating safeguards must be provided by the customer to minimize inherent or procedural hazards.

TI assumes no liability for applications assistance or customer product design. TI does not warrant or represent that any license, either express or implied, is granted under any patent right, copyright, mask work right, or other intellectual property right of TI covering or relating to any combination, machine, or process in which such products or services might be or are used. TI's publication of information regarding any third party's products or services does not constitute TI's approval, license, warranty or endorsement thereof.

Reproduction of information in TI data books or data sheets is permissible only if reproduction is without alteration and is accompanied by all associated warranties, conditions, limitations and notices. Representation or reproduction of this information with alteration voids all warranties provided for an associated TI product or service, is an unfair and deceptive business practice, and TI is not responsible nor liable for any such use.

Resale of TI's products or services with statements different from or beyond the parameters stated by TI for that product or service voids all express and any implied warranties for the associated TI product or service, is an unfair and deceptive business practice, and TI is not responsible nor liable for any such use.

Also see: [Standard Terms and Conditions of Sale for Semiconductor Products](http://www.ti.com/sc/docs/stdterms.htm). [www.ti.com/sc/docs/stdterms.htm](http://www.ti.com/sc/docs/stdterms.htm)

### Mailing Address:

Texas Instruments  
Post Office Box 655303  
Dallas, Texas 75265