

TRANSMICOR T241 series

RELATIVE HUMIDITY TRANSMITTER FOR WALL MOUNTING



Main characteristics

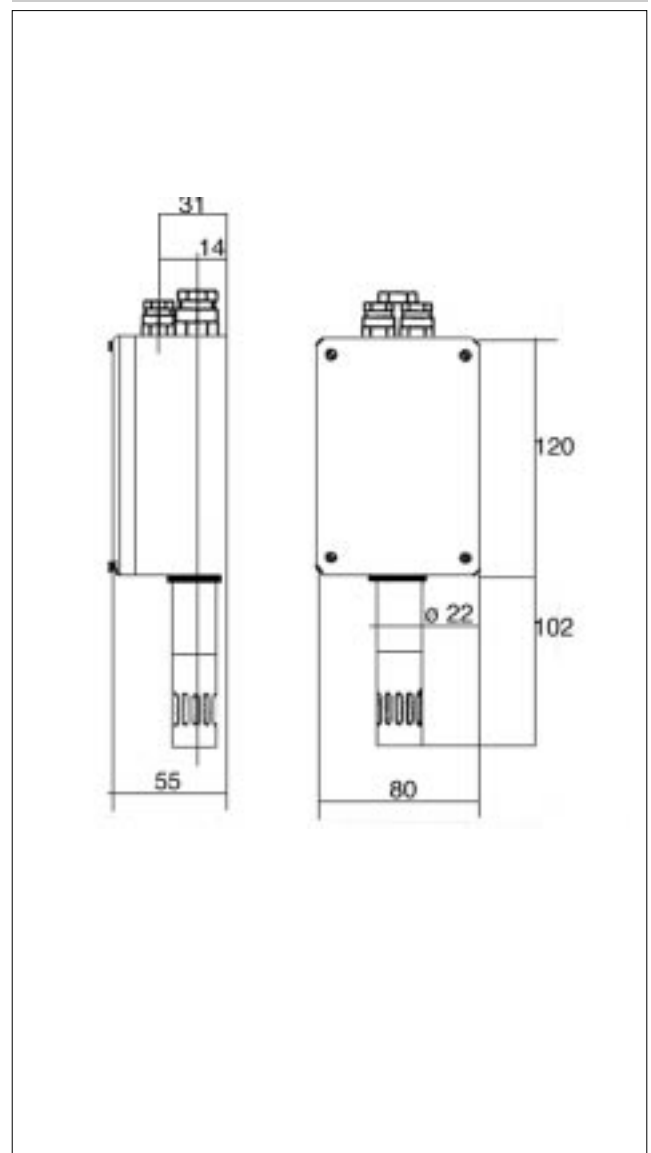
- Measuring range: 0 ... 100 %rh, -30 ...+ 70 °C
- Accuracy: ± 2 %rh, $\pm 0,2$ °C
- Output signal: 4 ... 20mA, 0 ... 20mA, 0 ... 10V, 2 ... 10V (selectable with jumper), Pt100 Ω 1/3 DIN
- Power supply: 24, 115, 230VAC
- Protection degree: IP65
- Interchangeable sensor module S6000
- Linearised and temperature compensated humidity measurement
- Capacitive thin film humidity sensor
- Sensor response time: < 10 seconds
- CE conformity

The T241 series relative humidity probe is equipped with the calibrated and fully interchangeable sensor module HUMICOR S6000, presenting an innovative element in humidity measurement. Maintenance cost are therefore drastically reduced and machine downtime is minimised.

TECHNICAL DATA

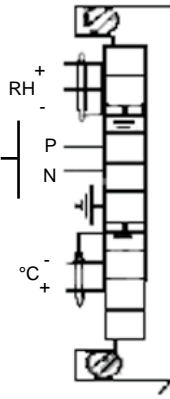
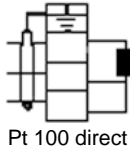
	Humidity	Temperature
Connections	4 wire	4 wire
Accuracy @ 23 °C	Hysteresis non-linearity included ± 2 %rh (5...95 %rh) $\pm 2,5$ %rh (< 5 %rh, > 95 %rh)	Pt100 Ω 1/3 DIN direct: $\pm 0,2$ °C Current output: $\pm 0,4$ °C Voltage output: $\pm 0,3$ °C
Measuring range	0 ... 100 %rh	-30 ...+70 °C
Sensor response time	(90% of scale for a step change from 11% to 75 %rh) < 10 sec	/
Output signal	0/4...20mA, 0/2...10V	Pt100 Ω direct 1/3 DIN (3 wire) 0/4...20mA, 0/2...10V
Temperature range	/	-30...+70 °C, 0...100 °C
Power supply: E	24VAC, 115VAC, 230VAC + 10%, -15%	
Impedance: R	Current output: R < 500 Ω Voltage output: R > 1K Ω	
Consumption	7VA global	
Operating range		
Probe	0 ... 100 %rh	-30 ... +85 °C
Housing	0 ... 100 %rh	-30 ... +70 °C
Storage	0 ... 100 %rh	-40 ... +70 °C
Housing		
Dimension	120*80*55	
Material	ABS	
Weight	400 g	
Probe		
Dimension	\varnothing 22mm, L = 102mm	
Material	DELTRIN	
Protection degree	IP65	
Electrical connections	Screw terminals, tightening capacity 2,5 mm ² max.	

DIMENSIONS

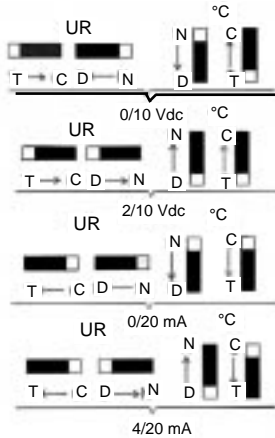


ELECTRICAL CONNECTIONS

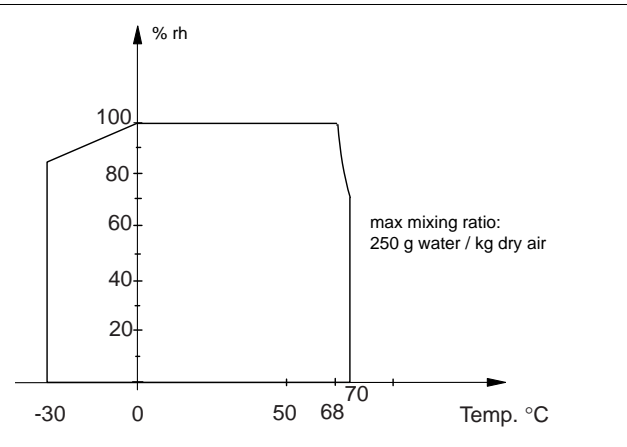
230 Vac 50/60 Hz +6% - 15%
 115 Vac 50/60 Hz +6% - 15%
 24 Vac 50/60Hz +6% - 15%



DIP-SWITCH output selection



MEASURING RANGE



ACCESSORIES

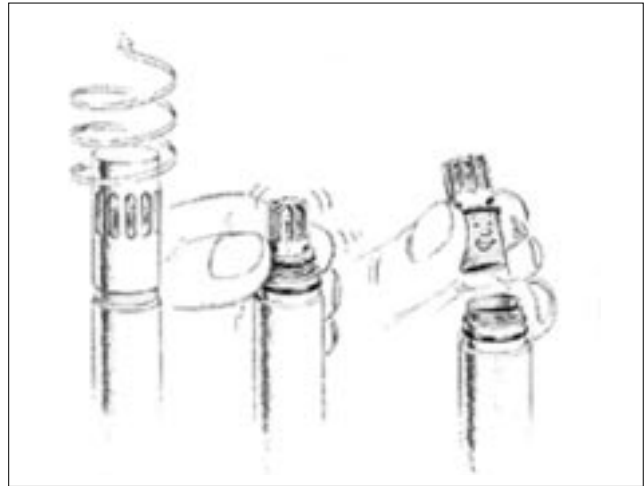
Control kit HKC:

You can check your hygrometer with the control kit HKC which is based on the principle of non-saturated salt solutions.. Refer to technical data sheet 85521

Interchangeable sensor module S6000:

S6000 with Pt100 Ω output: Ref. 6A03130
 S6000 without Pt100 Ω output: Ref. 6A08840

REMOVING THE S6000



ORDERING CODE

T2 4 1

Signal output	
0...10V, 2...10V, 4...20mA, 0...20mA	4

Model	
Wall mounting	1

Temperature range	
No temperature	0
Pt100 direct (Standard)	1
Range 0 ... 100 °C	2
Range -30 ... +70 °C	3

Power supply (Model 4 wire)	
24 VAC	1XX
115 VAC	2XX
230 VAC	3XX

Protection cap / filter	
Slotted cap DELRIN, white	A
Slotted cap DELRIN, black (Standard)	B
Slotted cap DELRIN, white with polyethylene filter	C
Slotted cap DELRIN, black with polyethylene filter	D
Slotted cap PVDF, white	E
Slotted cap PVDF, white, with teflon filter	F
Wire mesh filter, stainless steel	G
Sinter filter, stainless steel (*)	H
Sinter filter, stainless steel, teflon coated (*)	I

(*) A knurled nut, ref. 1A04640, is necessary to fix these filter types

Example: T241.31XXA
 Relative humidity transmitter T241, wall mounting version, signal output humidity and temperature 4/20mA, 0/20mA, 0/10V, 2/10V (humidity: 0/100 %rh / temperature: -30...70 °C), power supply 24 VAC, slotted cap in white DELRIN.

GEFRAN spa reserves the right to make any kind of design or functional modification at any moment without prior notice



LEADER Electronic Co., Ltd

116, Jianghuali, Jianghua Road, Jiangmen City, GD, PRC

Tel: + 86 750 3101711, 3379183

Fax: + 86 750 3388669

Website: www.leadersensors.com

E-mail: leader@leadersensors.com



code 85556 -05/00