



Main characteristics

- Measuring range: 0 ... 100 %rh, -20 ... +80 °C
- Accuracy: ± 2 %rh, $\pm 0,2$ °C
- Output signal: 0 ... 1V (3 wire), Pt100 Ω 1/3 DIN
- Supply voltage: 5...32VDC
- Housing protection: IP65
- Interchangeable sensor module S6000
- Linearised and temperature compensated humidity measurement
- Capacitive thin film humidity sensor
- Sensor response time: 10 seconds
- CE conformity

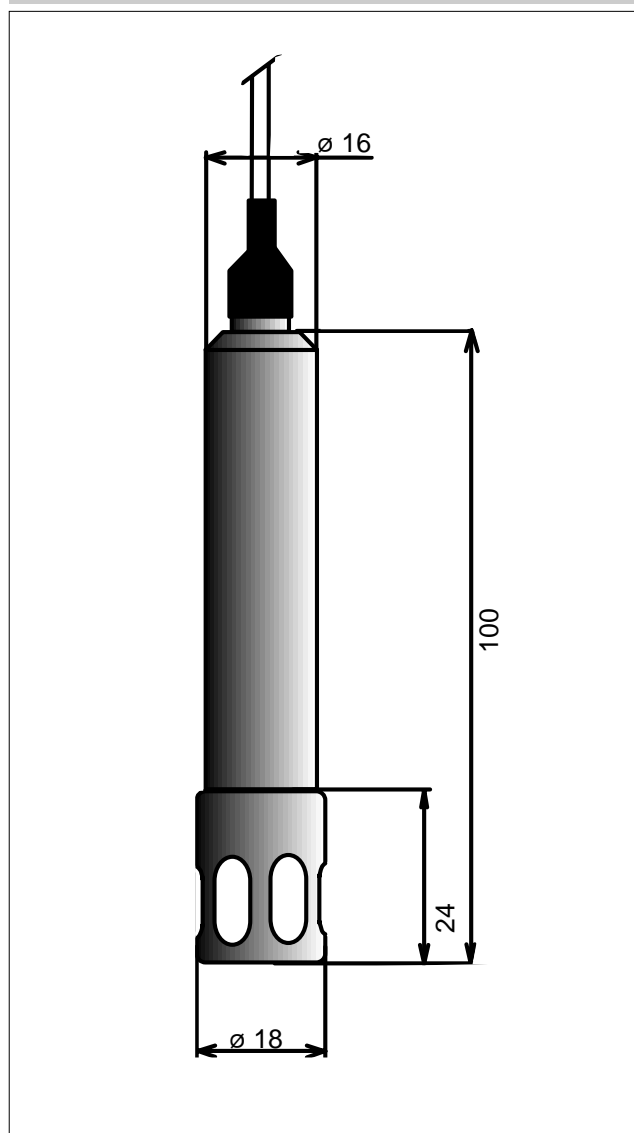
The HYGROCOR relative humidity probe is equipped with the calibrated and fully interchangeable sensor module HUMICOR S6000, presenting an innovative element in humidity measurement.

Maintenance cost are therefore drastically reduced and machine downtime is minimised.

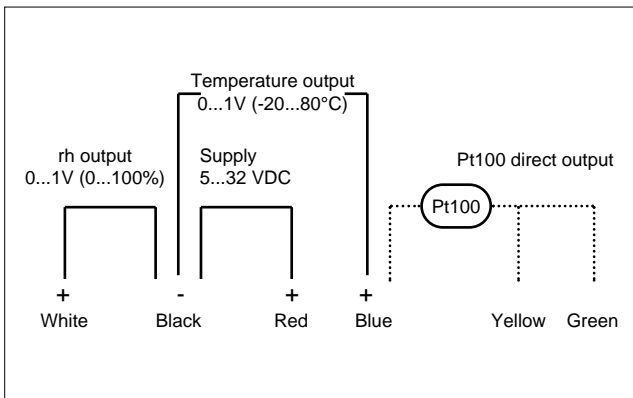
TECHNICAL DATA

	Humidity	Temperature
Connections	3 wire	3 wire
Accuracy @ 23 °C	Hysteresis / non-linearity included ± 2 %rh (5 ... 95 %rh) $\pm 2,5$ %rh (< 5 %rh, > 95 %rh)	Pt100 direct: $\pm 0,2$ °C Output voltage: $\pm 0,5$ °C
Measuring range	0 ... 100 %rh	-20...+80 °C
Sensor response time	(90% of scale for a step change from 11% to 75 %rh) < 10 sec	/
Output signal	0 ... 1V	0 ... 1V Pt100 Ω 1/3 DIN (3 wire)
Temperature range	/	-20...+80 °C
Supply voltage	5...32 VDC	
Impedance: R	> 10K Ω	Output voltage: > 10K Ω
Consumption	≤ 2 mA humidity only version with Pt100 direct / 24VDC	
Operating range		
Measuring head	0 ... 100 %rh	-20 ... +80 °C
Housing	0 ... 100 %rh	-20 ... +80 °C
Storage	0 ... 100 %rh	-40 ... +85 °C
Housing		
Dimension	96mm, \varnothing 18mm	
Material	INOX 316L	
Weight	150 g	
Protection degree	IP65	
Electrical connections	Cable connection; standard length 2m	

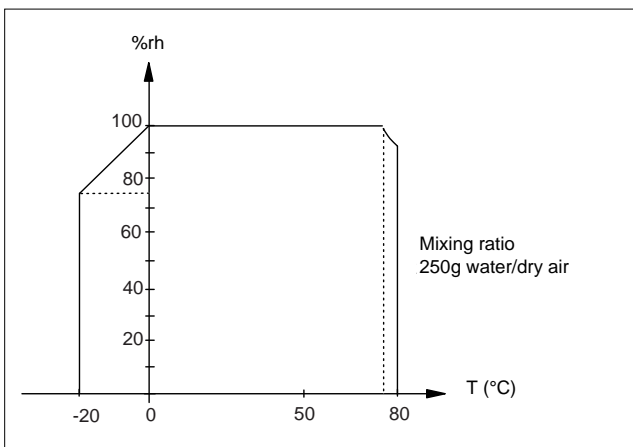
DIMENSIONS



ELECTRICAL CONNECTIONS



MEASURING RANGE



REMOVING THE S6000



ACCESSORIES

Interchangeable sensor module S6000:
 S6000 with Pt100 Ω output: Ref. 6A03130
 S6000 without Pt100 Ω output: Ref. 6A08840

Mounting clip for HYGROCOR:
 Ref. 2510367

S6000 SENSOR MODULE

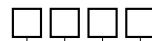
The cylindrical housing holds the following parts:

- Humidity sensor H6000
- Pt100 Ω 1/3 DIN
- Embedded signal electronics.

Occasional condensation on the sensor element does not affect the proper operation of the unit, the display / signal output will indicate the upper range value (100 %rh) until the water has disappeared.

ORDERING CODE

HYGROCOR



Output signal	
No temperature	0
Pt100 direct	1
0...1V, -20...+80°C	B

Housing material	
Stainless steel (Standard)	1
Stainless steel threaded	2

Cable length	
1 meter	1
2 meter (Standard)	2

Protection cap / filter	
No cap (holding nut only)	1
Slotted cap stainless steel standard	2
Slotted cap stainless steel with wire mesh filter	3
Slotted cap stainless steel with teflon filter	4

Example: HYGROCOR - B122

Relative humidity probe in stainless steel housing, output signal humidity 0...1VDC, temperature 0...1VDC (-20...+80 °C), 2 m connecting cable and stainless steel slotted cap.

GEFRAN spa reserves the right to make any kind of design or functional modification at any moment without prior notice



LEADER Electronic Co., Ltd
 116, Jianghuali, Jianghua Road, Jiangmen City, GD, PRC
 Tel: + 86 750 3101711, 3379183
 Fax: + 86 750 3388669
 Website: www.leadersensors.com
 E-mail: leader@leadersensors.com



code 85516 -05/00