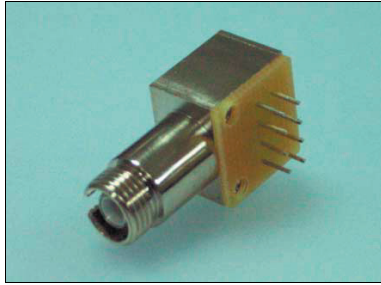


## SGC-GC-XXB-X-XXFC



### Features

- 1300nm or 1550nm Wavelength
  - For Singlmode / Multimode
- ### Applications
- High Optical Power
  - Low Operating Current
  - High Speed
  - Low Modal Noise
  - 8 Pin Package with SC
  - High Operating Temperature

### Absolute Maximum Ratings

Parameter	Symbol	Condition	Rating	Unit
Reverse Voltage	$V_r$	CW	2.5	V
Operating Current	$I_{op}$	CW	150	mA
Operating Temperature	$T_{opr}$	-	-20 ~ 70	°C
Storage Temperature	$T_{stg}$	-	-40 ~ 85	°C

### Optical and Electrical Characteristics 1300nm

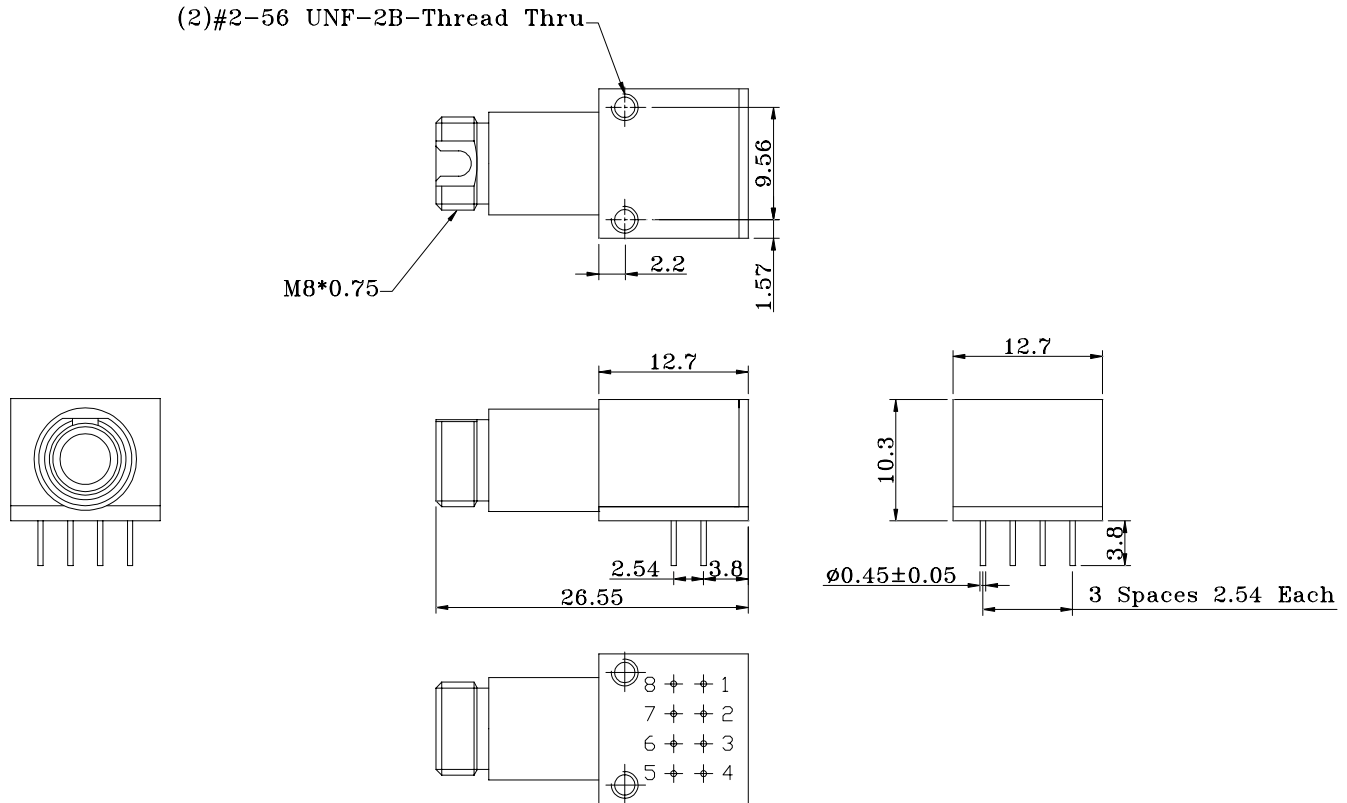
Parameter	Symbol	Min	Typ	Max	Unit	Conditions
Peak Wavelength	$\lambda$	1260	1300	1340	nm	CW
Spectral Width(RMS)	$\Delta\lambda$	30	-	80	nm	CW
Operating Current	$I_{op}$	-	80	100	mA	CW
Output Power (SM, 9/125 $\mu$ m)	$P_f$	10	-	-	$\mu$ W	$I_{op}=80$ mA
L		30				
M		50				
Output Power(SM, 50/125 $\mu$ m)	$P_f$	30	-	-	$\mu$ W	$I_{op}=80$ mA
L		50				
M		70				
Forward Voltage	$V_f$	-	1.2	1.7	V	CW
Rise Time	$T_r$	-	1.5	-	ns	
Fall Time	$T_f$	-	2.5	-	ns	

### Optical and Electrical Characteristics 1550nm

Parameter	Symbol	Min	Typ	Max	Unit	Conditions
Peak Wavelength	$\lambda$	1510	1550	1590	nm	CW
Spectral Width(RMS)	$\Delta\lambda$	45	-	80	nm	CW
Operating Current	$I_{op}$	-	80	100	mA	CW
Output Power(SM, 9/125 $\mu$ m)	$P_f$	10	-	-	$\mu$ W	$I_{op}=80$ mA
L		20				
M		30				
Output Power(SM, 50/125 $\mu$ m)	$P_f$	20	-	-	$\mu$ W	$I_{op}=80$ mA
L		30				
M		40				
Forward Voltage	$V_f$	-	1.2	1.7	V	CW
Rise Time	$T_r$	-	1.5	-	ns	
Fall Time	$T_f$	-	2.5	-	ns	

SGC-GC-XXB-X-XXFC

Package Style : FC Type Sugar Cube Unit in mm.



LD Pin Assignment

1:Option 1

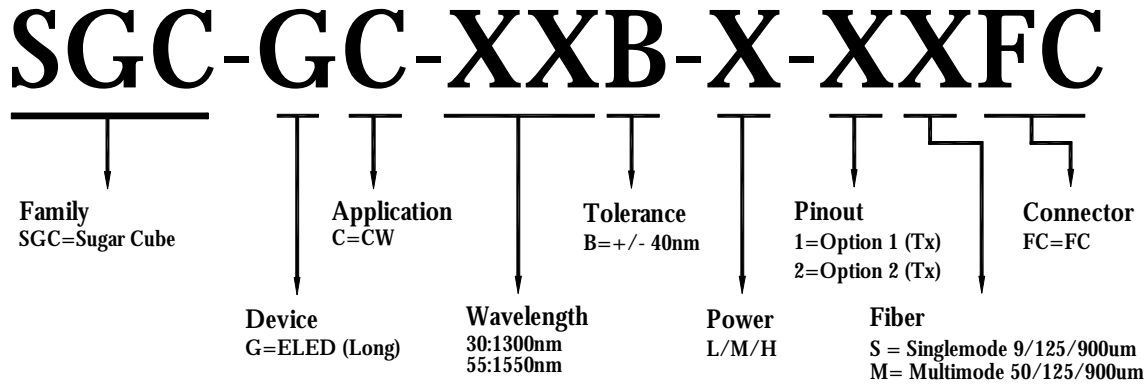
Pin	Function
1	N/C
2	Anode
3	Cathode
4	N/C
5	N/C
6	Anode
7	Anode
8	N/C

2:Option 2

Pin	Function
1	Case GND
2	Anode
3	Cathode
4	Case GND
5	Case GND
6	Anode
7	Anode
8	Case GND

SGC-GC-XXB-X-XXFC

Ordering Information



Warnings:

**Handling Precautions:** This device is susceptible to damage as a result of electrostatic discharge (ESD). A static free environment is highly recommended. Follow guidelines according to proper ESD procedures.

**Laser Safety:** Radiation emitted by laser devices can be dangerous to human eyes. Avoid eye exposure to direct or indirect radiation.

Legal Notes:

**IMPORTANT NOTICE!**

All information contained in this document is subject to change without notice, at LuminentOIC's sole and absolute discretion. LuminentOIC warrants performance of its products to current specifications only in accordance with the company's standard one-year warranty; however, specifications designated as "preliminary" are given to describe components only, and LuminentOIC expressly disclaims any and all warranties for said products, including express, implied, and statutory warranties, warranties of merchantability, fitness for a particular purpose, and non-infringement of proprietary rights. Please refer to the company's Terms and Conditions of Sale for further warranty information.

LuminentOIC assumes no liability for applications assistance, customer product design, software performance, or infringement of patents, services, or intellectual property described herein. No license, either express or implied, is granted under any patent right, copyright, or intellectual property right, and LuminentOIC makes no representations or warranties that the product(s) described herein are free from patent, copyright, or intellectual property rights. Products described in this document are NOT intended for use in implantation or other life support applications where malfunction may result in injury or death to persons. LuminentOIC customers using or selling products for use in such applications do so at their own risk and agree to fully defend and indemnify LuminentOIC for any damages resulting from such use or sale.

THE INFORMATION CONTAINED IN THIS DOCUMENT IS PROVIDED ON AN "AS IS" BASIS. Customer agrees that LuminentOIC is not liable for any actual, consequential, exemplary, or other damages arising directly or indirectly from any use of the information contained in this document. Customer must contact LuminentOIC to obtain the latest version of this publication to verify, before placing any order, that the information contained herein is current.

© LuminentOIC, Inc. 2003  
All rights reserved