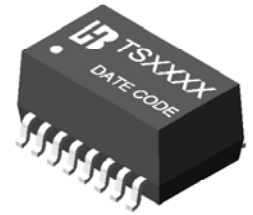


10 BASE PULSE TRANSFORMERS SMALL

462 Boston St - Topsfield, MA 01983 - Phone: 978-887-8050 - Fax: 978-887-5434

- 16 pin SMD package to compliant with IEEE 802.3 standard
- Model is available to interface with 10 Base-T transceivers
- Compatible with IR oven processes
- Designed for fast rise time and low baseline wander
- Storage temperature range: -40°C to +125°C.



Electrical Specifications @ 25°C Operating Temperature range: 0°C to +70°C

“\$” OCL(common mode inductor): 18~45 μ H@100KHz/8mVrms Max(15 to 14 and 16 shorted)

Part Number	Primary OCL (μ H Min)	Leakage Inductance (μ H Max)	Cw/w (pF Max)	HI-POT (Vrms)	Turn Ratio(\pm 5%)	Primary DCR (Ω Max)	Insulation Resistance (M Ω)	Primary Pins
TS7008	100 \pm 20%	0.30	9	2000	1CT:1CT (\pm 3%)	0.3	10,000	1-3, 6-8
TS7009	100 \pm 20%	0.30	9	2000	1CT:1CT (\pm 3%)	0.3	10,000	1-3, 6-8
TS7010	140	0.40	20	2000	1CT:1CT&1CT:1.414CT	0.9	-	1-3, 6-8
TS7010A	200	0.5	12	2000	1CT:1CT&1CT:1.414CT	0.5	-	1-3, 6-8
TS7010B\$	175 & 80	0.4 & 0.55	20	2000	1CT:1CT & 1CT:1.41CT	0.9	-	1-3, 6-8
TS7010R	140 Typ	0.4	15	2000	1CT:1CT & 1CT:1.41CT	0.3	-	1-3, 6-8
TS7011	140	0.30	20	1500	1CT:1CT & 1CT:1.41CT	0.9	-	1-3,6-8
TS7011A	110	0.40	15	1500	1CT:1CT & 1CT:1.414CT	1.0	-	1-3,6-8
TS7011B	175	0.3	20	2000	1CT:1CT & 1CT:1.414CT	0.9	-	1-3,6-8
TS7012	175	0.30	20	1500	1.41CT:1CT & 1CT:1CT	0.9	-	1-3, 11-9
TS7013B	150	0.5 & 0.6	17 & 20	1500	1CT:1CT & 1CT:2.5CT	Pri,1.0/Sec,1.1	-	1-3, 6-8
TS7013C	200/35	0.4	15	2000	1CT:1CT & 1CT:2.5CT	0.5	10,000	1-3,6-8
TS7020	140 Typ	0.5	12	1500	2CT:1CT & 1CT:1CT	1.0	-	1-3, 6-8
TS7021	175	0.30	20	1500	2CT:1CT & 1CT:1CT	0.9	-	1-3, 6-8
TS7022	140	0.30	12	1500	1CT:1CT & 1CT:2CT	0.6	-	1-3, 6-8
TS7022A	140 & 25	0.4	15	2000	1CT:1CT & 1CT:2CT	0.3	10,000	1-3, 6-8
TS7022B	140	0.4	15	2000	1CT:1CT & 1CT:2CT	0.3	-	1-3, 6-8
TS7023	200	0.3	12	1500	1CT:2CT & 1CT:1CT	1.0	-	1-3, 6-8
TS7024	50 & 200	0.2	10	1500	1CT:2CT & 1CT:1CT	0.20	-	1-3, 6-8
TS7025	100 \pm 20%	0.3	9	1500	1CT:1CT & 1CT:2CT	0.3	100 Min	1-3, 6-8
TS7026B	150	0.5	17 & 20	1500	1CT:1CT & 1CT:2.5CT	1.0(Pri)/1.1(Sec)	-	1-3, 6-8
TS7027	140	0.3	12	1500	2CT:1CT & 1CT:1CT	1.0	-	1-3,6-8

Note:TS7024 1. ET-constant: 3.5V-us Max.

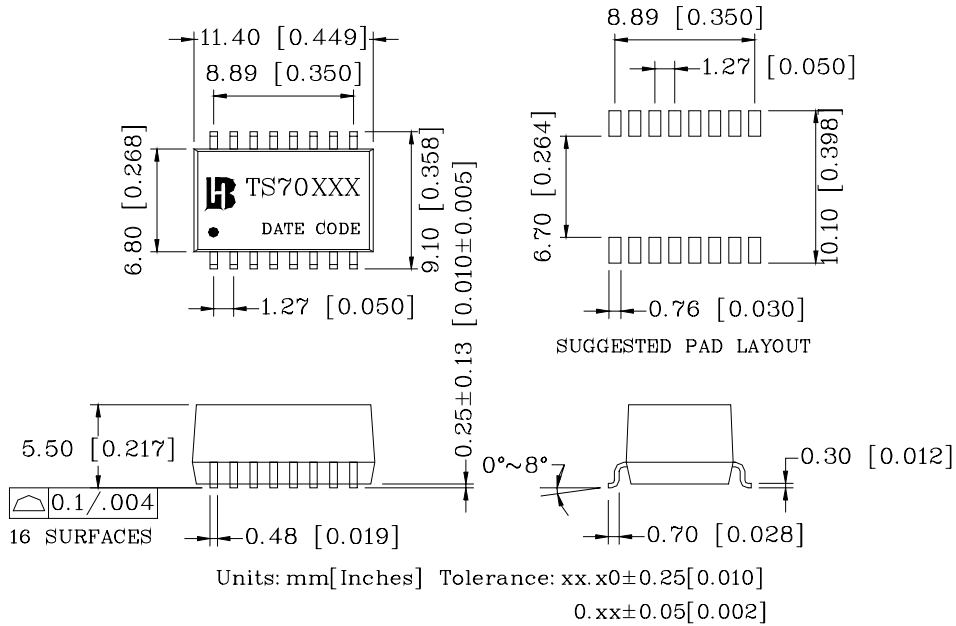
2. Rise Time: 3.0 nS Max.

3. Insertion Loss: -0.5 dB Max @ 0.3-10MHz.

10 BASE PULSE TRANSFORMERS SMALL

462 Boston St - Topsfield, MA 01983 - Phone: 978-887-8050 - Fax: 978-887-5434

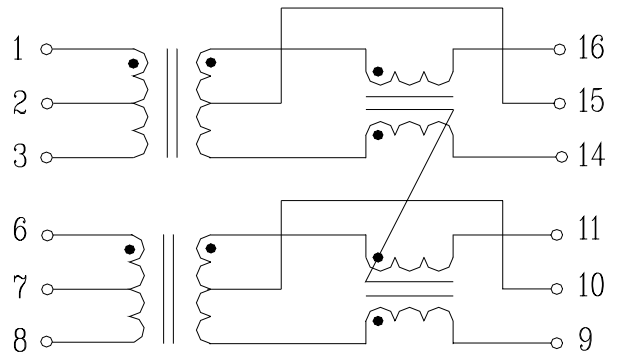
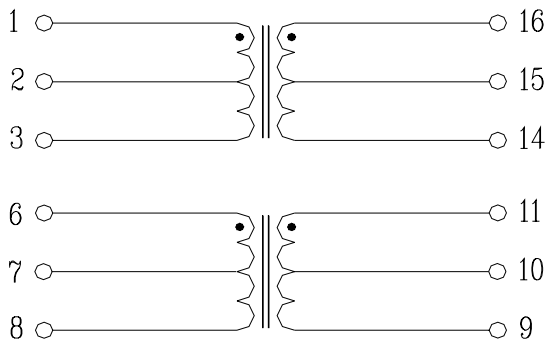
Mechanicals



Schematics

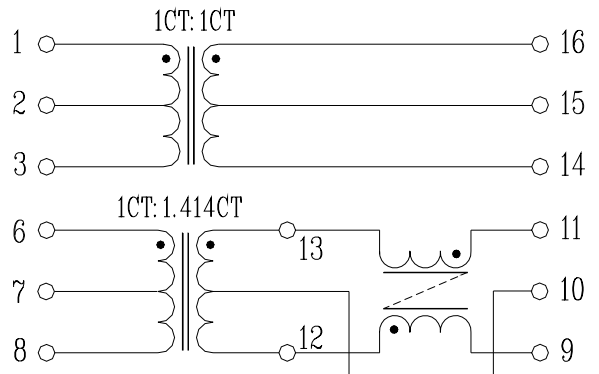
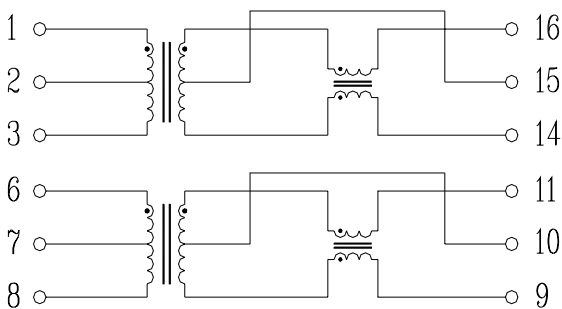
TS7008, TS7011, TS7011B, TS7025, TS7022A

TS7009, TS7010R, TS7012, TS7013B, TS7026B



**TS7010, TS7010A, TS7010B, TS7013C, TS7021
TS7022B, TS7023**

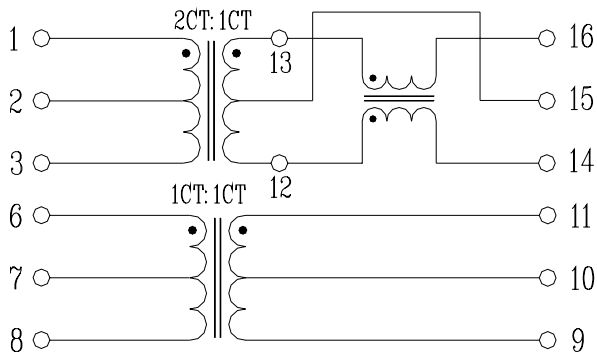
TS7011A



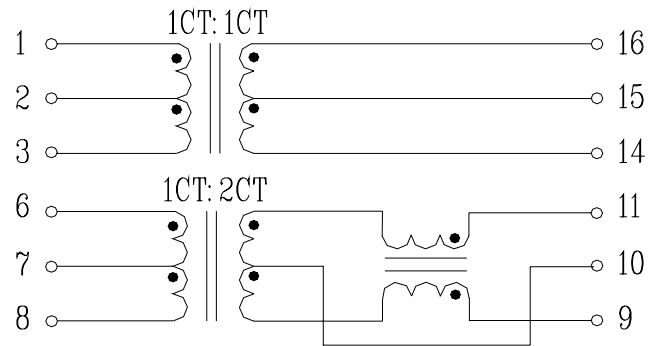
10 BASE PULSE TRANSFORMERS SMALL

462 Boston St - Topsfield, MA 01983 - Phone: 978-887-8050 - Fax: 978-887-5434

TS7020, TS7027



TS7022



TS7024

