

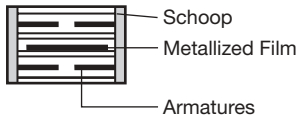
APPLICATIONS

- Commodity Product:
 - Decoupling with AC or pulse components
 - High current uses (TV deflection coils)
 - Capacitive dividers
 - Energy saving lamps, etc.

TECHNOLOGY

- Dielectric: Polypropylene film foil
- Wound capacitor
- Leads: Radial tinned wire
- Protection: Plastic case (UL94: V-O) / Polyurethane resin
- Marking: Logo
 - Type
 - Nominal Capacitance
 - Tolerance (EIA)
 - DC Nominal Voltage
 - Example: **T BA 4.7n J 630**
- Delivery Mode: Bulk
 - Taped (reel) for pitch = 15mm only

Schematic Cross Section



PERFORMANCE CHARACTERISTICS

Climatic Category:	55/100/56
Capacitance Range:	C_R 1 nF to 390 nF (E24)
Tolerances on C_R :	$\pm 5\%$, $\pm 10\%$
Nominal Voltages:	V_{r-} 630/1000/1600/2000 V $V_{r\sim}$ 350/450/550/650 V
Category Voltage:	$V_C = 0.7 V_R$ at 100°C
Test Voltage:	$V_{\theta} = 1.6 V_R / 2s$ at 25°C
Total Self Inductance (L):	For lead length = 2mm
Pitch (mm)	15 22.5 27.5
L (nH)	10 18 18
Tangent of Loss Angle:	D.F. $\leq 10 \cdot 10^{-4}$ at 1 kHz 25°C
Insulation Resistance:	IR > 100 G Ω for C $\leq 0.33\mu F$ IR > 30000s for C > 0.33 μF
Condition of Measurement:	100V (± 15) at 25°C

dv/dt:

V_R -	630	1000	1600	2000
(dv/dt) _R max pitch: 15mm	6900	7900	10800	14900
(dv/dt) _R max pitch: 22.5mm	2900	2800	6900	7700
(dv/dt) _R max pitch: 27.5mm	1800	1700	5100	5400

Thermal Resistance: R_{th} hot spot/ambient (°C/W)

Pitch (mm)	15mm				22.5mm				27.5mm			
Case	6	8	9	10	12	13	23	24	16	P0	18	19
Rth	126	92	78	64	53	45	37	29	40	36	27	22

STANDARDIZATION

- CEI 384-13
 - Performance Class 2
- CEI 384-17
 - Performance Class 1-1

BA 15/22/27

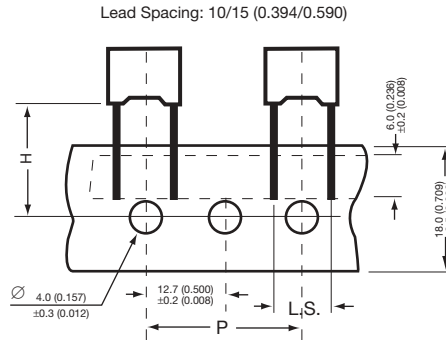


Pitch = 15mm / 22.5mm / 27.5mm

PACKAGING

• Reel

Taping Suffix EN	
	Lead Spacing Tol ± 0.4 (0.016)
	Pitch: 15 (0.590)
P	25.4 ± 1 (1.0 ± 0.039)
H	16 +1.5/-0.5 (0.600 +0.059/-0.020)



Adhesive tape ▲

(Other sizes according to standard CEI : 286-2)
Dimensions: millimeters (inches)

• Bulk

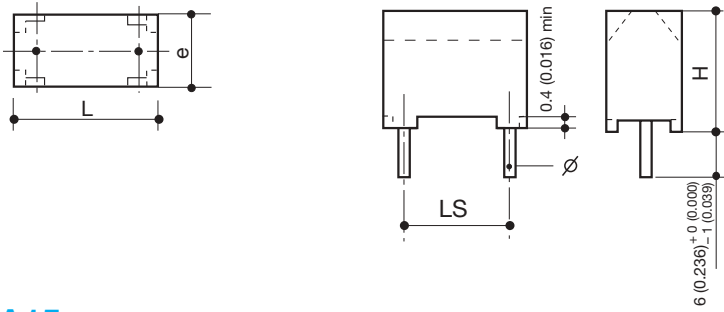
Suffix	- -	LG	KB	KC	KE	KH	KK	K3	K7
Leads Length	6mm +0/-1	3.2mm ± 0.4	3.5mm ± 0.5	4mm ± 0.5	5mm ± 0.5	9mm ± 0.5	15mm ± 0.5	20mm ± 1	25mm ± 1

Standard Suffix: - -
Special MOQ for these special suffix

BA 15/22/27



Pitch = 15mm



BA15

Pitch mm	Ordering Code	Vr-/Vr~	Cr	Case	Dimensions (mm)			MOQ		∅ +10% -0.5 mm	I ² t (A ² .sec)	I _{rms} (A)	
					L max	H max	e max	Reel	Bulk ⁽¹⁾				
15	BA156K0332+-	630/350	3.3nF	6	17.7	10.6	5.2	4000	6000	0.8	5.81 x 10 ⁻⁴	0.30	
15	BA156K0472+-		4.7nF	6	17.7	10.6	5.2	4000	6000	0.8	9.43 x 10 ⁻⁴	0.39	
15	BA156K0682+-		6.8nF	8	17.7	13.6	6.7	3332	6000	0.8	1.09 x 10 ⁻³	0.48	
15	BA156K0103+-		10nF	8	17.7	13.6	6.7	3332	6000	0.8	2.35 x 10 ⁻³	0.71	
15	BA156K0223+-		22nF	9	17.7	14.6	8.7	2500	8000	0.8	1.14 x 10 ⁻²	1.55	
15	BA156K0333+-		33nF	10	17.7	16.6	10.2		3600	0.8	2.56 x 10 ⁻²	2.33	
15	BA156K0393+-		39nF	10	17.7	16.6	10.2		3600	0.8	3.58 x 10 ⁻²	2.74	
15	BA156L0102+-	1000/450	1nF	6	17.7	10.6	5.2	4000	6000	0.8	1.07 x 10 ⁻⁴	0.21	
15	BA156L0152+-		1.5nF	6	17.7	10.6	5.2	4000	6000	0.8	2.40 x 10 ⁻⁴	0.33	
15	BA156L0222+-		2.2nF	6	17.7	10.6	5.2	4000	6000	0.8	4.30 x 10 ⁻⁴	0.40	
15	BA156L0332+-		3.3nF	6	17.7	10.6	5.2	4000	6000	0.8	5.81 x 10 ⁻⁴	0.40	
15	BA156L0472+-		4.7nF	6	17.7	10.6	5.2	4000	6000	0.8	9.43 x 10 ⁻⁴	0.50	
15	BA156L0682+-		6.8nF	8	17.7	13.6	6.7	3332	6000	0.8	1.97 x 10 ⁻³	0.63	
15	BA156L0103+-		10nF	8	17.7	13.6	6.7	3332	6000	0.8	4.27 x 10 ⁻³	0.92	
15	BA156L0153+-		15nF	9	17.7	14.6	8.7	2500	8000	0.8	9.60 x 10 ⁻³	1.38	
15	BA156L0223+-		22nF	10	17.7	16.6	10.2		3600	0.8	2.07 x 10 ⁻²	2.03	
15	BA156L0273+-		27nF	10	17.7	16.6	10.2		3600	0.8	3.11 x 10 ⁻²	2.50	
15	BA156M0102+-	1600/550	1nF	6	17.7	10.6	5.2	4000	6000	0.8	1.07 x 10 ⁻⁴	0.21	
15	BA156M0152+-		1.5nF	6	17.7	10.6	5.2	4000	6000	0.8	2.41 x 10 ⁻⁴	0.33	
15	BA156M0222+-		2.2nF	6	17.7	10.6	5.2	4000	6000	0.8	5.18 x 10 ⁻⁴	0.45	
15	BA156M0332+-		3.3nF	8	17.7	13.6	6.7	3332	6000	0.8	1.17 x 10 ⁻³	0.62	
15	BA156M0472+-		4.7nF	8	17.7	13.6	6.7	3332	6000	0.8	2.36 x 10 ⁻³	0.88	
15	BA156M0682+-		6.8nF	9	17.7	14.6	8.7	2500	8000	0.8	4.95 x 10 ⁻³	1.28	
15	BA156M0103+-		10nF	10	17.7	16.6	10.2		3600	0.8	1.07 x 10 ⁻²	1.89	
15	BA156M0123+-		12nF	10	17.7	16.6	10.2		3600	0.8	1.54 x 10 ⁻²	2.25	
15	BA156N0102+-		2000/650	1nF	6	17.7	10.6	5.2	4000	6000	0.8	1.81 x 10 ⁻⁴	0.26
15	BA156N0152+-			1.5nF	6	17.7	10.6	5.2	4000	6000	0.8	4.14 x 10 ⁻⁴	0.38
15	BA156N0222+-	2.2nF		8	17.7	13.6	6.7	3332	6000	0.8	8.92 x 10 ⁻⁴	0.58	
15	BA156N0332+-	3.3nF		8	17.7	13.6	6.7	3332	6000	0.8	2.00 x 10 ⁻³	0.86	
15	BA156N0472+-	4.7nF		9	17.7	14.6	8.7	2500	8000	0.8	4.07 x 10 ⁻³	1.22	
15	BA156N0682+-	6.8nF		10	17.7	16.6	10.2		3600	0.8	8.52 x 10 ⁻³	1.77	
15	BA156N0822+-	8.2nF		10	17.7	16.6	10.2		3600	0.8	1.24 x 10 ⁻²	2.14	

Replace the + by the tolerance code: J=5% - K=10%

Replace the - - by the packaging suffix: - - = standard bulk - EN = taping on reel etc

⁽¹⁾: MOQ for standard bulk suffix - -

BA 15/22/27



Pitch = 22.5mm/27.5mm

BA22

Pitch = 22.5mm

Pitch mm	Ordering Code	Vr-/Vr~	Cr	Case	Dimensions (mm)			MOQ		Ø +10% -0.5 mm	I ² t (A ² .sec)	Irms (A)
					L max	H max	e max	Reel	Bulk ⁽¹⁾			
22.5	BA226K0363+-	630/350	36nF	12	26.7	17.6	7.7		1600	0.8	2.29 x 10 ⁻²	1.39
22.5	BA226K0473+-		47nF	12	26.7	17.6	7.7		1600	0.8	3.90 x 10 ⁻²	1.81
22.5	BA226K0683+-		68nF	13	26.7	19.6	10.2		1200	0.8	8.15 x 10 ⁻²	2.63
22.5	BA226K0104+-		100nF	23	26.7	21.6	12.7		960	0.8	1.76 x 10 ⁻¹	3.86
22.5	BA226K0204+-		200nF	24	26.7	25.6	15.2		1600	0.8	7.05 x 10 ⁻¹	7.72
22.5	BA226L0243+-	1000/450	24nF	12	26.7	17.6	7.7		1600	0.8	1.57 x 10 ⁻²	1.15
22.5	BA226L0333+-		33nF	12	26.7	17.6	7.7		1600	0.8	2.97 x 10 ⁻²	1.57
22.5	BA226L0473+-		47nF	13	26.7	19.6	10.2		1200	0.8	6.02 x 10 ⁻²	2.24
22.5	BA226L0683+-		68nF	23	26.7	21.6	12.7		960	0.8	1.26 x 10 ⁻¹	3.24
22.5	BA226L0104+-		100nF	24	26.7	25.6	15.2		1600	0.8	2.73 x 10 ⁻¹	3.98
22.5	BA226L0154+-		150nF	24	26.7	25.6	15.2		1600	0.8	3.15 x 10 ⁻¹	7.14
22.5	BA226M0103+-	1600/550	10nF	12	26.7	17.6	7.7		1600	0.8	6.82 x 10 ⁻³	0.97
22.5	BA226M0223+-		22nF	13	26.7	19.6	10.2		1200	0.8	3.30 x 10 ⁻²	2.14
22.5	BA226M0333+-		33nF	23	26.7	21.6	12.7		960	0.8	7.42 x 10 ⁻²	3.21
22.5	BA226M0473+-		47nF	23	26.7	21.6	12.7		960	0.8	1.51 x 10 ⁻¹	4.58
22.5	BA226M0683+-		68nF	24	26.7	25.6	15.2		1600	0.8	3.15 x 10 ⁻¹	6.61
22.5	BA226N0562+-		2000/650	5.6nF	12	26.7	17.6	7.7		1600	0.8	3.01 x 10 ⁻³
22.5	BA226N0682+-	6.8nF		12	26.7	17.6	7.7		1600	0.8	4.44 x 10 ⁻³	0.85
22.5	BA226N0103+-	10nF		12	26.7	17.6	7.7		1600	0.8	9.60 x 10 ⁻³	1.25
22.5	BA226N0223+-	22nF		13	26.7	19.6	10.2		1200	0.8	4.65 x 10 ⁻²	2.76
22.5	BA226N0333+-	33nF		23	26.7	21.6	12.7		960	0.8	1.05 x 10 ⁻¹	4.14
22.5	BA226N0473+-	47nF		24	26.7	25.6	15.2		1600	0.8	2.12 x 10 ⁻¹	5.90
22.5	BA226N0563+-	56nF		24	26.7	25.6	15.2		1600	0.8	3.01 x 10 ⁻¹	7.02

Replace the + by the tolerance code: J=5% - K=10%
 Replace the - - by the packaging suffix: - - = standard bulk - EN = taping on reel etc
⁽¹⁾: MOQ for standard bulk suffix - -

BA27

Pitch = 27.5mm

Pitch mm	Ordering Code	Vr-/Vr~	Cr	Case	Dimensions (mm)			MOQ		Ø +10% -0.5 mm	I ² t (A ² .sec)	Irms (A)
					L max	H max	e max	Reel	Bulk ⁽¹⁾			
27.5	BA276K0683+-	630/350	68nF	16	31.7	19.6	10.2		960	0.8	2.53 x 10 ⁻²	1.99
27.5	BA276K0104+-		100nF	16	31.7	19.6	10.2		960	0.8	5.47 x 10 ⁻²	2.92
27.5	BA276K0224+-		220nF	18	31.7	26.2	15.2		1280	0.8	2.65 x 10 ⁻¹	6.42
27.5	BA276K0334+-		330nF	19	31.7	30.2	17.7		1040	0.8	5.96 x 10 ⁻¹	9.63
27.5	BA276K0394+-		390nF	19	31.7	30.2	17.7		1040	0.8	8.32 x 10 ⁻¹	11.39
27.5	BA276L0473+-	1000/450	47nF	16	31.7	19.6	10.2		960	0.8	2.67 x 10 ⁻²	1.67
27.5	BA276L0683+-		68nF	16	31.7	19.6	10.2		960	0.8	5.59 x 10 ⁻²	2.41
27.5	BA276L0104+-		100nF	P0	31.7	22.6	13.7		1600	0.8	1.21 x 10 ⁻¹	3.55
27.5	BA276L0224+-		220nF	18	31.7	26.2	15.2		1280	0.8	5.85 x 10 ⁻¹	7.79
27.5	BA276L0304+-		300nF	19	31.7	30.2	17.7		1040	0.8	1.09 x 10 ⁰	10.63
27.5	BA276M0303+-		1600/550	30nF	16	31.7	19.6	10.2		960	0.8	2.72 x 10 ⁻²
27.5	BA276M0333+-	33nF		16	31.7	19.6	10.2		960	0.8	3.29 x 10 ⁻²	2.39
27.5	BA276M0473+-	47nF		16	31.7	19.6	10.2		960	0.8	6.68 x 10 ⁻²	3.39
27.5	BA276M0683+-	68nF		P0	31.7	22.6	13.7		1600	0.8	1.40 x 10 ⁻¹	4.92
27.5	BA276M0104+-	100nF		18	31.7	26.2	15.2		1280	0.8	3.02 x 10 ⁻¹	7.23
27.5	BA276M0154+-	150nF		19	31.7	30.2	17.7		1040	0.8	6.80 x 10 ⁻¹	10.85
27.5	BA276N0153+-	2000/650	15nF	16	31.7	19.6	10.2		960	0.8	9.07 x 10 ⁻³	1.00
27.5	BA276N0223+-		22nF	16	31.7	19.6	10.2		960	0.8	1.95 x 10 ⁻²	2.02
27.5	BA276N0333+-		33nF	16	31.7	19.6	10.2		960	0.8	4.39 x 10 ⁻²	3.70
27.5	BA276N0473+-		47nF	P0	31.7	22.6	13.7		1600	0.8	8.90 x 10 ⁻²	4.35
27.5	BA276N0683+-		68nF	18	31.7	26.2	15.2		1280	0.8	1.86 x 10 ⁻¹	5.90
27.5	BA276N0104+-		100nF	19	31.7	30.2	17.7		1040	0.8	4.03 x 10 ⁻¹	8.68
27.5	BA276N0124+-		120nF	19	31.7	30.2	17.7		1040	0.8	5.80 x 10 ⁻¹	10.41

Replace the + by the tolerance code: J=5% - K=10%
 Replace the - - by the packaging suffix: - - = standard bulk - EN = taping on reel etc
⁽¹⁾: MOQ for standard bulk suffix - -

NOTICE: Specifications are subject to change without notice. Contact your nearest AVX Sales Office for the latest specifications. All statements, information and data given herein are believed to be accurate and reliable, but are presented without guarantee, warranty, or responsibility of any kind, expressed or implied. Statements or suggestions concerning possible use of our products are made without representation or warranty that any such use is free of patent infringement and are not recommendations to infringe any patent. The user should not assume that all safety measures are indicated or that other measures may not be required. Specifications are typical and may not apply to all applications.

© AVX Corporation

USA

**AVX Myrtle Beach, SC
Corporate Offices**
Tel: 843-448-9411
FAX: 843-448-1943

AVX Northwest, WA
Tel: 360-699-8746
FAX: 360-699-8751

AVX North Central, IN
Tel: 317-848-7153
FAX: 317-844-9314

AVX Mid/Pacific, MN
Tel: 952-974-9155
FAX: 952-974-9179

AVX Southwest, AZ

AVX South Central, TX
Tel: 972-669-1223
FAX: 972-669-2090

AVX Southeast, GA
Tel: 404-608-8151
FAX: 770-972-0766

AVX Canada
Tel: 905-564-8959
FAX: 905-564-9728

Tel: 480-539-1496
FAX: 480-539-1501

**AVX Limited, England
European Headquarters**
Tel: ++44 (0) 1252-770000
FAX: ++44 (0) 1252-770001

AVX/ELCO, England
Tel: ++44 (0) 1638-675000
FAX: ++44 (0) 1638-675001

AVX S.A., France
Tel: ++33 (1) 69-18-46-00
FAX: ++33 (1) 69-28-73-87

EUROPE

AVX GmbH, Germany
Tel: ++49 (0) 8131-9004-0
FAX: ++49 (0) 8131-9004-44

AVX srl, Italy
Tel: ++390 (0)2 614-571
FAX: ++390 (0)2 614-2576

AVX Czech Republic
Tel: ++420 (0) 465-358-111
FAX: ++420 (0) 465-323-010

ASIA-PACIFIC

**AVX/Kyocera, Singapore
Asia-Pacific Headquarters**
Tel: (65) 6286-7555
FAX: (65) 6488-9880

AVX/Kyocera, Hong Kong
Tel: (852) 2-363-3303
FAX: (852) 2-765-8185

AVX/Kyocera, Korea
Tel: (82) 2-785-6504
FAX: (82) 2-784-5411

AVX/Kyocera, Taiwan
Tel: (886) 2-2698-8778
FAX: (886) 2-2698-8777

AVX/Kyocera, Malaysia
Tel: (60) 4-228-1190
FAX: (60) 4-228-1196

Elco, Japan
Tel: 045-943-2906/7
FAX: 045-943-2910

Kyocera, Japan - AVX
Tel: (81) 75-604-3426
FAX: (81) 75-604-3425

Kyocera, Japan - KDP
Tel: (81) 75-604-3424
FAX: (81) 75-604-3425

**AVX/Kyocera,
Shanghai, China**
Tel: 86-21 6886 1000
FAX: 86-21 6886 1010

**AVX/Kyocera,
Tianjin, China**
Tel: 86-22 2576 0098
FAX: 86-22 2576 0096



A KYOCERA GROUP COMPANY

<http://www.avxcorp.com>

S-BLBA00M903-N