

Snap-in Type

Series: MD Type : TS

■ Features 20 to 30 % smaller than series TS-MC
Improved safety for DC overvoltage

■ Recommended Applications
Smoothing circuits, AC adaptor

■ Specifications

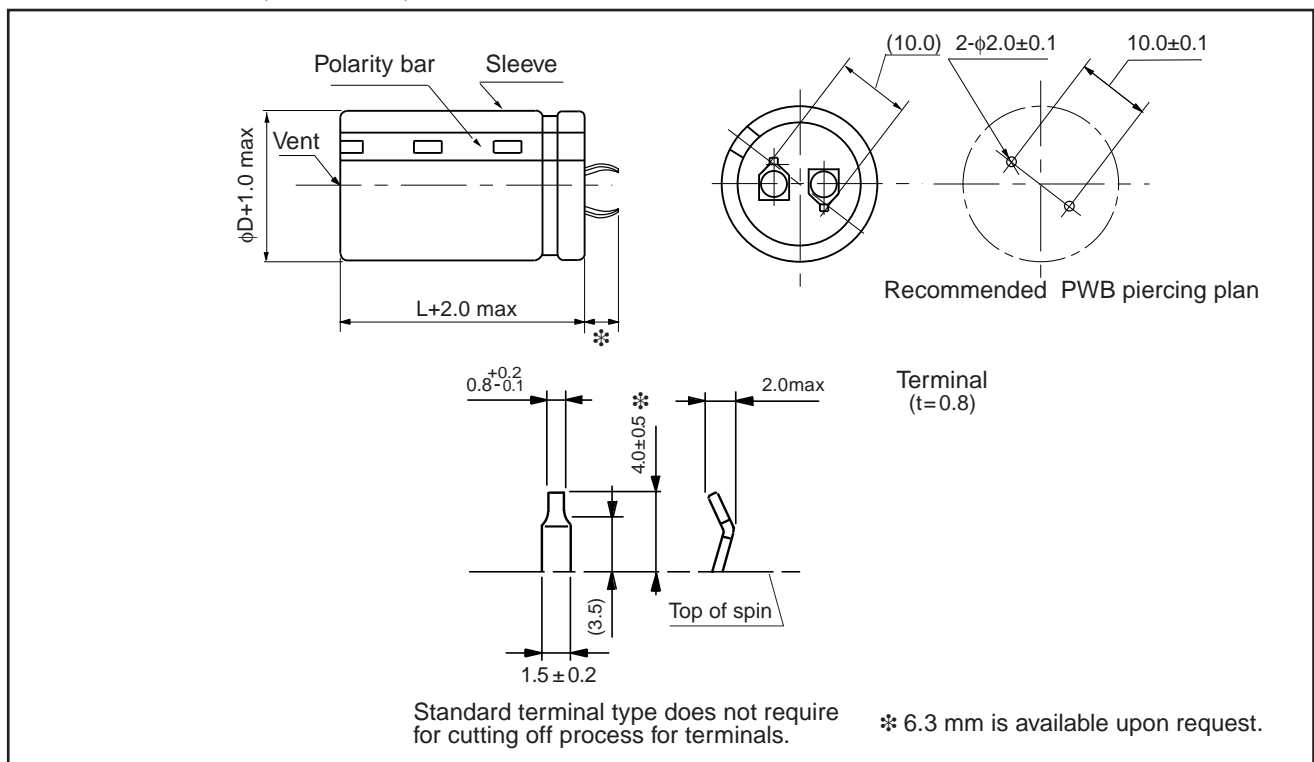
Country of Origin

Japan
U.S.A
Malaysia
China



Category temp. range	-40 to +105°C		-25 to +105°C					
Rated W.V. Range	200V. DC		400V. DC					
Nominal Cap. Range	220 to 1500 μF		56 to 470 μF					
Capacitance Tolerance	±20 % (120Hz/+20°C)							
DC Leakage Current	√CV (μA) (200 W.V.), 3√CV (μA) (400W.V.) whichever is smaller, after 5 minutes application of rated C: Capacitance (μF) V: W.V. (V.DC) working voltage at +20°C							
tan δ	Please see the attached standard products list.							
Frequency Correction Factor for Ripple Current	Frequency (Hz)	50	60	100	120	500	1k	10k to
	Correction Factor	0.75	0.80	0.95	1.00	1.20	1.25	1.40
Endurance	After 2000 hours application of DC voltage with specified ripple current (≤ rated DC working voltage) at +105°C, the capacitor shall meet the following limits.							
	Capacitance change	±20 % of initial measured value						
	tan δ	≤ 200 % of initial specified value						
Shelf Life	After storage for 1000 hours at +105±2 °C with no voltage applied and then being stabilized at +20 °C, capacitors shall meet the limits specified in "Endurance".(With voltage treatment)							
	Vent may work to prevent short circuit of fire under the following condition							
	Overvoltage	Condition	R.W.V.	N.Capacitance(μF)	Condition			
Current					DC voltage			
200 V			220 to 270	4A		DC 375 V		
			330 to 390	5A				
			470 to 1500	7A				
400 V			56 to 82	2A		DC 600V		
	100 to 180	4A						
	220 to 470	7A						

■ Dimensions in mm (not to scale)



Design, and specifications are each subject to change without notice. Ask factory for the current technical specifications before purchase and / or use. Should a safety concern arise regarding this product, please be sure to contact us immediately.

■ Standard Products

W.V. (V)	Cap. (±20%) (μF)	Case size		Specification		Part No.	Part No.	MinPackagingQty (pcs)
		Dia. (mm)	Length (mm)	Ripple current (120Hz) (+105°C) (A)	tan δ (120Hz) (+20°C)	PVC sleeve Terminal Length 4.0mm (Without P.V.C.plate)	PET sleeve Terminal Length 4.0mm (Without P.V.C.plate)	
200	220	22	25	1.00	0.15	EETLD2D221B	EETLD2D221BJ	200
	270	22	30	1.10	0.15	EETLD2D271B	EETLD2D271BJ	200
	330	22	30	1.20	0.15	EETLD2D331B	EETLD2D331BJ	200
		25	25	1.20	0.15	EETLD2D331C	EETLD2D331CJ	200
	390	22	35	1.35	0.15	EETLD2D391B	EETLD2D391BJ	200
		25	30	1.35	0.15	EETLD2D391C	EETLD2D391CJ	200
		30	25	1.35	0.15	EETLD2D391D	EETLD2D391DJ	200
	470	22	40	1.45	0.15	EETLD2D471B	EETLD2D471BJ	200
		25	30	1.45	0.15	EETLD2D471C	EETLD2D471CJ	200
		30	25	1.45	0.15	EETLD2D471D	EETLD2D471DJ	200
	560	22	45	1.60	0.15	EETLD2D561B	EETLD2D561BJ	200
		25	35	1.60	0.15	EETLD2D561C	EETLD2D561CJ	200
		30	30	1.60	0.15	EETLD2D561D	EETLD2D561DJ	200
		35	25	1.60	0.15	EETLD2D561E	EETLD2D561EJ	200
	680	25	40	1.75	0.15	EETLD2D681C	EETLD2D681CJ	200
		30	30	1.75	0.15	EETLD2D681D	EETLD2D681DJ	200
		35	25	1.75	0.15	EETLD2D681E	EETLD2D681EJ	200
	820	25	45	2.11	0.15	EETLD2D821C	EETLD2D821CJ	200
		30	35	2.11	0.15	EETLD2D821C	EETLD2D821CJ	100
		35	30	2.11	0.15	EETLD2D821E	EETLD2D821EJ	200
1000	30	45	2.40	0.15	EETLD2D102D	EETLD2D102DJ	100	
	35	30	2.40	0.15	EETLD2D102E	EETLD2D102EJ	200	
1200	30	45	2.65	0.15	EETLD2D122D	EETLD2D122DJ	100	
	35	35	2.65	0.15	EETLD2D122E	EETLD2D122EJ	100	
1500	35	45	3.08	0.15	EETLD2D152E	EETLD2D152EJ	100	
400	56	22	25	0.45	0.15	EETLD2G560B	EETLD2G560BJ	200
	68	22	30	0.51	0.15	EETLD2G680B	EETLD2G680BJ	200
	82	22	30	0.58	0.15	EETLD2G820B	EETLD2G820BJ	200
		25	25	0.58	0.15	EETLD2G820C	EETLD2G820CJ	200
	100	22	35	0.66	0.15	EETLD2G101B	EETLD2G101BJ	200
		25	30	0.66	0.15	EETLD2G101C	EETLD2G101CJ	200
		30	25	0.66	0.15	EETLD2G101D	EETLD2G101DJ	200
	120	22	40	0.78	0.15	EETLD2G121B	EETLD2G121BJ	200
		25	30	0.78	0.15	EETLD2G121C	EETLD2G121CJ	200
		30	25	0.78	0.15	EETLD2G121D	EETLD2G121DJ	200
	150	22	45	0.85	0.15	EETLD2G151B	EETLD2G151BJ	200
		25	35	0.85	0.15	EETLD2G151C	EETLD2G151CJ	200
		30	30	0.85	0.15	EETLD2G151D	EETLD2G151DJ	200
		35	25	0.85	0.15	EETLD2G151E	EETLD2G151EJ	200
	180	25	40	0.95	0.15	EETLD2G181C	EETLD2G181CJ	200
		30	30	0.95	0.15	EETLD2G181D	EETLD2G181DJ	200
35		25	0.95	0.15	EETLD2G181E	EETLD2G181EJ	200	

Endurance : 105°C 2000h

Terminal Pitch : 10mm

When capacitors of φ35×45L and φ35×50L are mounted on PWB, reinforce them with mounting clamp or adhesives.(Avoid using adhesives including halogenated compositions.)

Design, and specifications are each subject to change without notice. Ask factory for the current technical specifications before purchase and / or use. Should a safety concern arise regarding this product, please be sure to contact us immediately.

■ Standard Products

W.V. (V)	Cap. (±20%) (μF)	Case size		Specification		Part No.	Part No.	MinPackagingQty (pcs)
		Dia. (mm)	Length (mm)	Ripple current (120Hz) (+105°C) (A)	tan δ (120Hz) (+20°C)	PVC sleeve Terminal Length 4.0mm (Without P.V.C.plate)	PET sleeve Terminal Length 4.0mm (Without P.V.C.plate)	
400	220	25	45	1.24	0.15	EETLD2G221C	EETLD2G221CJ	200
		30	35	1.24	0.15	EETLD2G221D	EETLD2G221DJ	100
		35	30	1.24	0.15	EETLD2G221E	EETLD2G221EJ	200
	270	30	40	1.30	0.15	EETLD2G271D	EETLD2G271DJ	100
		35	30	1.30	0.15	EETLD2G271E	EETLD2G271EJ	200
	330	30	45	1.47	0.15	EETLD2G331D	EETLD2G331DJ	100
		35	35	1.47	0.15	EETLD2G331E	EETLD2G331EJ	100
	390	35	40	1.59	0.15	EETLD2G391E	EETLD2G391EJ	100
470	35	45	1.87	0.15	EETLD2G471E	EETLD2G471EJ	100	

Endurance : 105°C 2000h

Terminal Pitch : 10mm

When capacitors of φ35×45L and φ35×50L are mounted on PWB, reinforce them with mounting clamp or adhesives.(Avoid using adhesives including halogenated compositions.)