

Snap-in Type

Series: UQ Type : TS

■ Features Endurance: 85°C 2000 h
30% smaller than series UP

■ Recommended Applications
Smoothing circuits, AC adaptor

Country of Origin

Japan
Malaysia
U.S.A (***)
China

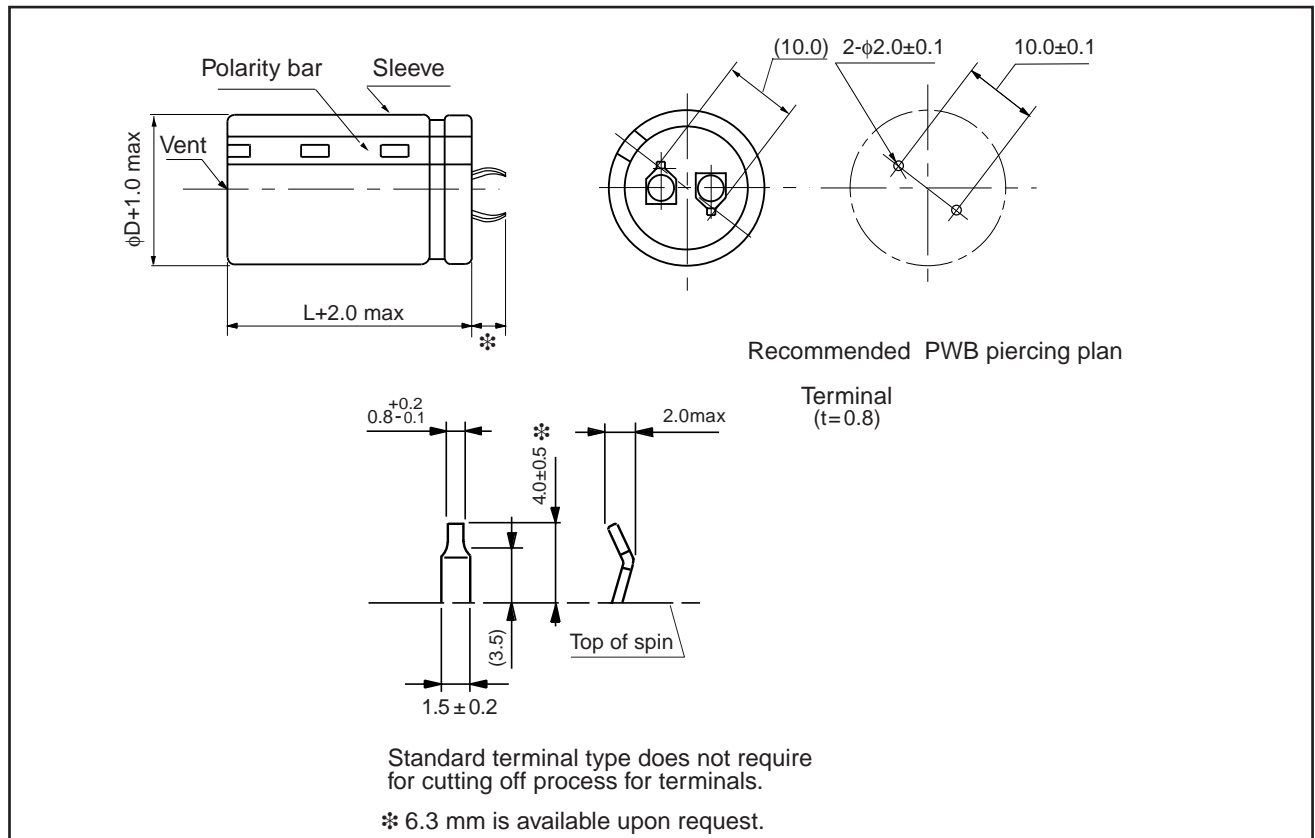


(***) Regarding USA product,
Please check ACOM's
Catalog.

Specifications

Category temp. range	-40 to +85°C		-25 to +85°C						
Rated W.V. Range	16 to 100V.DC	160 to 250 V .DC	315 to 450 V .DC						
Nominal Cap. Range	1000 to 100000μF	270 to 3900 μ F	82 to 1000 μ F						
Capacitance Tolerance	±20 % (120Hz/+20°C)								
DC Leakage Current	3√CV (μA) max. after 5 minutes application of rated working voltage at +20°C. C:Capacitance(μF) V: W.V. (V.DC)								
tan δ	Please see the attached standard products list								
Frequency Correction Factor for Ripple Current	Frequency (Hz)	50	60	100	120	500	1k	10k to	
	Correction Factor	16 to 100V	0.93	0.95	0.99	1.00	1.05	1.08	1.15
		160 to 450V	0.75	0.80	0.95	1.00	1.20	1.25	1.40
Endurance	After 2000 hours application of DC voltage with specified ripple current (≤ rated DC working voltage) at +85°C, the capacitor shall meet the following limits.								
	Capacitance change	±20 % of initial measured value							
	tan δ	≤ 200 % of initial specified value							
Shelf Life	After storage for 1000hours at +85±2 °C with no voltage applied and then being stabilized at +20 °C, capacitors shall meet the limits specified in "Endurance".(With voltage treatment)								

Dimensions in mm (not to scale)



Design, and specifications are each subject to change without notice. Ask factory for the current technical specifications before purchase and / or use. Should a safety concern arise regarding this product, please be sure to contact us immediately.

■ Standard Products

W.V. (V)	Cap. (±20%) (μF)	Case size		Specification		Part No.	Part No.	Min.PackagingQty (pcs)
		Dia. (mm)	Length (mm)	Ripple current (120Hz) (+85°C) (A)	tan δ (120Hz) (+20°C)	P.V.C Sleeve Terminal Length 4.0mm (Without P.V.C.plate)	PET sleeve Terminal Length 4.0mm (Without P.V.C.plate)	
16	12000	22	25	4.5	0.50	EETUQ1C123H	EETUQ1C123HJ	200
	15000	22	30	5.3	0.50	EETUQ1C153H	EETUQ1C153HJ	200
	18000	22	35	5.6	0.50	EETUQ1C183H	EETUQ1C183HJ	200
		25	25	5.6	0.50	EETUQ1C183J	EETUQ1C183JJ	200
	22000	22	40	6.1	0.50	EETUQ1C223H	EETUQ1C223HJ	200
		25	30	6.1	0.50	EETUQ1C223J	EETUQ1C223JJ	200
	27000	22	45	6.3	0.50	EETUQ1C273H	EETUQ1C273HJ	200
		25	35	6.3	0.50	EETUQ1C273J	EETUQ1C273JJ	200
		30	25	6.3	0.50	EETUQ1C273K	EETUQ1C273KJ	200
	33000	22	50	6.8	0.50	EETUQ1C333H	EETUQ1C333HJ	200
		25	40	6.8	0.50	EETUQ1C333J	EETUQ1C333JJ	200
		30	30	6.8	0.50	EETUQ1C333K	EETUQ1C333KJ	200
		35	25	6.8	0.50	EETUQ1C333L	EETUQ1C333LJ	200
	39000	25	45	6.9	0.56	EETUQ1C393J	EETUQ1C393JJ	200
		30	35	6.9	0.56	EETUQ1C393K	EETUQ1C393KJ	100
	47000	25	50	7.5	0.64	EETUQ1C473J	EETUQ1C473JJ	200
		30	40	7.5	0.64	EETUQ1C473K	EETUQ1C473KJ	100
		35	30	7.5	0.64	EETUQ1C473L	EETUQ1C473LJ	200
	56000	30	45	8.7	0.73	EETUQ1C563K	EETUQ1C563KJ	100
		35	35	8.7	0.73	EETUQ1C563L	EETUQ1C562LJ	100
68000	30	50	9.1	0.85	EETUQ1C683K	EETUQ1C683KJ	100	
	35	40	9.1	0.85	EETUQ1C683L	EETUQ1C683LJ	100	
82000	35	45	9.5	0.99	EETUQ1C823L	EETUQ1C823LJ	100	
100000	35	50	10.2	1.17	EETUQ1C104L	EETUQ1C104LJ	100	
25	8200	22	25	3.6	0.40	EETUQ1E822H	EETUQ1E822HJ	200
	10000	22	30	3.8	0.40	EETUQ1E103H	EETUQ1E103HJ	200
	12000	22	30	4.1	0.40	EETUQ1E123H	EETUQ1E123HJ	200
		25	25	4.1	0.40	EETUQ1E123J	EETUQ1E123JJ	200
	15000	22	35	4.6	0.40	EETUQ1E153H	EETUQ1E153HJ	200
		25	30	4.6	0.40	EETUQ1E153J	EETUQ1E153JJ	200
	18000	22	40	5.5	0.40	EETUQ1E183H	EETUQ1E183HJ	200
		25	35	5.5	0.40	EETUQ1E183J	EETUQ1E183JJ	200
		30	25	5.5	0.40	EETUQ1E183K	EETUQ1E183KJ	200
	22000	22	45	6.1	0.40	EETUQ1E223H	EETUQ1E223HJ	200
		25	40	6.1	0.40	EETUQ1E223J	EETUQ1E223JJ	200
		30	30	6.1	0.40	EETUQ1E223K	EETUQ1E223KJ	200
		35	25	6.1	0.40	EETUQ1E223L	EETUQ1E223LJ	200
	27000	25	45	6.2	0.40	EETUQ1E273J	EETUQ1E273JJ	200
		30	35	6.2	0.40	EETUQ1E273K	EETUQ1E273KJ	100
	33000	25	50	6.8	0.40	EETUQ1E333J	EETUQ1E333JJ	200
30		40	6.8	0.40	EETUQ1E333K	EETUQ1E333KJ	100	
35		30	6.8	0.40	EETUQ1E333L	EETUQ1E333LJ	200	

Endurance : 85°C 2000 h, Terminal Pitch : 10mm

When capacitors of φ35×45L and φ35×50L are mounted on PWB, reinforce them with mounting clamp or adhesives.(Avoid using adhesives including halogenated compositions.)

Design, and specifications are each subject to change without notice. Ask factory for the current technical specifications before purchase and / or use. Should a safety concern arise regarding this product, please be sure to contact us immediately.

■ Standard Products

W.V. (V)	Cap. (±20%) (μF)	Case size		Specification		Part No.	Part No.	Min.PackagingQty (pcs)
		Dia. (mm)	Length (mm)	Ripple current (120Hz) (+85°C) (A)	tan δ (120Hz) (+20°C)	P.V.C Sleeve Terminal Length 4.0mm (Without P.V.C.plate)	PET sleeve Terminal Length 4.0mm (Without P.V.C.plate)	
25	39000	30	25	7.4	0.46	EETUQ1E393K	EETUQ1E393KJ	100
		35	35	7.4	0.46	EETUQ1E393L	EETUQ1E393LJ	100
	47000	30	50	8.0	0.54	EETUQ1E473K	EETUQ1E473KJ	100
		35	40	8.0	0.54	EETUQ1E473L	EETUQ1E473LJ	100
	56000	35	45	8.7	0.63	EETUQ1E563L	EETUQ1E563LJ	100
	68000	35	50	9.6	0.75	EETUQ1E683LJ	EETUQ1E683LJ	100
35	5600	22	25	3.4	0.35	EETUQ1V562H	EETUQ1V562HJ	200
	6800	22	30	3.7	0.35	EETUQ1V682H	EETUQ1V682HJ	200
	8200	22	30	4.0	0.35	EETUQ1V822H	EETUQ1V822HJ	200
		25	25	4.0	0.35	EETUQ1V822J	EETUQ1V822JJ	200
	10000	22	35	4.4	0.35	EETUQ1V103H	EETUQ1V103HJ	200
		25	30	4.4	0.35	EETUQ1V103J	EETUQ1V103JJ	200
	12000	22	40	5.1	0.35	EETUQ1V123H	EETUQ1V123HJ	200
		25	35	5.1	0.35	EETUQ1V123J	EETUQ1V123JJ	200
		30	25	5.1	0.35	EETUQ1V123K	EETUQ1V123KJ	200
	15000	22	45	5.6	0.35	EETUQ1V153H	EETUQ1V153HJ	200
		25	40	5.6	0.35	EETUQ1V153J	EETUQ1V153JJ	200
	18000	25	45	5.7	0.35	EETUQ1V183J	EETUQ1V183JJ	200
		30	30	5.7	0.35	EETUQ1V123K	EETUQ1V123KJ	200
		35	25	5.7	0.35	EETUQ1V183L	EETUQ1V183LJ	200
	22000	25	50	6.1	0.35	EETUQ1V223J	EETUQ1V223JJ	200
		30	35	6.1	0.35	EETUQ1V223K	EETUQ1V223KJ	100
		35	30	6.1	0.35	EETUQ1V223L	EETUQ1V223LJ	200
	27000	30	45	6.8	0.35	EETUQ1V273K	EETUQ1V273KJ	100
		35	35	6.8	0.35	EETUQ1V273L	EETUQ1V273LJ	100
	33000	30	50	7.2	0.35	EETUQ1V333K	EETUQ1V333KJ	100
		35	40	7.2	0.35	EETUQ1V333L	EETUQ1V333LJ	100
	39000	35	45	7.7	0.41	EETUQ1V393L	EETUQ1V393LJ	100
	47000	35	50	8.5	0.49	EETUQ1V473L	EETUQ1V473LJ	100
	50	3300	22	25	2.7	0.30	EETUQ1H332H	EETUQ1H332HJ
3900		22	30	2.8	0.30	EETUQ1H392H	EETUQ1H392HJ	200
4700		22	30	3.0	0.30	EETUQ1H472H	EETUQ1H472HJ	200
		25	25	3.0	0.30	EETUQ1H472J	EETUQ1H472JJ	200
5600		22	35	3.4	0.30	EETUQ1H562H	EETUQ1H562HJ	200
6800		22	40	3.9	0.30	EETUQ1H682H	EETUQ1H682HJ	200
		25	30	3.9	0.30	EETUQ1H682J	EETUQ1H682JJ	200
		30	25	3.9	0.30	EETUQ1H682K	EETUQ1H682KJ	200
8200		22	45	4.4	0.30	EETUQ1H822H	EETUQ1H822HJ	200
		25	35	4.4	0.30	EETUQ1H822J	EETUQ1H822JJ	200
10000		22	50	5.0	0.30	EETUQ1H103H	EETUQ1H103HJ	200
		25	40	5.0	0.30	EETUQ1H103J	EETUQ1H103JJ	200
	30	40	5.0	0.30	EETUQ1H103K	EETUQ1H103KJ	200	

Endurance : 85°C 2000 h, Terminal Pitch : 10mm
 When capacitors of φ35×45L and φ35×50L are mounted on PWB, reinforce them with mounting clamp or adhesives.(Avoid using adhesives including halogenated compositions.)

Design, and specifications are each subject to change without notice. Ask factory for the current technical specifications before purchase and / or use. Should a safety concern arise regarding this product, please be sure to contact us immediately.

■ Standard Products

W.V. (V)	Cap. (±20%) (μF)	Case size		Specification		Part No.	Part No.	Min.PackagingQty (pcs)
		Dia. (mm)	Length (mm)	Ripple current (120Hz) (+85°C) (A)	tan δ (120Hz) (+20°C)	P.V.C Sleeve Terminal Length 4.0mm (Without P.V.C.plate)	PET sleeve Terminal Length 4.0mm (Without P.V.C.plate)	
50	10000	35	25	5.0	0.30	EETUQ1H103L	EETUQ1H103LJ	200
	12000	25	45	5.6	0.30	EETUQ1H123J	EETUQ1H123JJ	200
		30	35	5.6	0.30	EETUQ1H123K	EETUQ1H123KJ	100
		35	30	5.6	0.30	EETUQ1H123L	EETUQ1H123LJ	200
	15000	30	40	6.4	0.30	EETUQ1H153K	EETUQ1H153KJ	100
		35	35	6.4	0.30	EETUQ1H153L	EETUQ1H153LJ	100
	18000	30	45	6.9	0.30	EETUQ1H183K	EETUQ1H183KJ	100
		35	40	6.9	0.30	EETUQ1H183L	EETUQ1H183LJ	100
	22000	35	45	7.6	0.30	EETUQ1H223L	EETUQ1H223LJ	100
	27000	35	50	8.3	0.30	EETUQ1H273L	EETUQ1H273LJ	100
63	2200	22	25	2.5	0.30	EETUQ1J222H	EETUQ1J222HJ	200
	2700	22	30	3.7	0.30	EETUQ1J272H	EETUQ1J272HJ	200
	3300	22	30	4.1	0.30	EETUQ1J332H	EETUQ1J332HJ	200
		25	25	4.1	0.30	EETUQ1J332J	EETUQ1J332JJ	200
	3900	22	35	4.4	0.30	EETUQ1J392H	EETUQ1J392HJ	200
		25	30	4.4	0.30	EETUQ1J392J	EETUQ1J392JJ	200
	4700	22	40	4.9	0.30	EETUQ1J472H	EETUQ1J472HJ	200
		25	35	4.9	0.30	EETUQ1J332J	EETUQ1J332JJ	200
		30	25	4.9	0.30	EETUQ1J472K	EETUQ1J473KJ	200
	5600	22	45	5.4	0.30	EETUQ1J562H	EETUQ1J562HJ	200
		25	40	5.4	0.30	EETUQ1J562J	EETUQ1J562JJ	200
	6800	25	45	5.8	0.30	EETUQ1J682J	EETUQ1J682JJ	200
		30	30	5.8	0.30	EETUQ1J682K	EETUQ1J682KJ	200
		35	25	6.0	0.30	EETUQ1J682L	EETUQ1J682LJ	200
	8200	25	50	6.0	0.30	EETUQ1J822J	EETUQ1J822JJ	200
		30	35	6.0	0.30	EETUQ1J822K	EETUQ1J822KJ	100
		35	30	6.5	0.30	EETUQ1J822L	EETUQ1J822LJ	200
	10000	30	40	6.5	0.30	EETUQ1J103K	EETUQ1J103KJ	100
		35	35	6.5	0.30	EETUQ1J103L	EETUQ1J103LJ	100
	12000	30	45	7.2	0.30	EETUQ1J123K	EETUQ1J123KJ	100
35		40	7.2	0.30	EETUQ1J123L	EETUQ1J123LJ	100	
15000	35	45	7.9	0.30	EETUQ1J153L	EETUQ1J153LJ	100	
18000	35	50	8.6	0.30	EETUQ1J183L	EETUQ1J183LJ	100	
80	1500	22	25	2.3	0.25	EETUQ1K152H	EETUQ1K152HJ	200
	1800	22	30	2.5	0.25	EETUQ1K182H	EETUQ1K182HJ	200
	2200	22	35	2.7	0.25	EETUQ1K222H	EETUQ1K222HJ	200
		25	25	2.7	0.25	EETUQ1K222J	EETUQ1K222JJ	200
	2700	22	40	2.8	0.25	EETUQ1K272H	EETUQ1K272HJ	200
		25	30	2.8	0.25	EETUQ1K272J	EETUQ1K272JJ	200
	3300	22	45	3.2	0.25	EETUQ1K332H	EETUQ1K332HJ	200
		25	35	3.2	0.25	EETUQ1K332J	EETUQ1K332JJ	200
30	25	3.2	0.25	EETUQ1K332K	EETUQ1K332KJ	200		

Endurance : 85°C 2000 h, Terminal Pitch : 10mm
 When capacitors of φ35×45L and φ35×50L are mounted on PWB, reinforce them with mounting clamp or adhesives.(Avoid using adhesives including halogenated compositions.)

Design, and specifications are each subject to change without notice. Ask factory for the current technical specifications before purchase and / or use. Should a safety concern arise regarding this product, please be sure to contact us immediately.

■ Standard Products

W.V. (V)	Cap. (±20%) (μF)	Case size		Specification		Part No.	Part No.	Min.PackagingQty (pcs)
		Dia. (mm)	Length (mm)	Ripple current (120Hz) (+85°C) (A)	tan δ (120Hz) (+20°C)	P.V.C Sleeve Terminal Length 4.0mm (Without P.V.C.plate)	PET sleeve Terminal Length 4.0mm (Without P.V.C.plate)	
80	3900	22	50	3.6	0.25	EETUQ1K392H	EETUQ1K392HJ	200
		25	40	3.6	0.25	EETUQ1K392J	EETUQ1K392JJ	200
	4700	25	45	4.1	0.25	EETUQ1K472J	EETUQ1K472JJ	200
		30	30	4.1	0.25	EETUQ1K472K	EETUQ1K472KJ	200
	5600	25	50	4.6	0.25	EETUQ1K562J	EETUQ1K562JJ	200
		30	35	4.6	0.25	EETUQ1K562K	EETUQ1K562KJ	100
		35	30	4.6	0.25	EETUQ1K562L	EETUQ1K562LJ	200
	6800	30	45	5.2	0.25	EETUQ1K682K	EETUQ1K682KJ	100
		35	35	5.2	0.25	EETUQ1K682L	EETUQ1K682LJ	100
	8200	30	50	5.8	0.25	EETUQ1K822K	EETUQ1K822KJ	100
		35	40	5.8	0.25	EETUQ1K822L	EETUQ1K822LJ	100
	10000	35	45	6.4	0.25	EETUQ1K103L	EETUQ1K103LJ	100
12000	35	50	7.0	0.25	EETUQ1K123L	EETUQ1K123LJ	100	
100	1000	22	25	2.0	0.25	EETUQ2A102H	EETUQ2A102HJ	200
		22	30	2.3	0.25	EETUQ2A122H	EETUQ2A122HJ	200
	1200	25	25	2.3	0.25	EETUQ2A122J	EETUQ2A122JJ	200
		22	30	2.6	0.25	EETUQ2A152H	EETUQ2A152HJ	200
	1500	22	30	2.6	0.25	EETUQ2A152H	EETUQ2A152HJ	200
		1800	22	35	2.8	0.25	EETUQ2A182H	EETUQ2A182HJ
	25		30	2.8	0.25	EETUQ2A182J	EETUQ2A182JJ	200
	2200	22	45	3.1	0.25	EETUQ2A222H	EETUQ2A222HJ	200
		25	35	3.1	0.25	EETUQ2A222J	EETUQ2A222JJ	200
		30	25	3.1	0.25	EETUQ2A222K	EETUQ2A222KJ	200
	2700	22	50	3.7	0.25	EETUQ2A272H	EETUQ2A272HJ	200
		25	40	3.7	0.25	EETUQ2A272J	EETUQ2A272JJ	200
		30	30	3.7	0.25	EETUQ2A272K	EETUQ2A272KJ	200
		35	25	3.7	0.25	EETUQ2A272L	EETUQ2A272LJ	200
	3300	25	45	4.1	0.25	EETUQ2A332J	EETUQ2A332JJ	200
		30	35	4.1	0.25	EETUQ2A332K	EETUQ2A332KJ	100
	3900	25	50	4.5	0.25	EETUQ2A392J	EETUQ2A392JJ	200
		30	40	4.5	0.25	EETUQ2A392K	EETUQ2A392KJ	100
		35	30	4.5	0.25	EETUQ2A392L	EETUQ2A392LJ	200
	4700	30	45	5.1	0.25	EETUQ2A472K	EETUQ2A472KJ	100
		35	35	5.1	0.25	EETUQ2A472L	EETUQ2A472LJ	100
	5600	30	50	5.8	0.25	EETUQ2A562K	EETUQ2A562KJ	100
		35	40	5.8	0.25	EETUQ2A562L	EETUQ2A562LJ	100
	6800	35	45	6.6	0.25	EETUQ2A682L	EETUQ2A682LJ	100
8200	35	50	7.2	0.25	EETUQ2A822L	EETUQ2A822LJ	100	

Endurance : 85°C 2000 h, Terminal Pitch : 10mm

When capacitors of φ35×45L and φ35×50L are mounted on PWB, reinforce them with mounting clamp or adhesives.(Avoid using adhesives including halogenated compositions.)

■ Standard Products

W.V. (V)	Cap. (±20%) (μF)	Case size		Specification		Part No.	Part No.	Min.Packaging Q'ty (pcs)
		Dia. (mm)	Length (mm)	Ripple current (120Hz) (+85°C) (A)	tan δ (120Hz) (+20°C)	P.V.C Sleeve Terminal Length 4.0mm (Without P.V.C.plate)	PET sleeve Terminal Length 4.0mm (Without P.V.C.plate)	
160	560	22	25	2.25	0.15	EETUQ2C561H	EETUQ2C561HJ	200
	680	22	30	2.50	0.15	EETUQ2C681H	EETUQ2C681HJ	200
	820	22	35	2.75	0.15	EETUQ2C821H	EETUQ2C821HJ	200
	1000	22	40	3.00	0.15	EETUQ2C102H	EETUQ2C102HJ	200
		25	30	3.00	0.15	EETUQ2C102J	EETUQ2C102JJ	200
	1200	22	45	3.25	0.15	EETUQ2C122H	EETUQ2C122HJ	200
		25	35	3.25	0.15	EETUQ2C122J	EETUQ2C122JJ	200
		30	25	3.25	0.15	EETUQ2C122K	EETUQ2C122KJ	200
	1500	22	50	3.73	0.15	EETUQ2C152H	EETUQ2C152HJ	200
		25	40	3.73	0.15	EETUQ2C152J	EETUQ2C152JJ	200
		30	30	3.73	0.15	EETUQ2C152K	EETUQ2C152KJ	200
		35	25	3.73	0.15	EETUQ2C152L	EETUQ2C152LJ	200
	1800	25	45	4.20	0.15	EETUQ2C182J	EETUQ2C182JJ	200
		30	35	4.20	0.15	EETUQ2C182K	EETUQ2C182KJ	100
		35	30	4.20	0.15	EETUQ2C182L	EETUQ2C182LJ	200
	2200	30	40	4.78	0.15	EETUQ2C222K	EETUQ2C222KJ	100
35		35	4.78	0.15	EETUQ2C222L	EETUQ2C222LJ	100	
2700	30	45	5.45	0.15	EETUQ2C272K	EETUQ2C272KJ	100	
	35	40	5.45	0.15	EETUQ2C272L	EETUQ2C272LJ	100	
3300	35	45	5.75	0.15	EETUQ2C332L	EETUQ2C332LJ	100	
3900	35	50	6.00	0.15	EETUQ2C392L	EETUQ2C392LJ	100	
180	470	22	25	2.08	0.15	EETUQ2P471H	EETUQ2P471HJ	200
	560	22	30	2.25	0.15	EETUQ2P561H	EETUQ2P561HJ	200
	680	22	30	2.50	0.15	EETUQ2P681H	EETUQ2P681HJ	200
		25	25	2.50	0.15	EETUQ2P681J	EETUQ2P681JJ	200
	820	22	35	2.75	0.15	EETUQ2P821H	EETUQ2P821HJ	200
		25	30	2.75	0.15	EETUQ2P821J	EETUQ2P821JJ	200
	1000	22	45	3.00	0.315	EETUQ2P102H	EETUQ2P102HJ	200
		25	35	3.00	0.15	EETUQ2P102J	EETUQ2P102JJ	200
		30	25	3.00	0.15	EETUQ2P102K	EETUQ2P102KJ	200
	1200	22	50	3.31	0.15	EETUQ2P122H	EETUQ2P122HJ	200
		25	40	3.31	0.15	EETUQ2P122J	EETUQ2P122JJ	200
		30	30	3.31	0.15	EETUQ2P122K	EETUQ2P122KJ	200
		35	25	3.31	0.15	EETUQ2P122L	EETUQ2P122LJ	200
	1500	25	45	3.83	0.15	EETUQ2P152J	EETUQ2P152JJ	200
		30	35	3.83	0.15	EETUQ2P152K	EETUQ2P152KJ	100
		35	30	3.83	0.15	EETUQ2P152L	EETUQ2P152LJ	200
1800	25	50	4.32	0.15	EETUQ2P182J	EETUQ2P182JJ	200	
	30	40	4.32	0.15	EETUQ2P182K	EETUQ2P182KJ	100	
	35	30	4.32	0.15	EETUQ2P182L	EETUQ2P182LJ	200	
2200	30	45	4.92	0.15	EETUQ2P222K	EETUQ2P222KJ	100	
	35	40	4.92	0.15	EETUQ2P222L	EETUQ2P222LJ	100	

Endurance : 85°C 2000h
Terminal Pitch : 10mm

When capacitors of φ35x45L and φ35x50L are mounted on PWB, reinforce them with mounting clamp or adhesives.(Avoid using adhesives including halogenated compositions.)

Design, and specifications are each subject to change without notice. Ask factory for the current technical specifications before purchase and / or use. Should a safety concern arise regarding this product, please be sure to contact us immediately.

■ Standard Products

W.V. (V)	Cap. (±20%) (μF)	Case size		Specification		Part No.	Part No.	Min.Packaging Q'ty (pcs)
		Dia. (mm)	Length (mm)	Ripple current (120Hz) (+85°C) (A)	tan δ (120Hz) (+20°C)	P.V.C Sleeve Terminal Length 4.0mm (Without P.V.C.plate)	PET sleeve Terminal Length 4.0mm (Without P.V.C.plate)	
180	2700	30	50	5.52	0.15	EETUQ2P272K	EETUQ2P272KJ	100
		35	45	5.52	0.15	EETUQ2P272L	EETUQ2P272LJ	100
	3300	35	50	5.75	0.15	EETUQ2P332L	EETUQ2P332LJ	100
200	390	22	25	1.68	0.15	EETUQ2D391H	EETUQ2D391HJ	200
		470	22	30	1.85	0.15	EETUQ2D471H	EETUQ2D471HJ
	560	22	30	2.43	0.15	EETUQ2D561H	EETUQ2D561HJ	200
		25	25	2.43	0.15	EETUQ2D561J	EETUQ2D561JJ	200
	680	22	35	2.68	0.15	EETUQ2D681H	EETUQ2D681HJ	200
		25	30	2.68	0.15	EETUQ2D681J	EETUQ2D681JJ	200
	820	22	40	2.93	0.15	EETUQ2D821H	EETUQ2D821HJ	200
		25	30	2.92	0.15	EETUQ2D821J	EETUQ2D821JJ	200
		30	25	2.93	0.15	EETUQ2D821K	EETUQ2D821KJ	200
	1000	22	45	3.25	0.15	EETUQ2D102H	EETUQ2D102HJ	200
		25	35	3.25	0.15	EETUQ2D102J	EETUQ2D102JJ	200
		30	30	3.25	0.15	EETUQ2D102K	EETUQ2D102KJ	200
		35	25	3.25	0.15	EETUQ2D102L	EETUQ2D102LJ	200
	1200	22	50	3.50	0.15	EETUQ2D122H	EETUQ2D122HJ	200
		25	40	3.50	0.15	EETUQ2D122J	EETUQ2D122JJ	200
		30	30	3.50	0.15	EETUQ2D122K	EETUQ2D122KJ	200
	1500	25	50	3.87	0.15	EETUQ2D152J	EETUQ2D152JJ	200
		30	35	3.87	0.15	EETUQ2D152K	EETUQ2D152KJ	100
		35	30	3.87	0.15	EETUQ2D152L	EETUQ2D152LJ	200
	1800	30	45	4.32	0.15	EETUQ2D182K	EETUQ2D182KJ	100
35		35	4.32	0.15	EETUQ2D182L	EETUQ2D182LJ	100	
2200	30	50	4.92	0.15	EETUQ2D222K	EETUQ2D222KJ	100	
	35	40	4.92	0.15	EETUQ2D222L	EETUQ2D222LJ	100	
2700	35	50	5.45	0.15	EETUQ2D272L	EETUQ2D272LJ	100	
250	270	22	25	1.31	0.15	EETUQ2E271H	EETUQ2E271HJ	200
	330	22	30	1.75	0.15	EETUQ2E331H	EETUQ2E331HJ	200
	390	22	30	1.91	0.15	EETUQ2E391H	EETUQ2E391HJ	200
		25	25	1.91	0.15	EETUQ2E391J	EETUQ2E391JJ	200
	470	22	35	2.11	0.15	EETUQ2E471H	EETUQ2E471HJ	200
		25	30	2.11	0.15	EETUQ2E471J	EETUQ2E471JJ	200
	560	22	40	2.25	0.15	EETUQ2E561H	EETUQ2E561HJ	200
		25	30	2.25	0.15	EETUQ2E561J	EETUQ2E561JJ	200
		30	25	2.25	0.15	EETUQ2E561K	EETUQ2E561KJ	200
	680	22	45	2.50	0.15	EETUQ2E681H	EETUQ2E681HJ	200
		25	35	2.50	0.15	EETUQ2E681J	EETUQ2E681JJ	200
		30	30	2.50	0.15	EETUQ2E681K	EETUQ2E681KJ	200
	820	22	50	2.77	0.15	EETUQ2E821H	EETUQ2E821HJ	200
		25	40	2.77	0.15	EETUQ2E821J	EETUQ2E821JJ	200
		30	30	2.77	0.15	EETUQ2E821K	EETUQ2E821KJ	200

Endurance : 85°C 2000h
Terminal Pitch : 10mm

When capacitors of φ35x45L and φ35x50L are mounted on PWB, reinforce them with mounting clamp or adhesives.(Avoid using adhesives including halogenated compositions.)

Design, and specifications are each subject to change without notice. Ask factory for the current technical specifications before purchase and / or use. Should a safety concern arise regarding this product, please be sure to contact us immediately.

■ Standard Products

W.V. (V)	Cap. (±20%) (μF)	Case size		Specification		Part No.	Part No.	Min.Packaging Q'ty (pcs)
		Dia. (mm)	Length (mm)	Ripple current (120Hz) (+85°C) (A)	tan δ (120Hz) (+20°C)	P.V.C Sleeve Terminal Length 4.0mm (Without P.V.C.plate)	PET sleeve Terminal Length 4.0mm (Without P.V.C.plate)	
250	820	35	25	2.77	0.15	EETUQ2E821L	EETUQ2E821LJ	200
	1000	25	45	3.32	0.15	EETUQ2E102J	EETUQ2E102JJ	200
		30	35	3.32	0.15	EETUQ2E102K	EETUQ2E102KJ	100
		35	30	3.32	0.15	EETUQ2E102L	EETUQ2E102LJ	200
	1200	30	40	3.53	0.15	EETUQ2E122K	EETUQ2E122KJ	100
		35	35	3.53	0.15	EETUQ2E122L	EETUQ2E122LJ	100
	1500	30	50	4.04	0.15	EETUQ2E152K	EETUQ2E152KJ	100
		35	40	4.04	0.15	EETUQ2E152L	EETUQ2E152LJ	100
1800	35	45	4.55	0.15	EETUQ2E182L	EETUQ2E182LJ	100	
315	180	22	25	1.12	0.15	EETUQ2F181H	EETUQ2F181HJ	200
	220	22	30	1.41	0.15	EETUQ2F221H	EETUQ2F221HJ	200
	270	22	30	1.60	0.15	EETUQ2F271H	EETUQ2F271HJ	200
	330	22	40	1.82	0.15	EETUQ2F331H	EETUQ2F331HJ	200
		25	30	1.82	0.15	EETUQ2F331J	EETUQ2F331JJ	200
		30	25	1.82	0.15	EETUQ2F331K	EETUQ2F331KJ	200
	390	22	45	2.01	0.15	EETUQ2F391H	EETUQ2F391HJ	200
		25	35	2.01	0.15	EETUQ2F391J	EETUQ2F391JJ	200
		30	30	2.01	0.15	EETUQ2F391K	EETUQ2F391KJ	200
	470	22	50	2.27	0.15	EETUQ2F471H	EETUQ2F471HJ	200
		25	40	2.27	0.15	EETUQ2F471J	EETUQ2F471JJ	200
		30	30	2.27	0.15	EETUQ2F471K	EETUQ2F471KJ	200
		35	25	2.27	0.15	EETUQ2F471L	EETUQ2F471LJ	200
	560	25	45	2.56	0.15	EETUQ2F561J	EETUQ2F561JJ	200
		30	35	2.56	0.15	EETUQ2F561K	EETUQ2F561KJ	100
		35	30	2.56	0.15	EETUQ2F561L	EETUQ2F561LJ	200
	680	30	40	2.87	0.15	EETUQ2F681K	EETUQ2F681KJ	100
		35	35	2.87	0.15	EETUQ2F681L	EETUQ2F681LJ	100
	820	30	45	3.25	0.15	EETUQ2F821K	EETUQ2F821KJ	100
		35	40	3.25	0.15	EETUQ2F821L	EETUQ2F821LJ	100
1000	30	50	3.63	0.15	EETUQ2F102K	EETUQ2F102KJ	100	
	35	45	3.63	0.15	EETUQ2F102L	EETUQ2F102LJ	100	
350	150	22	25	1.12	0.15	EETUQ2V151H	EETUQ2V151HJ	200
	180	22	30	1.22	0.15	EETUQ2V181H	EETUQ2V181HJ	200
	220	22	35	1.44	0.15	EETUQ2V221H	EETUQ2V221HJ	200
	270	22	40	1.66	0.15	EETUQ2V271H	EETUQ2V271HJ	200
		25	30	1.66	0.15	EETUQ2V271J	EETUQ2V271JJ	200
	330	22	45	1.88	0.15	EETUQ2V331H	EETUQ2V331HJ	200
		25	35	1.88	0.15	EETUQ2V331J	EETUQ2V331JJ	200
	390	22	50	2.06	0.15	EETUQ2V391H	EETUQ2V391HJ	200
		25	40	2.06	0.15	EETUQ2V391J	EETUQ2V391JJ	200
		30	30	2.06	0.15	EETUQ2V391K	EETUQ2V391KJ	200
		35	25	2.06	0.15	EETUQ2V391L	EETUQ2V391LJ	200

Endurance : 85°C 2000h

Terminal Pitch : 10mm

When capacitors of φ35x45L and φ35x50L are mounted on PWB, reinforce them with mounting clamp or adhesives.(Avoid using adhesives including halogenated compositions.)

Design, and specifications are each subject to change without notice. Ask factory for the current technical specifications before purchase and / or use. Should a safety concern arise regarding this product, please be sure to contact us immediately.

■ Standard Products

W.V. (V)	Cap. (±20%) (μF)	Case size		Specification		Part No.	Part No.	Min.Packaging Q'ty (pcs)
		Dia. (mm)	Length (mm)	Ripple current (120Hz) (+85°C) (A)	tan δ (120Hz) (+20°C)	P.V.C Sleeve Terminal Length 4.0mm (Without P.V.C.plate)	PET sleeve Terminal Length 4.0mm (Without P.V.C.plate)	
350	470	25	45	2.40	0.15	EETUQ2V471J	EETUQ2V471JJ	200
		30	35	2.40	0.15	EETUQ2V471K	EETUQ2V471KJ	100
		35	30	2.40	0.15	EETUQ2V471L	EETUQ2V471LJ	100
	560	25	50	2.60	0.15	EETUQ2V561J	EETUQ2V561JJ	200
		30	40	2.60	0.15	EETUQ2V561K	EETUQ2V561KJ	100
		35	30	2.60	0.15	EETUQ2V561L	EETUQ2V561LJ	100
	680	30	45	2.96	0.15	EETUQ2V681K	EETUQ2V681KJ	100
		35	35	2.96	0.15	EETUQ2V681L	EETUQ2V681LJ	100
	820	30	50	3.25	0.15	EETUQ2V821K	EETUQ2V821KJ	100
		35	45	3.25	0.15	EETUQ2V821L	EETUQ2V821LJ	100
1000	35	50	3.54	0.15	EETUQ2V102L	EETUQ2V102LJ	100	
400	120	22	25	1.02	0.15	EETUQ2G121H	EETUQ2G121HJ	200
	150	22	30	1.16	0.15	EETUQ2G151H	EETUQ2G151HJ	200
	180	22	35	1.44	0.15	EETUQ2G181H	EETUQ2G181HJ	200
	220	22	40	1.49	0.15	EETUQ2G221H	EETUQ2G221HJ	200
		25	30	1.49	0.15	EETUQ2G221J	EETUQ2G221JJ	200
	270	22	45	1.67	0.15	EETUQ2G271H	EETUQ2G271HJ	200
		25	35	1.67	0.15	EETUQ2G271J	EETUQ2G271JJ	200
		30	30	1.67	0.15	EETUQ2G271K	EETUQ2G271KJ	100
	330	22	50	1.90	0.15	EETUQ2G331H	EETUQ2G331HJ	200
		25	40	1.90	0.15	EETUQ2G331J	EETUQ2G331JJ	200
		30	30	1.90	0.15	EETUQ2G331K	EETUQ2G331KJ	100
		35	25	1.90	0.15	EETUQ2G331L	EETUQ2G331LJ	100
	390	25	45	2.13	0.15	EETUQ2G391J	EETUQ2G391JJ	200
		30	35	2.13	0.15	EETUQ2G391K	EETUQ2G391KJ	100
		35	30	2.13	0.15	EETUQ2G391L	EETUQ2G391LJ	100
	470	25	50	2.39	0.15	EETUQ2G471J	EETUQ2G471JJ	200
		30	40	2.39	0.15	EETUQ2G471K	EETUQ2G471KJ	100
		35	30	2.39	0.15	EETUQ2G471L	EETUQ2G471LJ	100
	560	30	45	2.69	0.15	EETUQ2G561K	EETUQ2G561KJ	100
		35	35	2.69	0.15	EETUQ2G561L	EETUQ2G561LJ	100
680	30	50	2.96	0.15	EETUQ2G681K	EETUQ2G681KJ	100	
	35	45	2.96	0.15	EETUQ2G681L	EETUQ2G681LJ	100	
820	35	50	3.25	0.15	EETUQ2G821L	EETUQ2G821LJ	100	
450	82	22	25	0.82	0.15	EETUQ2W820H	EETUQ2W820HJ	200
	100	22	25	0.93	0.15	EETUQ2W101H	EETUQ2W101HJ	200
	120	22	30	1.04	0.15	EETUQ2W121H	EETUQ2W121HJ	200
	150	22	35	1.19	0.15	EETUQ2W151H	EETUQ2W151HJ	200
		25	30	1.19	0.15	EETUQ2W151J	EETUQ2W151JJ	200
	180	22	40	1.35	0.15	EETUQ2W181H	EETUQ2W181HJ	200
		25	30	1.35	0.15	EETUQ2W181J	EETUQ2W181JJ	200
	220	22	45	1.55	0.15	EETUQ2W221H	EETUQ2W221HJ	200

Endurance : 85°C 2000h

Terminal Pitch : 10mm

When capacitors of φ35x45L and φ35x50L are mounted on PWB, reinforce them with mounting clamp or adhesives.(Avoid using adhesives including halogenated compositions.)

Design, and specifications are each subject to change without notice. Ask factory for the current technical specifications before purchase and / or use. Should a safety concern arise regarding this product, please be sure to contact us immediately.

■ Standard Products

W.V. (V)	Cap. (±20%) (μF)	Case size		Specification		Part No.	Part No.	Min.Packaging Q'ty (pcs)
		Dia. (mm)	Length (mm)	Ripple current (120Hz) (+85°C) (A)	tan δ (120Hz) (+20°C)	P.V.C Sleeve Terminal Length 4.0mm (Without P.V.C.plate)	PET sleeve Terminal Length 4.0mm (Without P.V.C.plate)	
450	220	25	40	1.55	0.15	EETUQ2W221J	EETUQ2W221JJ	200
		30	30	1.55	0.15	EETUQ2W221K	EETUQ2W221KJ	200
		35	25	1.55	0.15	EETUQ2W221L	EETUQ2W221LJ	200
	270	22	50	1.78	0.15	EETUQ2W271H	EETUQ2W271HJ	200
		25	40	1.78	0.15	EETUQ2W271J	EETUQ2W271JJ	200
		30	30	1.78	0.15	EETUQ2W271K	EETUQ2W271KJ	200
	330	25	50	2.01	0.15	EETUQ2W331J	EETUQ2W331JJ	200
		30	40	2.01	0.15	EETUQ2W331K	EETUQ2W331KJ	100
		35	30	2.01	0.15	EETUQ2W331L	EETUQ2W331LJ	200
	390	30	40	2.24	0.15	EETUQ2W391K	EETUQ2W391KJ	100
		35	35	2.24	0.15	EETUQ2W391L	EETUQ2W391LJ	100
	470	30	45	2.53	0.15	EETUQ2W471K	EETUQ2W471KJ	100
		35	40	2.53	0.15	EETUQ2W471L	EETUQ2W471LJ	100
	560	30	50	2.82	0.15	EETUQ2W561K	EETUQ2W561KJ	100
		35	45	2.82	0.15	EETUQ2W561L	EETUQ2W561LJ	100

Endurance : 85°C 2000h

Terminal Pitch : 10mm

When capacitors of φ35x45L and φ35x50L are mounted on PWB, reinforce them with mounting clamp or adhesives.(Avoid using adhesives including halogenated compositions.)