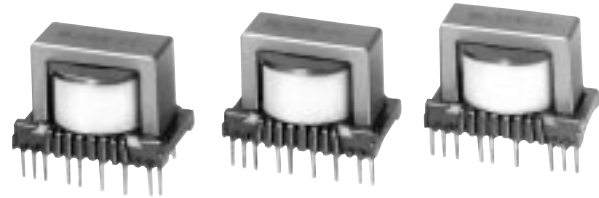


### Switching Transformers

Type: **RM (for Inverter)**

Japan  
Singapore  
UK  
Indonesia



Small & high reliable switching transformer for drive and control of inverter, responded the needs of automatic, high functional condition and energyless of equipment

Applied Safety Std. : Denki Yohin\*, UL, CSA  
Industrial Property : Utility models 1 (pending)

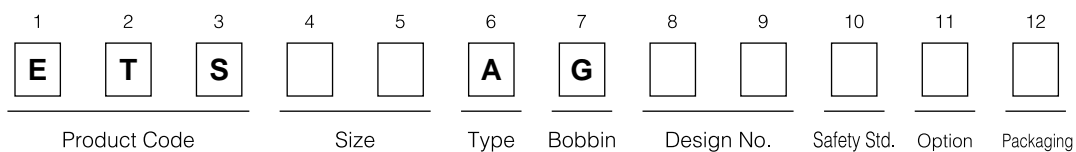
#### ■ Features

- Suitable for pin arrangement for drive circuit
- High coupling by original core & layer winding
- High magnetic flux density & high efficiency by using low loss ferrite core

#### ■ Recommended Applications

- General inverter, Machine tool
- Inverter airconditioner
- Power supplies equipment

#### ■ Explanation of Part Numbers



#### ■ Performance Characteristics

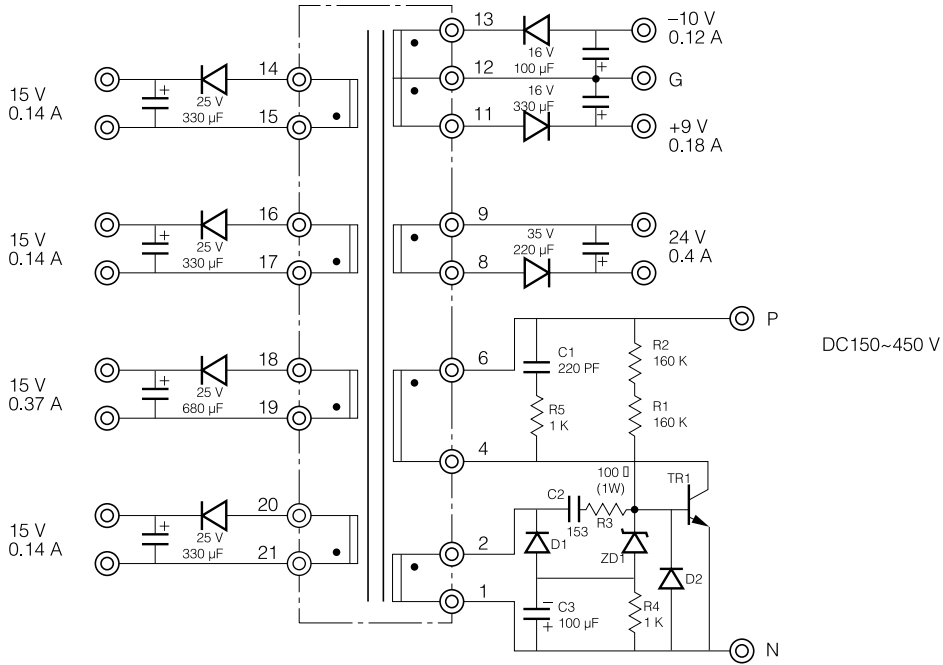
- Applicable Safety Standards and Maximum Output

Characteristics	Safety Standard			Max. Output (W)	
	Denki Yohin*	UL, CSA	IEC 65/950	Ringing Choke type (f=20 kHz)	Flyback Type (f=100 kHz)
Size					
28RM-21	○	○	○	15	30
35RM-36	○	○	○	30	70

\* Denki Yohin stands for the safety regulations under The Electrical Appliance and Material Control Law.

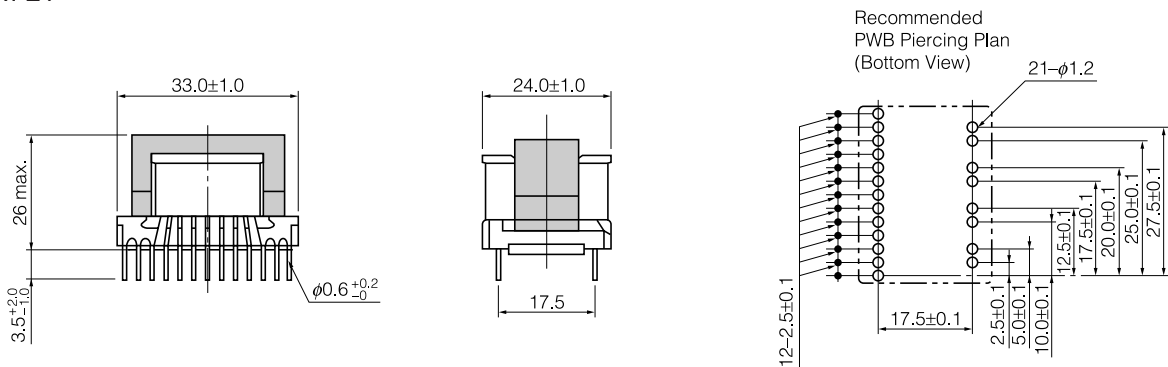
Note: Values in the above table are for reference and will vary depending on ambient temperature, number of output circuits, switching frequency, input voltage range, output range and others.

## Example of Applications



## Dimensions in mm (not to scale)

### 28RM-21



### 35RM-36

