

Model 45
Model 58
High Power Fixed Coaxial Attenuators
Convection Cooled

dc to 1.5 GHz
dc to 5.0 GHz
250 Watts



Features

- /// Quality connectors with special high temperature support beads.
- /// Designed to meet environmental requirements of MIL-A-3933.

Specifications

NOMINAL IMPEDANCE: 50 Ω

FREQUENCY RANGE: Model 45: dc to 1.5 GHz
Model 58: dc to 5.0 GHz

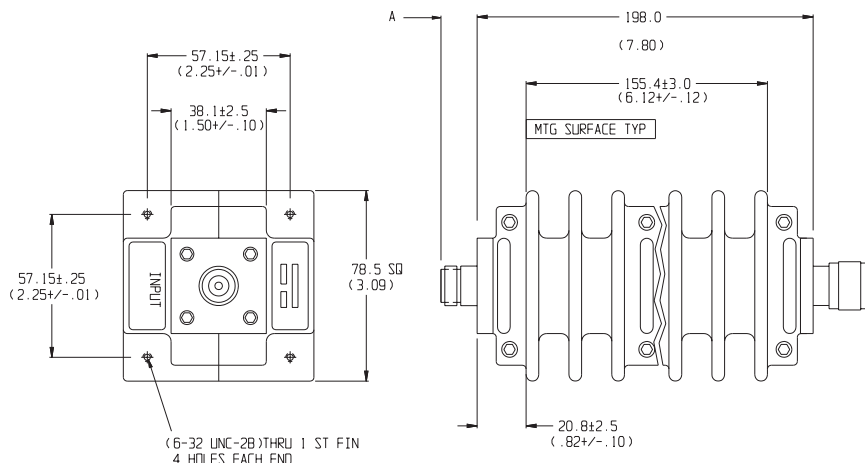
MAXIMUM DEVIATION OVER FREQUENCY:			
Nominal ATTN (dB)	Deviation (dB)		
	45	58	58 LIM
3*, 6	± 0.50	± 1.50	---
10, 20	± 0.50	± 1.50	± 2.00
30, 40	± 0.50	± 1.75	± 3.00

MAXIMUM SWR:		
Frequency (GHz)	Input	Output
dc - 2 (1.5*)	1.10	1.20 (1.10*)
2 - 5	1.15	1.25

* Model 45 only!

3rd ORDER INTERMODULATION (58-XX-XX-LIM ONLY): Reflected Levels (IM3), -100 & Through Levels (IM3), -110 dBc with two input signals @ 869 MHz and 891 MHz with average carrier power levels of +43 dBm each.

PHYSICAL DIMENSIONS:



Connector	DIM A
N Male	22.9 (0.90)
N Female	15.0 (0.59)

NOTE: All dimensions are given in mm (inches) and are maximum, unless otherwise specified.

POWER RATING (mounted horizontally with fins vertical): 250 watts average (unidirectional) to 55°C ambient temperature, derated linearly to 10% @ 125°C. 10 kilowatt peak (5 μsec pulse width; 1.25% duty cycle). Maximum power rating into output port is 50 watts average. Note: Model 45-3-XX is rated for 500 Watts average (unidirectional) into the input and 250 Watts average (maximum) into the output port.

POWER COEFFICIENT: <0.0001 dB/dB/watt

TEMPERATURE COEFFICIENT: <0.0004 dB/dB/°C

TEMPERATURE RANGE: -55°C to 125°C

CALIBRATION: Insertion loss test data supplied at 0.05, 1, 2, 3, 4 and 5 GHz (Model 45 at 0.05 and 1.5 GHz). Other test data can be provided at additional cost.

CONNECTORS: Type N connectors per MIL-STD-348 interface dimensions - mate nondestructively with MIL-C-39012 connectors.

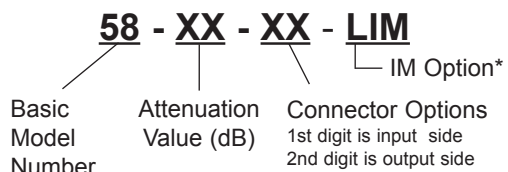
Connector Options	Type/Description
3	Type N, Female
4	Type N, Male

CONSTRUCTION: Aluminum alloy body, stainless steel connectors; gold plated beryllium copper contacts.

WEIGHT: 1,530 g (6 lbs, 3 oz.) maximum

MODEL NUMBER DESCRIPTION:

Example:



*Add -LIM for Low Intermodulation option. Option only available with Model 58 in 10, 20, 30, 40 dB and is not available through Express.