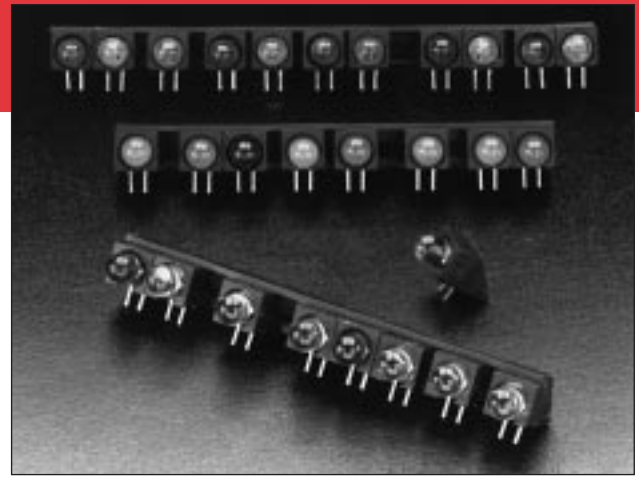


# RA Series T1 3/4 Right Angle LED Bar\*

\*Patented

## Special Features

- Customized to your specifications without tooling charges
  - Variable LED spacing, minimum .280" maximum bar length 6"
  - Variable color sequence
- Available with 2 to 22 T1 3/4 LEDs in one convenient assembly
- Bar provides consistent LED alignment for multiple LED mounting
- Available with a variety of LEDs
- Wave solderable and chemically cleanable
- Housing and bar material UL 94V-0 rated

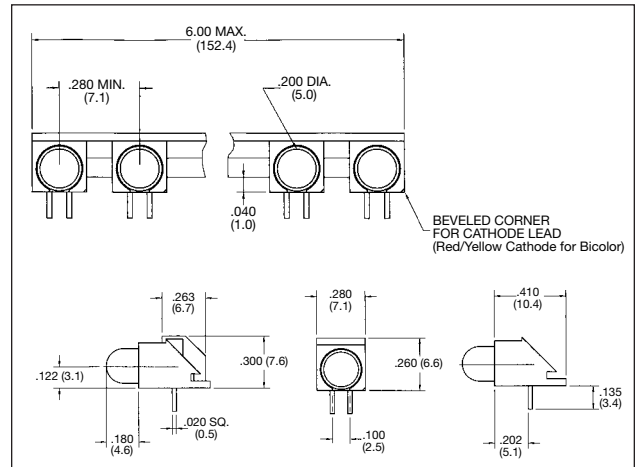


5mm PC Board Mount LEDs

## Electrical and Optical Characteristics (T<sub>A</sub>=25°C)

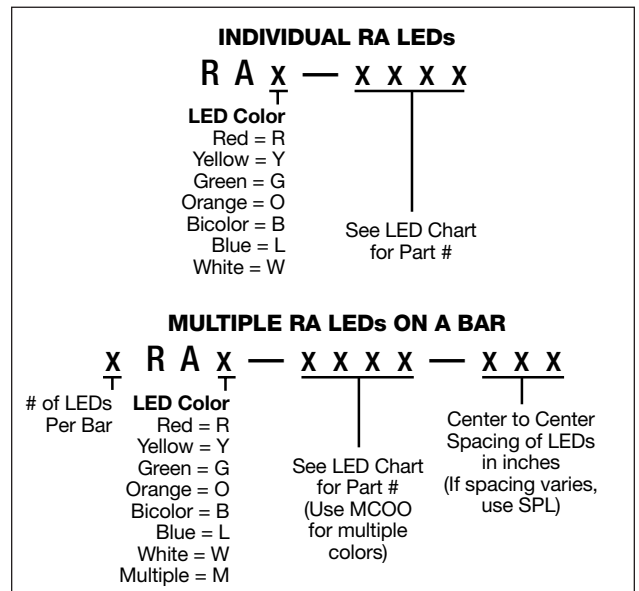
LED Part#	Color	Luminous Intensity (mcd) Typ. @ I <sub>F</sub> (mA)		V <sub>F</sub> Typ. @ I <sub>F</sub> (mA)		Viewing Angle 2θ 1/2	Peak Wavelength (mm)	More LED Data Page#
<b>HIGH EFFICIENCY</b>								
3008	Yellow	7.0	10	1.9	10	60°	635	24
3019	Red	14.0	10	2.1	10	60°	565	24
3020	Green	8.0	10	2.0	10	60°	583	24
3022	Orange	7.0	10	1.9	10	60°	600	24
<b>LOW CURRENT</b>								
3015	Red	2.3	2	1.8	2	50°	635	25
3016	Yellow	2.1	2	1.9	2	50°	583	25
3017	Green	2.3	2	1.8	2	50°	565	25
<b>5V INTERNAL RESISTOR</b>								
3040	Red	40.0	12	5.0	12	60°	625	26
3042	Yellow	16.0	12	5.0	12	60°	590	26
3043	Green	16.0	12	5.0	12	60°	565	26
<b>BLUE</b>								
3044	Blue	40.0	20	4.5	20	60°	430	30
3045	Blue	90.0	20	4.5	20	16°	430	30
<b>BICOLOR</b>								
9001	Red	25.0	20	2.0	20	60°	625	27
	Green	20.0	20	2.2	20		565	
9002	Yellow	10.0	20	2.1	20	60°	590	27
	Green	20.0	20	2.2	20		565	
<b>ULTRA BRIGHT</b>								
3032	Red	125.0	20	1.9	20	24°	635	24
3033	Yellow	140.0	20	2.1	20	24°	583	24
3034	Green	140.0	20	2.2	20	24°	565	24
<b>SUPER ULTRA BRIGHT</b>								
3036	Red	2500.0	20	1.85	20	30°	660	29
3046	Red	900.0	20	1.9	20	30°	635	29
3047	Green	1750.0	20	3.5	20	30°	524	29
3048	Amber	1300.00	20	2.02	20	30°	592	29
<b>WHITE</b>								
3049	White	800.0	20	3.5	20	30°	475	30

## Package Dimensions



All Dimensions are in inches (mm)

## How To Order



WILBRECHT  
ELECTRONICS, INC.

LEDCO  
DIVISION