

# L60/L61 T1 3/4 Rear Mount LED Indicator

## Special Features

- Rear mounting, friction-fit—no mounting hardware required
- Simplified one-piece construction
- Optional internal resistor—can be customized for AC applications
- Sealed against moisture and dust—water resistant
- Available for panel thickness .062", .125" and .187"
- Custom body lengths available without tooling charges

## Specifications

- Mounting hole: .250" (6.35)
- Termination: 22 AWG 6" gray (anode) and black (cathode) leads stripped to 1/4" standard; Optional bi-pin available
- Body material: Black butyrate plastic
- Custom lead lengths and colors available

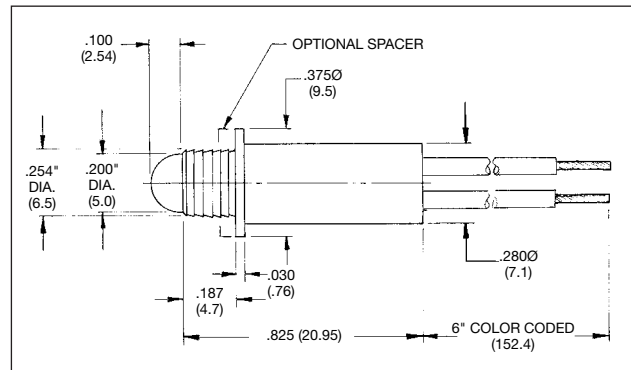
## Electrical and Optical Characteristics ( $T_A=25^\circ\text{C}$ )

LED Part#	Color	Luminous Intensity (mcd) Typ.@ $I_F$ (mA)	$V_F$ Typ.@ $I_F$ (mA)	Viewing Angle $2\theta \pm 1/2$	Peak Wavelength (nm)	More LED Data Page#		
<b>HIGH EFFICIENCY</b>								
3008	Red	7.0	10	1.9	10	60°	635	24
3019	Green	14.0	10	2.1	10	60°	565	24
3020	Yellow	8.0	10	2.0	10	60°	583	24
3022	Orange	7.0	10	1.9	10	60°	600	24
<b>LOW CURRENT</b>								
3015	Red	2.3	2	1.8	2	50°	635	25
3016	Yellow	2.1	2	1.9	2	50°	583	25
3017	Green	2.3	2	1.8	2	50°	565	25
<b>BLUE</b>								
3044	Blue	40.0	20	4.5	20	60°	430	30
3045	Blue	90.0	20	4.5	20	16°	430	30
<b>BICOLOR</b>								
9001	Red	25.0	20	2.0	20	60°	625	27
	Green	20.0	20	2.2	20		565	
9002	Yellow	10.0	20	2.1	20	60°	590	27
	Green	20.0	20	2.2	20		565	
<b>ULTRA BRIGHT</b>								
3032	Red	125.0	20	1.9	20	24°	635	24
3033	Yellow	140.0	20	2.1	20	24°	583	24
3034	Green	140.0	20	2.2	20	24°	565	24
<b>SUPER ULTRA BRIGHT</b>								
3036	Red	2500.0	20	1.85	20	30°	660	29
3046	Red	900.0	20	1.9	20	30°	635	29
3047	Green	1750.0	20	3.5	20	30°	524	29
3048	Amber	1300.00	20	2.02	20	30°	592	29
<b>WHITE</b>								
3049	White	800.0	20	3.5	20	30°	475	30



5mm Panel Mount LED Assemblies

## Package Dimensions



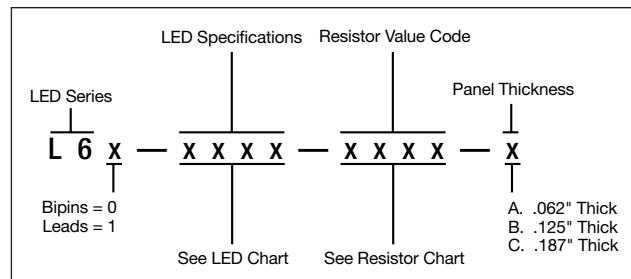
All Dimensions are in inches (mm)

## Resistor Chart

OPERATING SPECIFICATIONS			
Resistor Value Code	Voltage	Current (mA)	Internal Resistor (Ohms)
0000	2	10 or 20	None
0001	2	2	None
0330	5	10	330
0390	6	10	390
0820	10	10	820
1000	12	10	1000
1300	15	10	1300
5100	28	5	5100
2700	28	10	2700
0150	5	20	150
0200	6	20	200
0430	10	20	430
0510	12	20	510
0680	15	20	680

Note: Other resistor values for different current requirements are available on request.

## How To Order



**WILBRECHT  
ELECTRONICS, INC.**

1400 Energy Park Drive, Suite 18 • St. Paul, MN 55108-5248 • (651) 659-0919 • FAX (651) 659-9204 • www.wilbrecht.com

**LED CO  
DIVISION**