

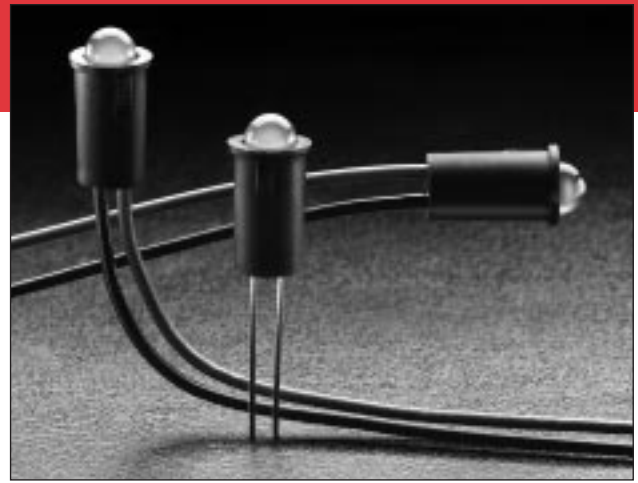
# L50/L51 T1 3/4 Front Mount LED Indicator

## Special Features

- Front mounting, snap-in—no mounting hardware required
- Simplified one-piece construction
- Fits panel thickness from .031" (.787) to .062" (1.574)

## Specifications

- Mounting hole: .250" (6.35)
- Termination: 22 AWG 6" gray (anode) and black (cathode) leads stripped to 1/4" standard; optional bi-pin available
- Custom lead lengths and colors available
- Body material: Black PP

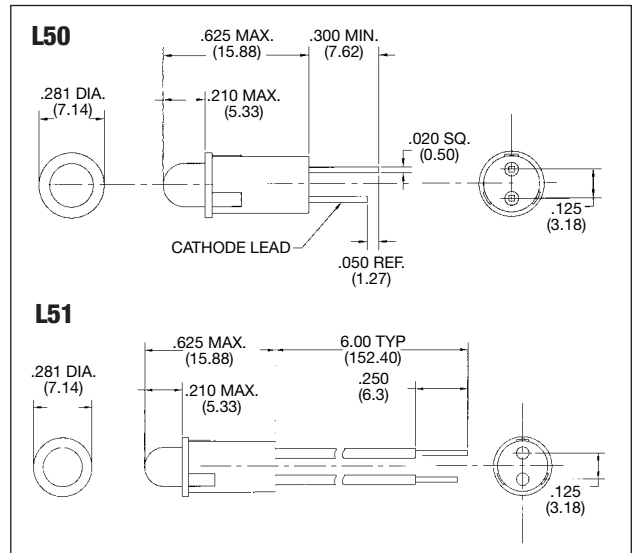


5mm Panel Mount LED Assemblies

## Electrical and Optical Characteristics (T<sub>A</sub>=25°C)

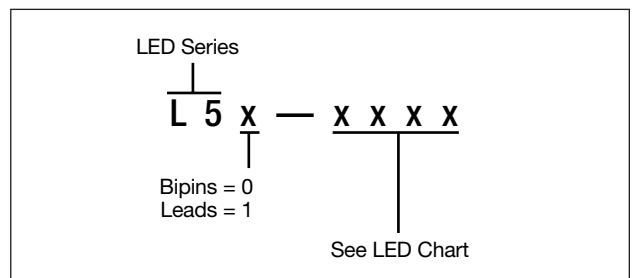
LED Part#	Color	Luminous Intensity (mcd) Typ.@I <sub>F</sub> (mA)		V <sub>F</sub> Typ.@I <sub>F</sub> (mA)		Viewing Angle 2θ 1/2	Peak Wavelength (nm)	More LED Data Page#
<b>HIGH EFFICIENCY</b>								
9111	Red	5.0	10	2.0	10	120°	625	24
9112	Green	5.0	10	2.2	10	120°	565	24
9113	Yellow	8.0	10	2.1	10	120°	590	24
9114	Orange	8.0	10	2.0	10	120°	625	24
<b>LOW CURRENT</b>								
9121	Red	2.5	2	1.7	2	60°	625	25
9122	Yellow	1.6	2	1.9	2	60°	590	25
9123	Green	1.6	2	1.8	2	60°	565	25
<b>5V INTERNAL RESISTOR</b>								
9124	Red	16.0	12	5.0	12	60°	625	26
9125	Yellow	16.0	12	5.0	12	60°	565	26
9126	Green	16.0	12	5.0	12	60°	590	26
<b>BICOLOR</b>								
9127	Red	25.0	20	2.0	20	60°	625	27
	Green	20.0	20	2.2	20		565	
9128	Yellow	10.0	20	2.1	20	60°	590	27
	Green	20.0	20	2.2	20		565	
<b>ULTRA BRIGHT</b>								
9129	Red	80.0	10	2.0	10	30°	625	24
9130	Green	50.0	10	2.2	10	30°	565	24
9131	Yellow	80.0	10	2.1	10	30°	590	24
<b>SUPER ULTRA BRIGHT</b>								
9132	Red	1500.0	20	1.85	20	30°	660	29
9133	Green	250.0	20	2.2	20	30°	565	29

## Package Dimensions



All Dimensions are in inches (mm)

## How To Order



**WILBRECHT  
ELECTRONICS, INC.**

**LED CO  
DIVISION**