

L40/L41 T1 Rear Mount LED Indicator

Special Features

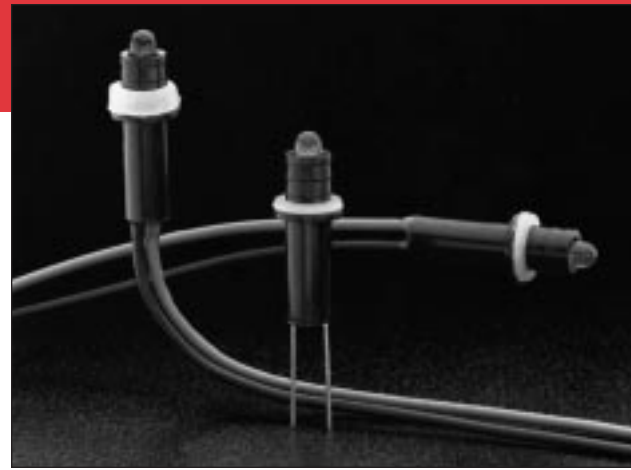
- Rear mounting, friction-fit—no mounting hardware required
- Simplified one-piece construction
- Optional internal resistor—can be customized for AC applications
- Sealed against moisture and dust—water resistant
- Available for panel thickness .060", .125", .187" and .220"
- Custom body lengths available without tooling charges

Specifications

- Mounting Hole: .187" (4.75)
- Termination: 22 AWG 6" gray (anode) and black (cathode) leads stripped to 1/4" standard; optional bi-pin available
- Custom lead lengths and colors available
- Body Material: Black butyrate plastic

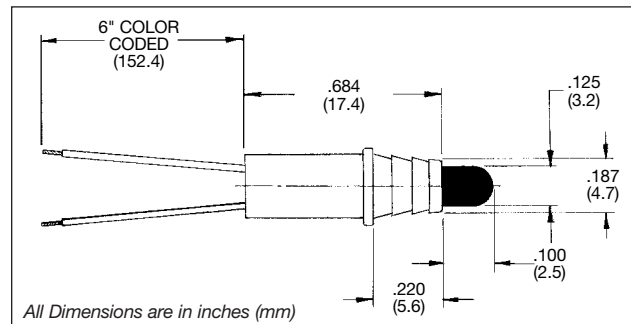
Electrical and Optical Characteristics ($T_A=25^\circ\text{C}$)

LED Part#	Color	Luminous Intensity (mcd) Typ.@I _F (mA)	V _F Typ.@I _F (mA)	Viewing Angle 2 θ $\frac{\text{mm}}$	Peak Wavelength (nm)	More LED Data Page#		
HIGH EFFICIENCY								
1300	Yellow	6.0	10	2.0	10	60°	583	21
1301	Red	5.5	10	1.9	10	60°	635	21
1302	Green	5.0	10	2.1	10	60°	565	21
1313	Orange	5.5	10	1.9	10	60°	600	21
LOW CURRENT								
1303	Red	2.1	2	1.8	2	50°	635	22
1304	Yellow	1.6	2	1.9	2	50°	583	22
1305	Green	2.1	2	1.8	2	50°	565	22
5V INTERNAL RESISTOR								
1307	Red	8.0	10	5.0	10	60°	635	23
1308	Yellow	8.0	10	5.0	10	60°	583	23
1309	Green	8.0	10	5.0	10	60°	565	23
BLUE								
8310	Blue	25.0	20	4.5	20	60°	430	30
8311	Blue	55.0	20	4.5	20	20°	430	30
BICOLOR								
8901	Red	20.0	20	2.0	20	60°	625	27
	Green	20.0	20	2.2	20		565	
8903	Yellow	10.0	20	2.1	20	60°	590	27
	Green	20.0	20	2.2	20		565	
ULTRA BRIGHT								
1310	Red	45.0	20	1.9	20	45°	635	21
1311	Yellow	45.0	20	2.1	20	45°	583	21
1312	Green	45.0	20	2.2	20	45°	565	21
1315	Red	45.0	20	1.8	20	60°	645	21
SUPER ULTRA BRIGHT								
8306	Green	200.0	20	2.2	20	50°	565	29
8312	Yellow	700.0	20	2.0	20	50°	595	29
8313	Red	800.0	20	1.85	20	50°	660	29



3mm Panel Mount LED Assemblies

Package Dimensions

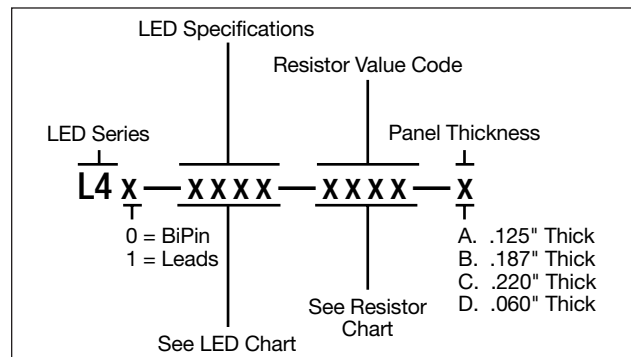


Resistor Chart

OPERATING SPECIFICATIONS			
Resistor Value Code	Voltage	Current (mA)	Internal Resistor (Ohms)
0000	2	10 or 20	None
0001	2	2	None
0330	5	10	330
0390	6	10	390
0820	10	10	820
1000	12	10	1000
1300	15	10	1300
5100	28	5	5100
2700	28	10	*
0150	5	20	150
0200	6	20	200
0430	10	20	430
0510	12	20	510
0680	15	20	680

Note: Other resistor values for different current requirements are available on request. *Externally mounted to one lead due to physical size of resistor.

How To Order



WILBRECHT
ELECTRONICS, INC.

1400 Energy Park Drive, Suite 18 • St. Paul, MN 55108-5248 • (651) 659-0919 • FAX (651) 659-9204 • www.wilbrecht.com

LED
DIVISION