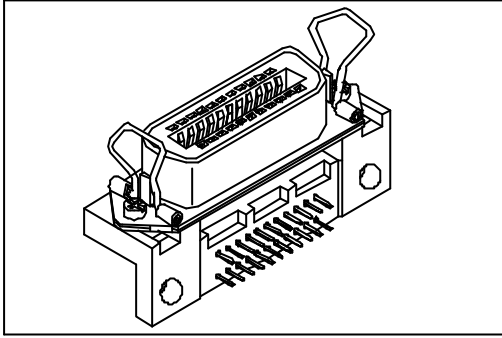


5973 Series

Centronic Connector Right Angle Type



Material:

Housing: PBT, UL94V-0 Rated.

Contacts: Phosphor Bronze.

Plating: Selective gold plated on contact area nickel.

Shell: Cold Roller Steel.

Electrical Characteristics:

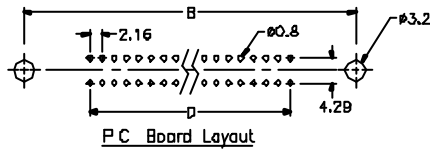
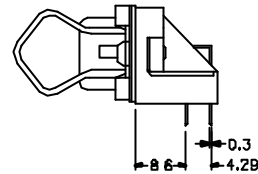
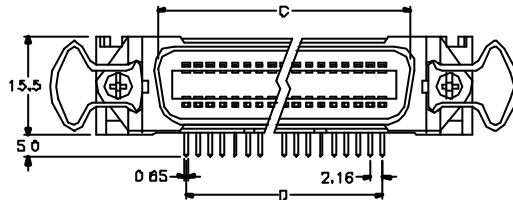
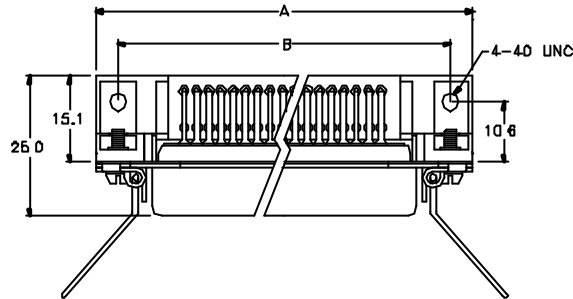
Current Rating: 1 AMP

Dielectric Withstanding Voltage: AC 1000V For 1 minute.

Insulator Resistance: 1000M Ω min. at DC 500V.

Contact Resistance: 30m Ω max

Operating Temperature: -55°C ~ +105°C.



| Position | A \pm 0.13 | B \pm 0.1 | C \pm 0.13 | D \pm 0.13 |
|----------|--------------|-------------|--------------|--------------|
| 14 | 43.7 | 35.99 | 25.2 | 12.96 |
| 24 | 54.5 | 46.79 | 36.0 | 23.76 |
| 36 | 67.6 | 59.74 | 48.9 | 36.72 |
| 50 | 82.8 | 74.85 | 64.0 | 51.84 |

Ordering information

| | | |
|--------|------------|--|
| 5973- | 40 | 500 |
| Series | 40: Female | 140: 14 Pin 240: 24 Pin 360: 36 Pin 500: 50 Pin |