

ATTENUATORS

SMA

up to 4 GHz
100 Watts



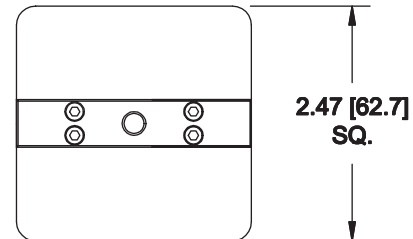
MODELS: XB100WR-XX, XB100WR-XXF, XB100WR-XXM

SPECIFICATIONS:

Electrical:

Frequency Range	DC - 4.0 GHz	
Standard Freq. Values	1.5, 2.5 & 4 GHz	
Standard dB Values*	3, 6, 10, 20, 30 & 40 dB	
Attenuation Accuracy	DC - 1.5 GHz	3 - 4 GHz
3 & 6 dB	±0.30 dB	±0.50 dB
10 & 20 dB	±0.50 dB	±0.75 dB
30 & 40 dB	±1.00 dB	±1.50 dB
VSWR (Max.)	1.20:1	1.35:1
Input Power	100 Watts Avg.	
	Derated Linearly to 20 Watts @ +125°C.	
Peak Power	5 kW Max.	
	(5uSec Pulse, .05% Duty Cycle)	
Impedance	50 Ohms	
Operating Temp Range	-54°C to +125°C	

REDUCED SIZE



END VIEW
TYPICAL

Mechanical:

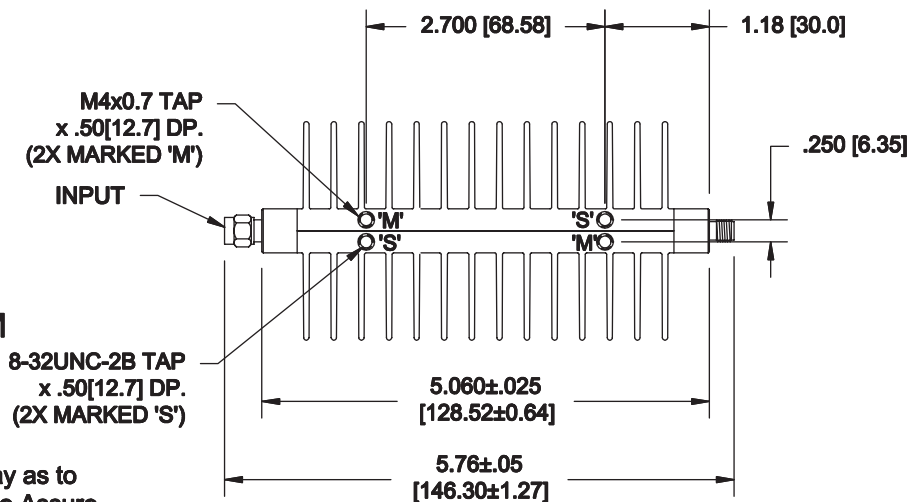
SMA Connectors	Passivated Stainless Steel
	Mates with MIL-STD-348
Conductors	Gold Plated Beryllium Copper or Brass
Housing	Anodized Aluminum

Note: Units are Unidirectional, Therefore Input Connector MUST be specified & will be Indicated on Unit

Model Number: **XB100WR-XX**
Male/Female Connectors
Length: 5.76 ±0.05 [146.30±1.27]
Pictured

Model Number: **XB100WR-XXF**
Female/Female Connectors
Length: 5.62 ±0.05 [142.75 ±1.27]

Model Number: **XB100WR-XXM**
Male/Male Connectors
Length: 5.93 ±0.05 [150.62 ±1.27]



Units must be Mounted in such a way as to Allow for Free Air Flow Around fins to Assure Performance

HOW TO ORDER:

Model Number: **XB100WR-XXY**

Freq. Range
1 = DC - 1.5 GHz
2 = DC - 2.5 GHz
4 = DC - 4 GHz

Connector Configuration
F = Female
M = Male
dB Value

Ordering Examples:

Model Number: **1B100WR-6**
DC - 1.5 GHz, 6dB, SMA Male/Fem

Model Number: **4B100WR-30M**
DC - 4 GHz, 30dB, SMA Male/Male

Note: Dimensions in Brackets are Expressed in Millimeters and are for Reference Only.
*Other dB values are also available. Units that operate over a more specific wave band and/or offer very low return loss (VSWR) or offer higher peak power are available.

XB100WR-ATT; REV -