

# Switched-mode power supply control circuit

# NE/SE5560

## DESCRIPTION

The NE/SE5560 is a control circuit for use in switched-mode power supplies. This single monolithic chip incorporates all the control and housekeeping (protection) functions required in switched-mode power supplies, including an internal temperature-compensated reference source, internal Zener references, sawtooth generator, pulse-width modulator, output stage and various protection circuits.

## FEATURES

- Stabilized power supply
- Temperature-compensated reference source
- Sawtooth generator
- Pulse-width modulator
- Remote on/off switching
- Current limiting
- Low supply voltage protection
- Loop fault protection
- Demagnetization/overvoltage protection
- Maximum duty cycle clamp
- Feed-forward control
- External synchronization

## PIN CONFIGURATION

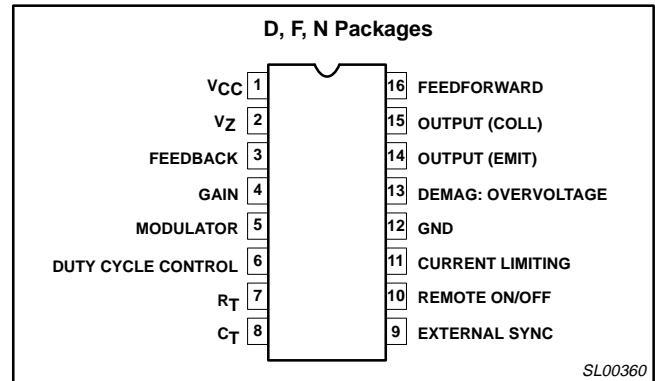


Figure 1. Pin Configuration

## ORDERING INFORMATION

DESCRIPTION	TEMPERATURE RANGE	ORDER CODE	DWG #
16-Pin Plastic Dual In-Line Package (DIP)	0 to 70°C	NE5560N	SOT38-4
16-Pin Plastic Small Outline Large (SOL) Package	0°C to 70°C	NE5560D	SOT162-1
16-Pin Plastic Dual In-Line Package (DIP)	-55°C to 125°C	SE5560N	SOT38-4
16-Pin Cerdip Dual In-Line Package (CERDIP)	-55°C to 125°C	SE5560F	0582B

## ABSOLUTE MAXIMUM RATINGS

SYMBOL	PARAMETER	RATING	UNIT
$V_{CC}$	Supply <sup>1</sup>		
	Voltage-forced mode	+18	V
$I_{CC}$	Current-fed mode	30	mA
$I_{OUT}$	Output transistor (at 20-30V max)		
	Output current	40	mA
	Collector voltage (Pin 15)	$V_{CC}+1.4V$	V
	Max. emitter voltage (Pin 14)	+5	V
$T_A$	Operating ambient temperature range		
	SE5560	-55 to +125	°C
	NE5560	0 to 70	°C
$T_{STG}$	Storage temperature range	-65 to +150	°C

## NOTES:

1. Does not include current for timing resistors or capacitors.

# Switched-mode power supply control circuit

# NE/SE5560

## BLOCK DIAGRAM

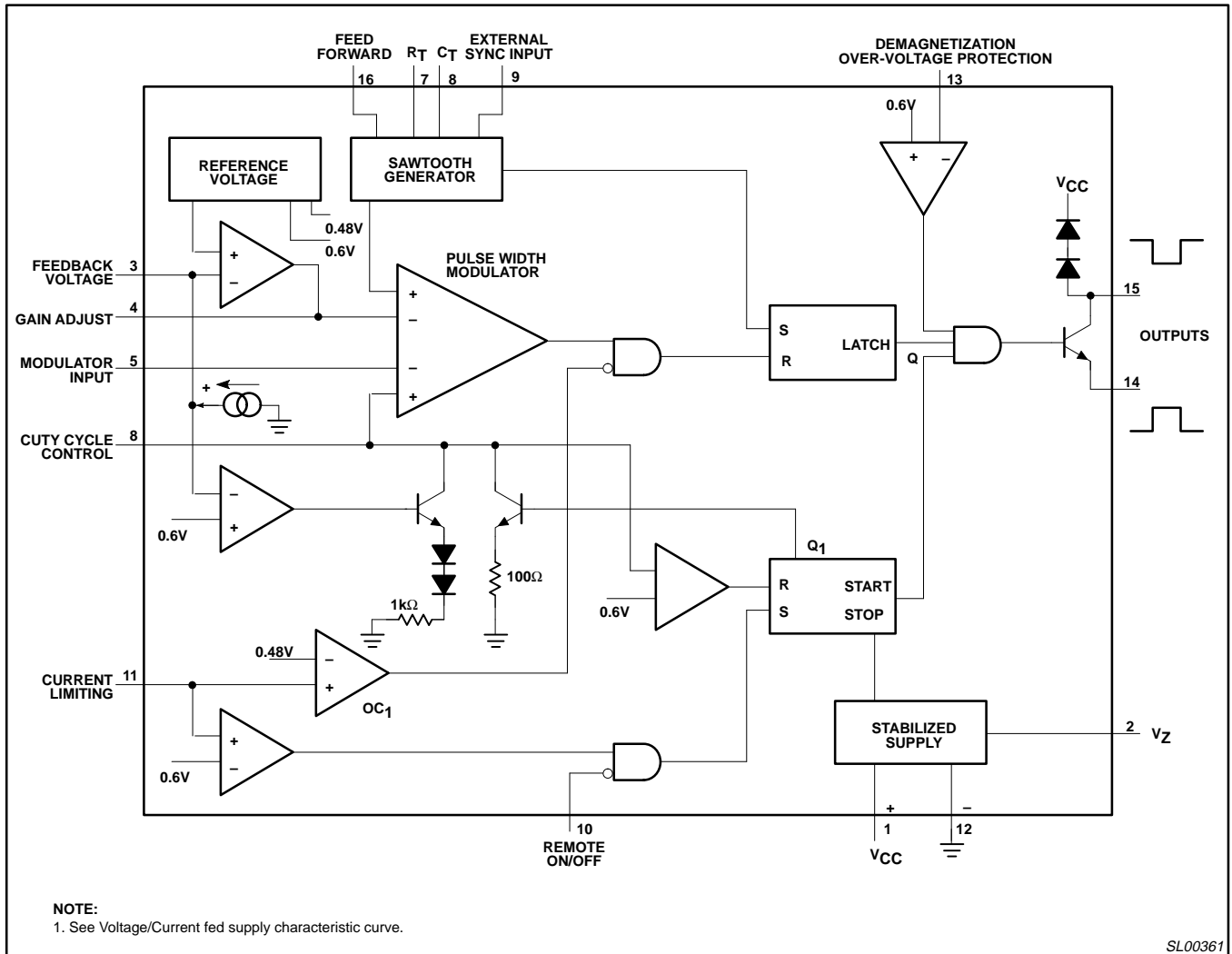


Figure 2. Block Diagram

## Switched-mode power supply control circuit

## NE/SE5560

**DC ELECTRICAL CHARACTERISTICS**T<sub>A</sub>=25°C, V<sub>CC</sub>=12V, unless otherwise specified.

SYMBOL	PARAMETER	TEST CONDITIONS	SE5560			NE5560			UNIT
			Min	Typ	Max	Min	Typ	Max	
<b>Reference sections</b>									
V <sub>REF</sub>	Internal reference voltage	25°C	3.69	3.72	3.81	3.57	3.72	3.95	V
		Over temperature	3.65		3.85	3.53		4.00	V
	Temperature coefficient of V <sub>REF</sub>			-100			-100		ppm/°C
V <sub>Z</sub>	Internal Zener reference Temperature coefficient of V <sub>Z</sub>	I <sub>L</sub> =-7mA	7.8	8.4	8.8	7.8	8.4	8.8	V
				200		200			ppm/°C
<b>Oscillator section</b>									
	Frequency range	Over temperature	50		100k	50		100k	Hz
	Initial accuracy oscillator	R=5kΩ		5			5		%
	Duty cycle range	f <sub>O</sub> =20kHz	0		98	0		98	%
<b>Modulator</b>									
	Modulation input current	Voltage at Pin 5=2V Over temperature		0.2	20		0.2	20	μA
<b>Housekeeping function</b>									
I <sub>IN'</sub>	Pin 6, input current	At 2V Over temperature		0.2	20		0.2	20	μA
	Pin 6, duty cycle limit control	For 50% max duty cycle 15kHz to 50kHz/41% of V <sub>Z</sub>	40	50	60	40	50	60	% of duty cycle
	Pin 1, low supply voltage protection thresholds		8	9.0	10.5	8	9.0	10.5	V
	Pin 3, feedback loop protection trip threshold		400	600	720	400	600	720	mV
	Pin 3, pull-up current	At 2V	-7	-15	-35	-7	-15	-35	μA
	Pin 13, demagnetization/over-voltage protection trip on threshold	Over temperature	470	600	720	470	600	720	mV
I <sub>IN</sub>	Pin 13, input current	At 0.25V 25°C Over temperature		-0.6	-10		-0.6	-10	μA
	Pin 16, feed-forward duty cycle control	Voltage at Pin 16=2V <sub>Z</sub>	30	40	50	30	40	50	% original duty cycle
	*Pin 16, feed-forward input current	At 16V, V <sub>CC</sub> =18V 25°C Over temperature		0.2	5		0.2	5	μA
					10			10	μA
<b>External synchronization</b>									
	Pin 9 Off		0		0.8	0		0.8	V
	On		2		V <sub>Z</sub>	2		V <sub>Z</sub>	V
	Sink current	Voltage at Pin 9=0V, 25°C Over temperature		-65	-100		-65	-125	μA
					-125			-125	μA
<b>Remote</b>									
	Pin 10 Off		0		0.8	0		0.8	V
	On		2		V <sub>Z</sub>	2		V <sub>Z</sub>	V
	Sink current	At 0V 25°C Over temperature		-85	-100		-85	-125	μA
					-125			-125	μA

## Switched-mode power supply control circuit

## NE/SE5560

## DC ELECTRICAL CHARACTERISTICS (Continued)

SYMBOL	PARAMETER	TEST CONDITIONS	SE5560			NE5560			UNIT
			Min	Typ	Max	Min	Typ	Max	
<b>Current limiting</b>									
$I_{IN}$	Pin 11 Input current	Voltage at Pin 11=250mV 25°C		-2	-20		-2	-20	$\mu$ A
	Single pulse inhibit delay	Over temperature Inhibit delay time for 20% overdrive at 40mA $I_{OUT}$		0.7	0.8		0.7	0.8	$\mu$ s
OC2	Trip Levels: Shut down, slow start, low level		0.500	0.600	0.700	0.500	0.600	0.700	V
OC1	Current limit, high level		0.400	0.480	0.560	0.400	0.560	0.500	V
$\Delta$ OC	Low Level in terms of high level, OC <sub>2</sub>		0.750	0.800	0.850	0.750	0.800	0.850	V
<b>Error amplifier</b>									
$V_{OH}$	Output voltage swing		6.2		9.5	6.2		9.5	V
$V_{OL}$	Output voltage swing				0.7			0.7	V
	Open-loop gain		54	60		54	60		dB
$R_F$	Feedback resistor		10k			10k			$\Omega$
BW	Small-signal bandwidth			3			3		MHz
<b>Output stage</b>									
	$V_{CE(SAT)}$ $I_C=40$ mA				0.5			0.5	V
	Output current (Pin 15)		40			40			mA
	Max. emitter voltage (Pin 14)		5	6		5	6		V
<b>Supply voltage/current<sup>1</sup></b>									
$I_{CC}$	Supply current	$I_Z=0$ , voltage-forced, $V_{CC}=12$ V, 25°C Over temp.			10 15			10 15	mA mA
$V_{CC}$	Supply voltage	$I_{CC}=10$ mA current-fed	20		23	19		24	V
$V_{CC}$	Supply voltage	$I_{CC}=30$ mA current-fed	20		30	20		30	V

## NOTES:

- Does not include current for timing resistors or capacitors.

# Switched-mode power supply control circuit

NE/SE5560

## MAXIMUM PIN VOLTAGES

NE5560		
Pin No	Function	Maximum Voltage
1	V <sub>CC</sub>	See Note 1
2	V <sub>Z</sub>	Do not force (8.4V)
3	Feedback	V <sub>Z</sub>
4	Gain	
5	Modulator	V <sub>Z</sub>
6	Duty Cycle Control	V <sub>Z</sub>
7	R <sub>T</sub>	Current force mode
8	C <sub>T</sub>	
9	External Sync	V <sub>Z</sub>
10	Remote On/Off	V <sub>Z</sub>
11	Current Limiting	V <sub>CC</sub>
12	GND	GND
13	Demagnetization/Overvoltage	V <sub>CC</sub>
14	Output (Emit)	V <sub>Z</sub>
15	Output (Collector)	V <sub>CC</sub> +2V <sub>BE</sub>
16	Feed-forward	V <sub>CC</sub>

**NOTES:**

1. When voltage-forced, maximum is 18V; when current-fed, maximum is 30mA. See voltage-/current-fed supply characteristic curve.

## TYPICAL PERFORMANCE CHARACTERISTICS

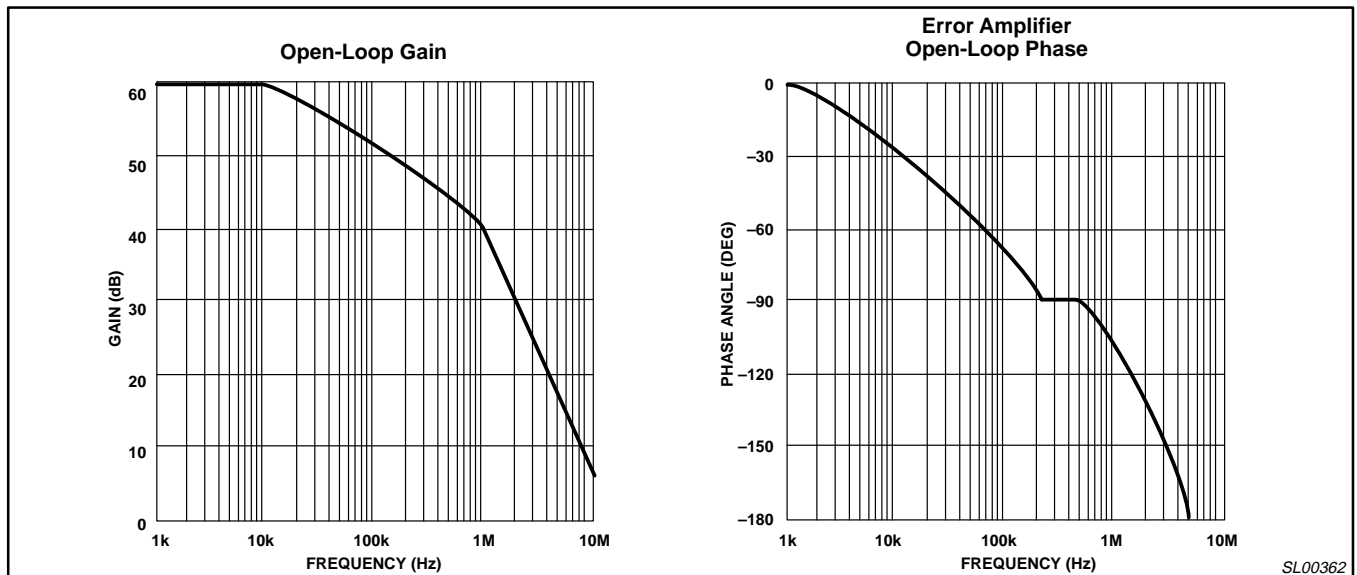


Figure 3. Typical Performance Characteristics

# Switched-mode power supply control circuit

NE/SE5560

## TYPICAL PERFORMANCE CHARACTERISTICS (Continued)

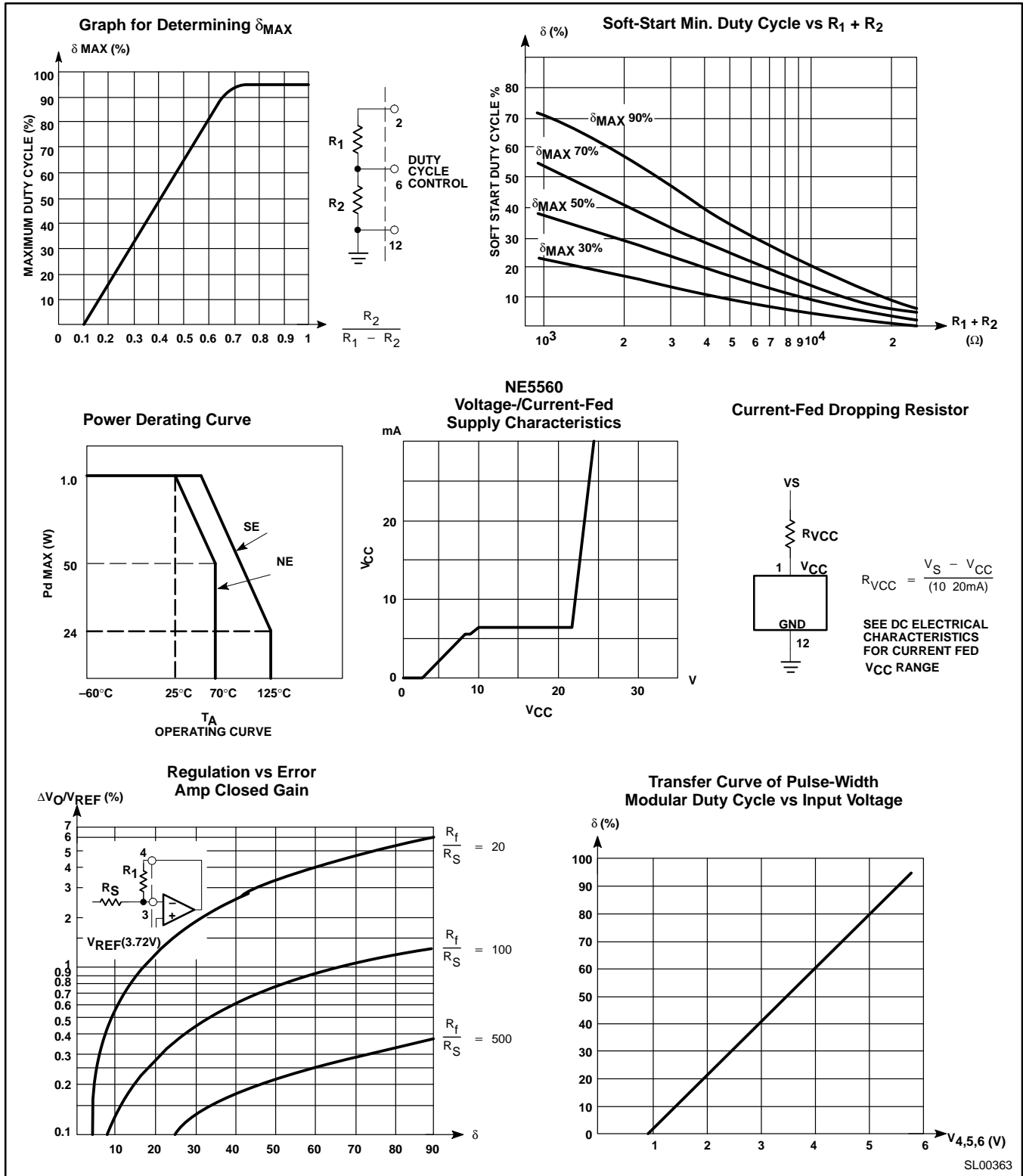


Figure 4. Typical Performance Characteristics

## Switched-mode power supply control circuit

NE/SE5560

## TYPICAL PERFORMANCE CHARACTERISTICS (Continued)

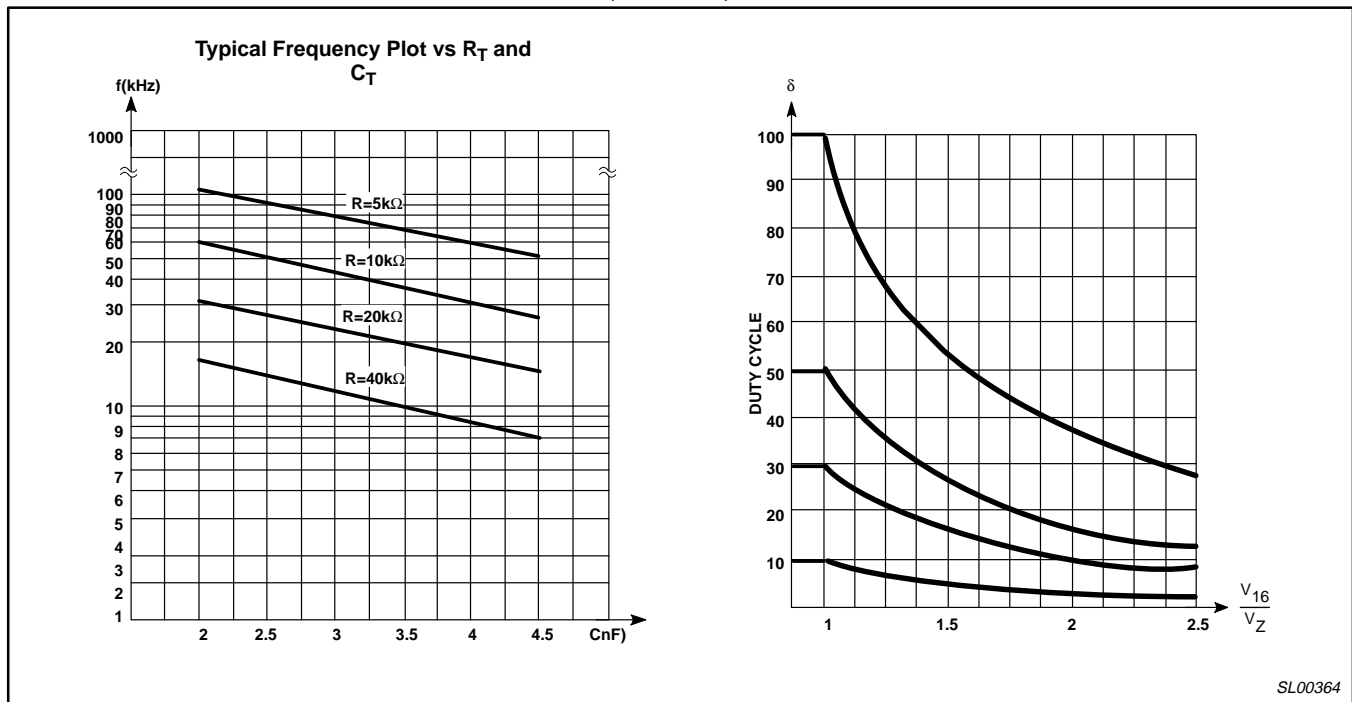


Figure 5. Typical Performance Characteristics

## THEORY OF OPERATION

The following functions are incorporated:

- A temperature-compensated reference source.
- An error amplifier with Pin 3 as input. The output is connected to Pin 4 so that the gain is adjustable with external resistors.
- A sawtooth generator with a TTL-compatible synchronization input (Pins 7, 8, 9).
- A pulse-width modulator with a duty cycle range from 0 to 95%.

The PWM has two additional inputs:

Pin 6 can be used for a precise setting of  $\delta_{MAX}$

Pin 5 gives a direct access to the modulator, allowing for real constant-current operation:

- A gate at the output of the PWM provides a simple dynamic current limit.
- A latch that is set by the flyback of the sawtooth and reset by the output pulse of the above mentioned gate prohibits double pulsing.
- Another latch functions as a start-stop circuit; it provides a fast switch-off and a slow start.
- A current protection circuit that operates via the start-stop circuit. This is a combined function with the current limit circuit, therefore Pin 11 has two trip-on levels; the lower one for cycle-by-cycle current limiting, the upper one for current protection by means of switch-off and slow-start.
- A TTL-compatible remote on/off input at Pin 10, also operating via the start-stop circuit.
- An inhibit input at Pin 13. The output pulse can be inhibited immediately.
- An output gate that is commanded by the latches and the inhibit circuit.

- An output transistor of which both the collector (Pin 15) and the emitter (Pin 14) are externally available. This allows for normal or inverse output pulses.
- A power supply that can be either voltage- or current-driven (Pins 1 and 12). The internally-generated stabilized output voltage  $V_Z$  is connected to Pin 2.
- A special function is the so-called feed-forward at Pin 16. The amplitude of the sawtooth generator is modulated in such a way that the duty cycle becomes inversely proportional to the voltage on this pin:  $\delta \sim 1/V_{16}$ .
- Loop fault protection circuits assure that the duty cycle is reduced to zero or a low value for open- or short-circuited feedback loops.

## Stabilized Power Supply (Pins 1, 2, 12)

The power supply of the NE5560 is of the well known series regulation type and provides a stabilized output voltage of typically 8.5V.

This voltage  $V_Z$  is also present at Pin 2 and can be used for precise setting of  $\delta_{MAX}$  and to supply external circuitry. Its max. current capability is 5mA.

The circuit can be fed directly from a DC voltage source between 10.5V and 18V or can be current-driven via a limiting resistor. In the latter case, internal pinch-off resistors will limit the maximum supply voltage: typical 23V for 10mA and max. 30V for 30mA.

The low supply voltage protection is active when  $V_{(1-12)}$  is below 10.5V and inhibits the output pulse (no hysteresis).

When the supply voltage surpasses the 10.5V level, the IC starts delivering output pulses via the slow-start function.





Switched-mode power supply control circuit

NE/SE5560

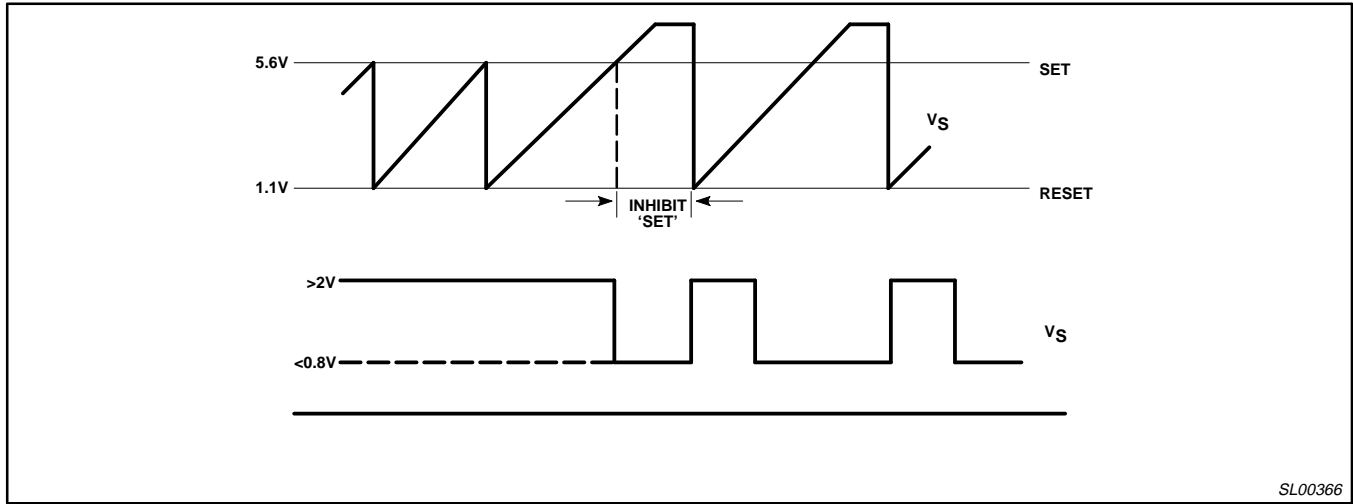


Figure 7. Sawtooth Oscillator Synchronization

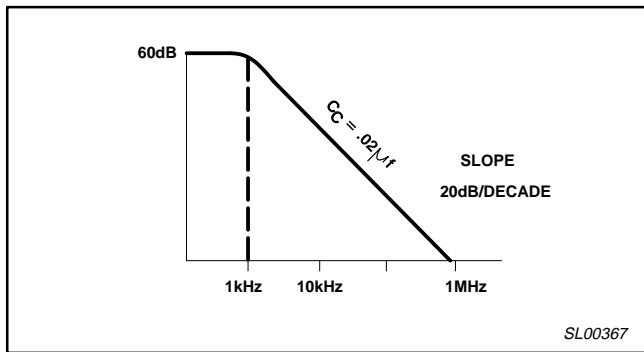


Figure 8. Error Amplifier Compensation Open-Loop Gain

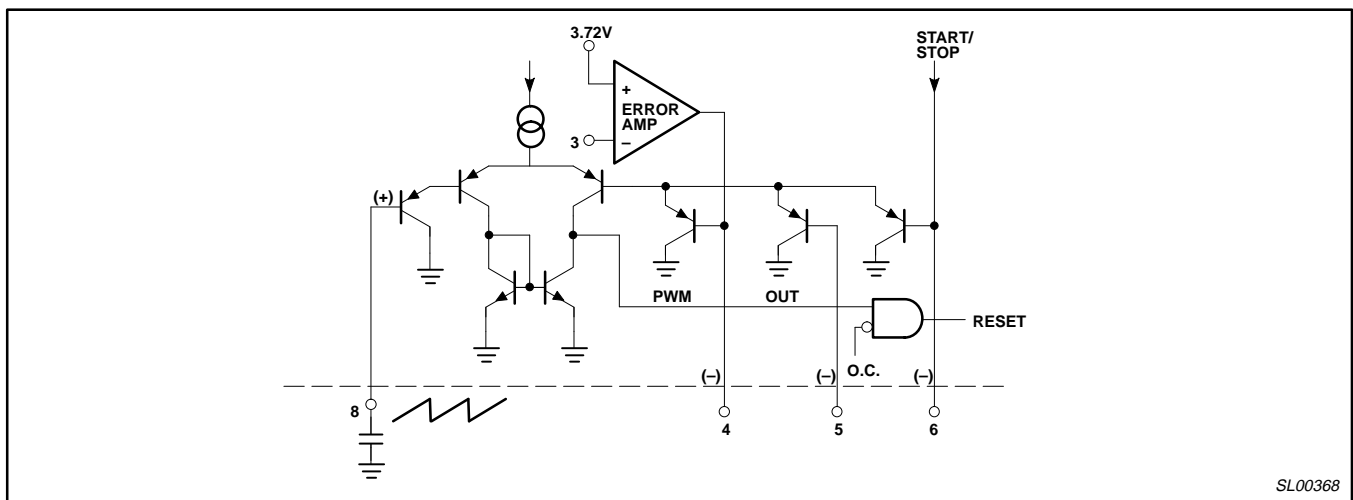


Figure 9. Error Amplifier

Switched-mode power supply control circuit

NE/SE5560

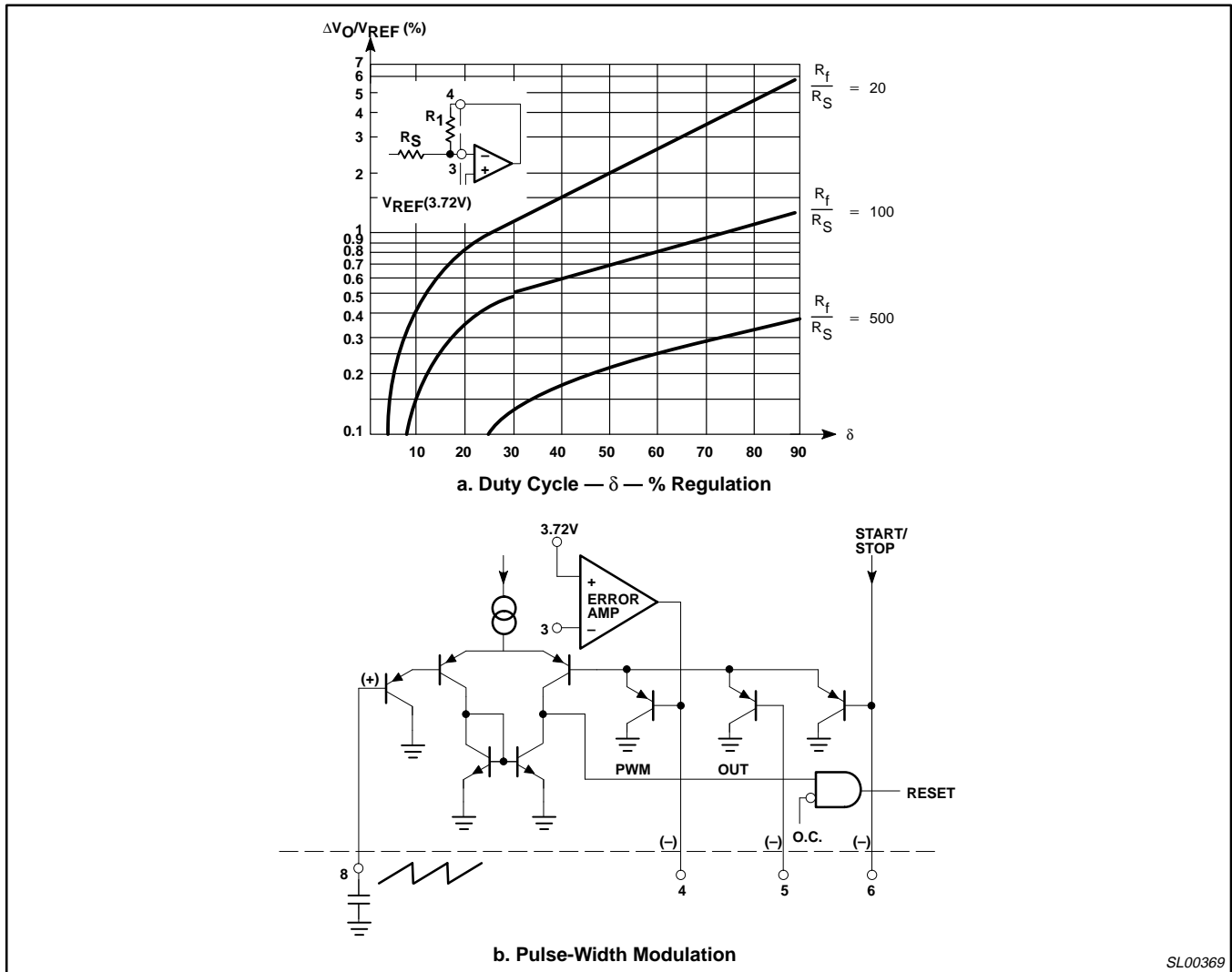


Figure 10.

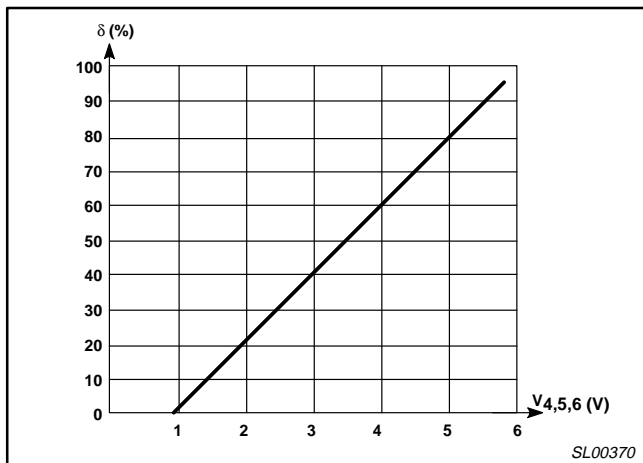


Figure 11. Transfer Curve of Pulse-Width Modulator Duty Cycle vs Input Voltage

**Extra PWM Input (Pin 5)**

The PWM has an additional inverting input: Pin 5. It allows for attacking the duty cycle via the PWM circuit, independently from the feedback and the  $\delta_{MAX}$  information. This is necessary when the SMPS must have a real constant-current behavior, possibly with a fold-back characteristic. However, the realization of this feature must be done with additional external components. When not used, Pin 5 should be tied to Pin 6.

# Switched-mode power supply control circuit

# NE/SE5560

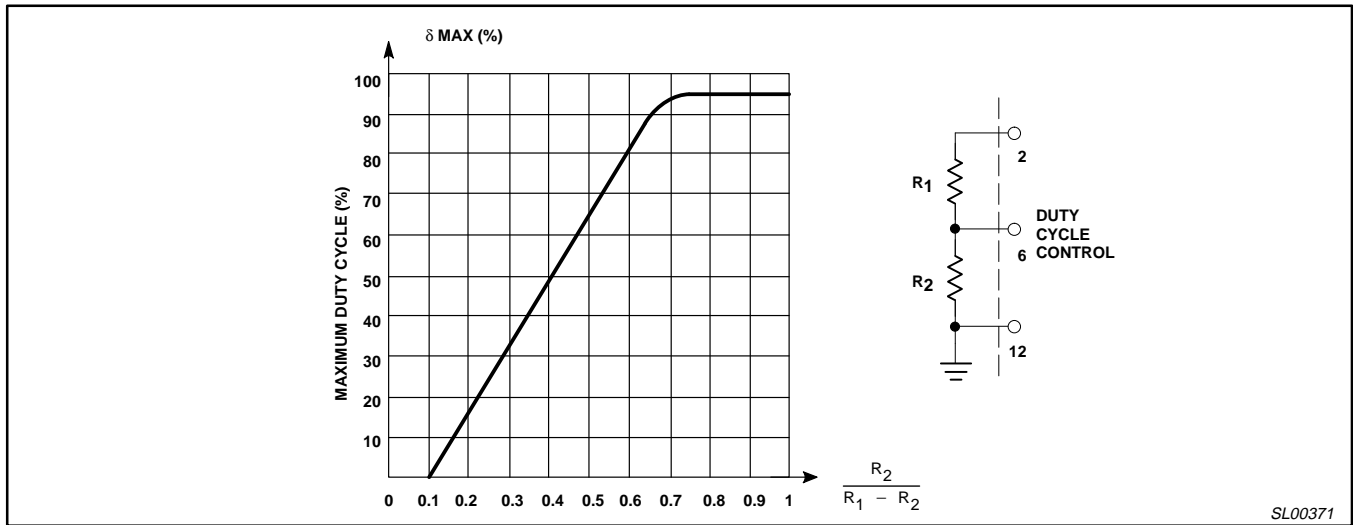


Figure 12. Graph for Determining  $\delta_{MAX}$

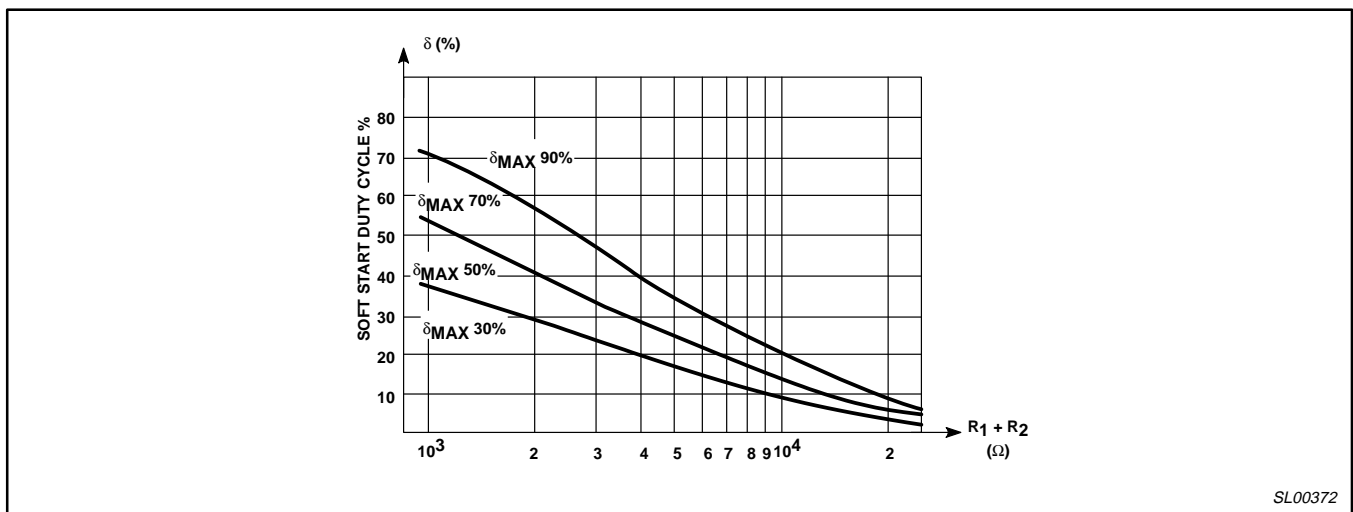


Figure 13. Soft-Start Minimum Duty Cycle vs  $R_1 + R_2$

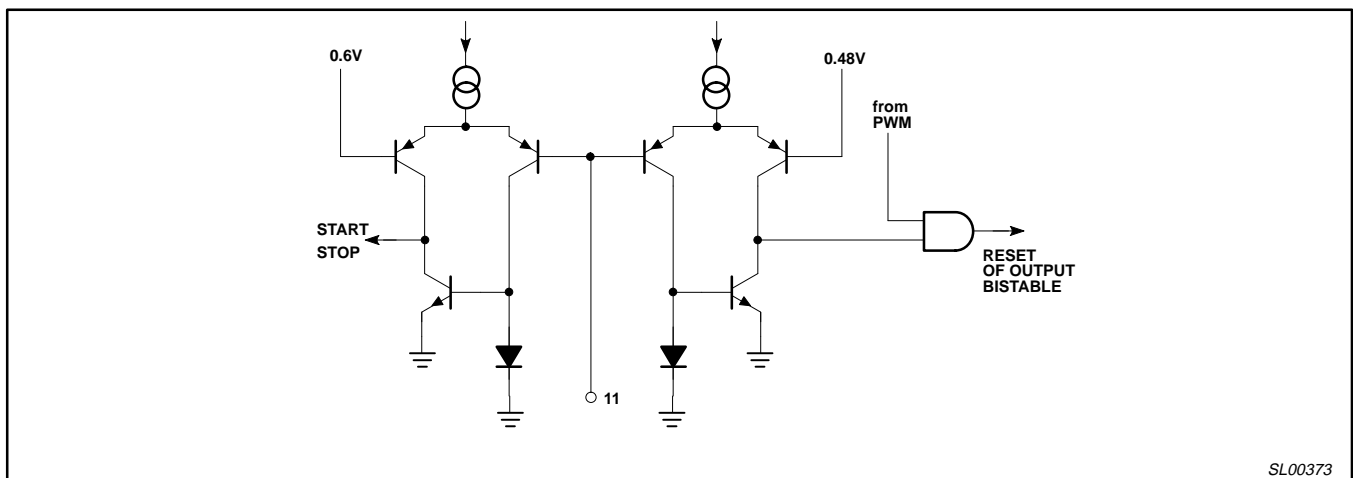


Figure 14. Current Protection Input

# Switched-mode power supply control circuit

# NE/SE5560

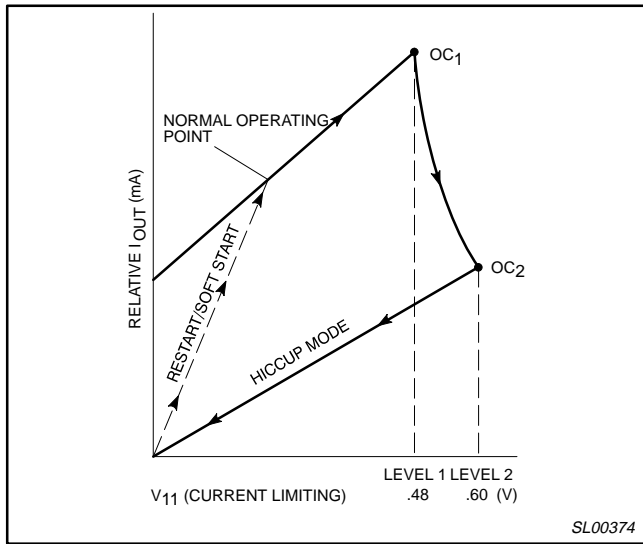


Figure 15. Output Characteristics

## Dynamic Current Limit and Current Protection (Pin 11)

In many applications, it is not necessary to have a real constant-current output of the SMPS.

Protection of the power transistor will be the prime goal. This can be realized with the NE5560 in an economical way. A resistor (or a current transformer) in the emitter of the power transistor gives a replica of the collector current. This signal must be connected to Pin 11. As can be seen in Figure 14, this input has two comparators with different reference levels. The output of the comparator with the lower 0.48V reference is connected to the same gate as the output of the PWM.

When activated, it will immediately reset the output flip-flop, so reducing the duty cycle. The effectiveness of this cycle-by-cycle

current limit diminishes at low duty cycle values. When  $\delta$  becomes very small, the storage time of the power transistor becomes dominant. The current will now increase again, until it surpasses the reference of the second comparator. The output of this comparator activates the start-stop circuit and causes an immediate inhibit of the output pulses. After a certain deadtime, the circuit starts again with very narrow output pulses. The effect of this two-level current protection circuit is visualized in Figure 15.

## The Start-Stop Circuit

The function of this protection circuit is to stop the output pulses as soon as a fault occurs and to keep the output stopped for several periods. After this dead-time, the output starts with a very small, gradually increasing duty cycle. When the fault is persistent, this will cause a cyclic switch-off/switch-on condition. This "hiccup" mode effectively limits the energy during fault conditions. The realization and the working of the circuit are indicated in Figures 12 and 13. The dead time and the soft-start are determined by an external capacitor that is connected to Pin 6 ( $\delta_{MAX}$  setting).

An RS flip-flop can be set by three different functions:

1. Remote on/off on Pin 10.
2. Overcurrent protection on Pin 11.
3. Low supply voltage protection (internal).

As soon as one of these functions cause a setting of the flip-flop, the output pulses are blocked via the output gate. In the same time transistor Q1 is forward-biased, resulting in a discharge of the capacitor on Pin 6.

The discharging current is limited by an internal 150Ω resistor in the emitter of Q1. The voltage at Pin 6 decreases to below the lower level of the sawtooth. When V<sub>6</sub> has dropped to 0.6V, this will activate a comparator and the flip-flop is reset. The output stage is no longer blocked and Q1 is cut off. Now V<sub>Z</sub> will charge the capacitor via R1 to the normal  $\delta_{MAX}$  voltage. The output starts delivering very narrow pulses as soon as V<sub>6</sub> exceeds the lower sawtooth level. The duty cycle of the output pulse now gradually increases to a value determined by the feedback on Pin 3, or by the static  $\delta_{MAX}$  setting on Pin 6.

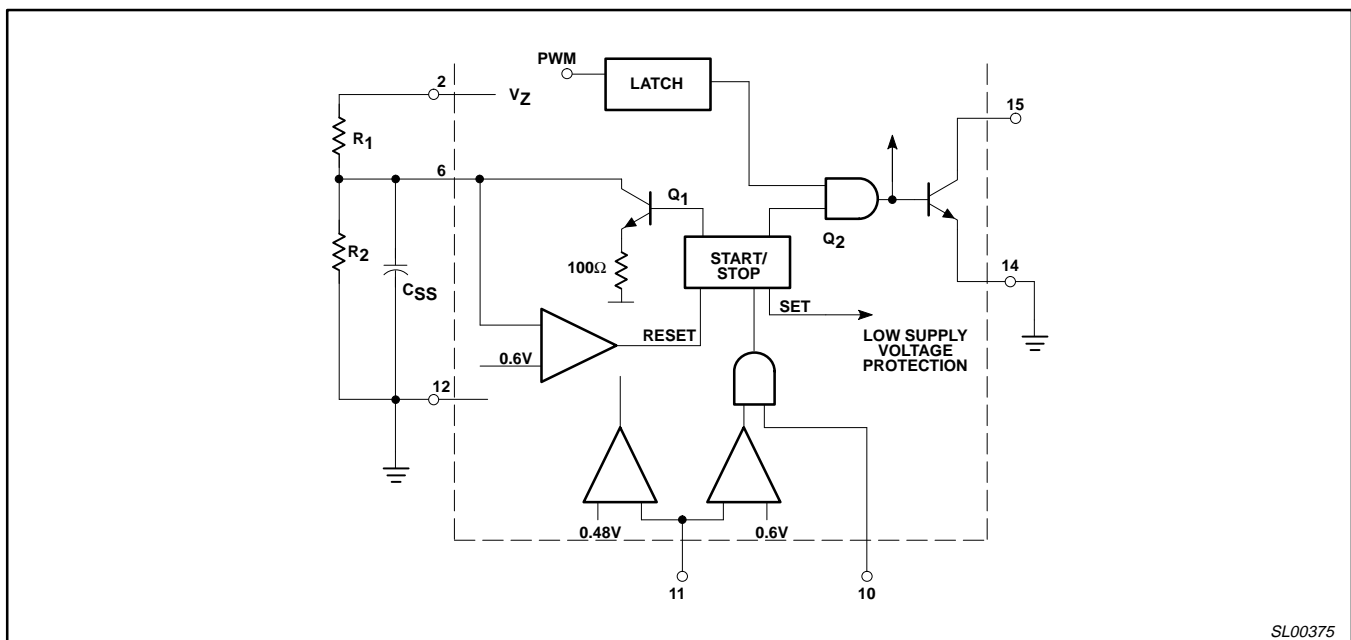


Figure 16. Start-Stop Circuit

# Switched-mode power supply control circuit

# NE/SE5560

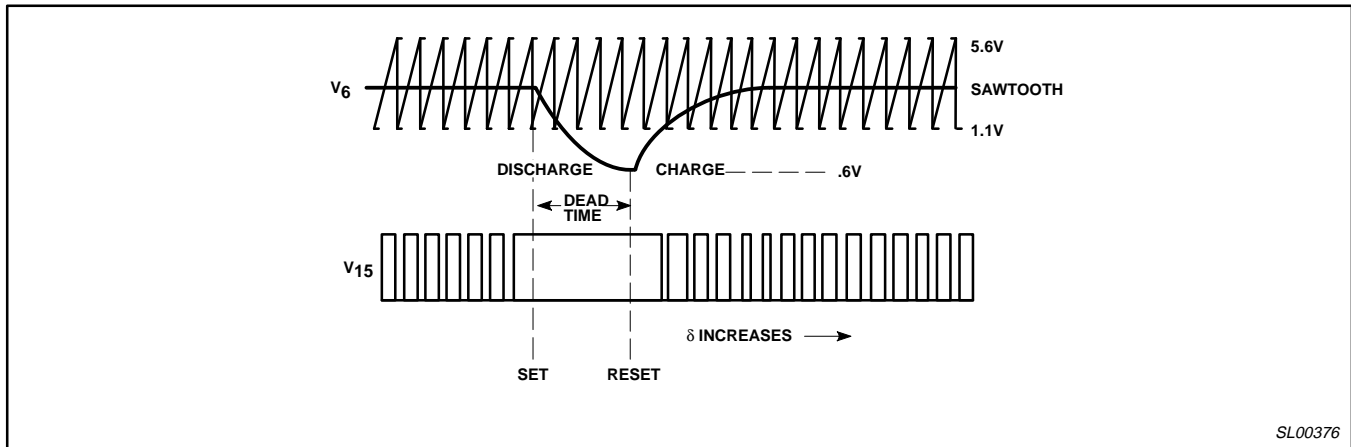


Figure 17. Start-Stop Circuit

SL00376

### Remote On/Off Circuit (Pin 10)

In systems where two or more power supplies are used, it is often necessary to switch these supplies on and off in a sequential way. Furthermore, there are many applications in which a supply must be switched by a logical signal. This can be done via the TTL-compatible remote on/off input on Pin 10. The output pulse is inhibited for levels below 0.8V. The output of the IC is no longer blocked when the remote on/off input is left floating or when a voltage >2V is applied. Start-up occurs via the slow-start circuit.

### The Output Stage

The output stage of the NE5560 contains a flip-flop, a push-pull driven output transistor, and a gate, as indicated in Figure 18. The flip-flop is set by the flyback of the sawtooth. Resetting occurs by a signal either from the PWM or the current limit circuit. With this configuration, it is assured that the output is switched only once per period, thus prohibiting double pulsing. The collector and emitter of the output transistor are connected to respectively Pin 15 and Pin 14, allowing for normal or inverted output pulses. An internally-grounded emitter would cause intolerable voltage spikes over the bonding wire, especially at high output currents.

This current capability of the output transistor is 40mA peak for  $V_{CE} \cong 0.4V$ . An internal clamping diode to the supply voltage protects the collector against overvoltages. The max. voltage at the emitter (Pin 14) must not exceed +5V. A gate, activated by one of the set or reset pulses, or by a command from the start-stop circuit will immediately switch-off the output transistor by short-circuiting its base. The external inhibitor (Pin 13) operates also via this base.

### Demagnetization Sense

As indicated in Figure 18, the output of this NPN comparator will block the output pulse, when a voltage above 0.6V is applied to Pin 13. A specific application for this function is to prevent saturation of forward-converter transformers. This is indicated in Figure 19.

### Feed-Forward (Pin 16)

The basic formula for a forward converter is

$$V_{OUT} = \frac{dV_{IN}}{n} \quad (n = \text{transformer ratio})$$

This means that in order to keep  $V_{OUT}$  at a constant value, the duty cycle  $\delta$  must be made inversely proportional to the input voltage. A pre-regulation (feed-forward) with the function  $\delta \sim 1/V_{IN}$  can ease the feedback-loop design.

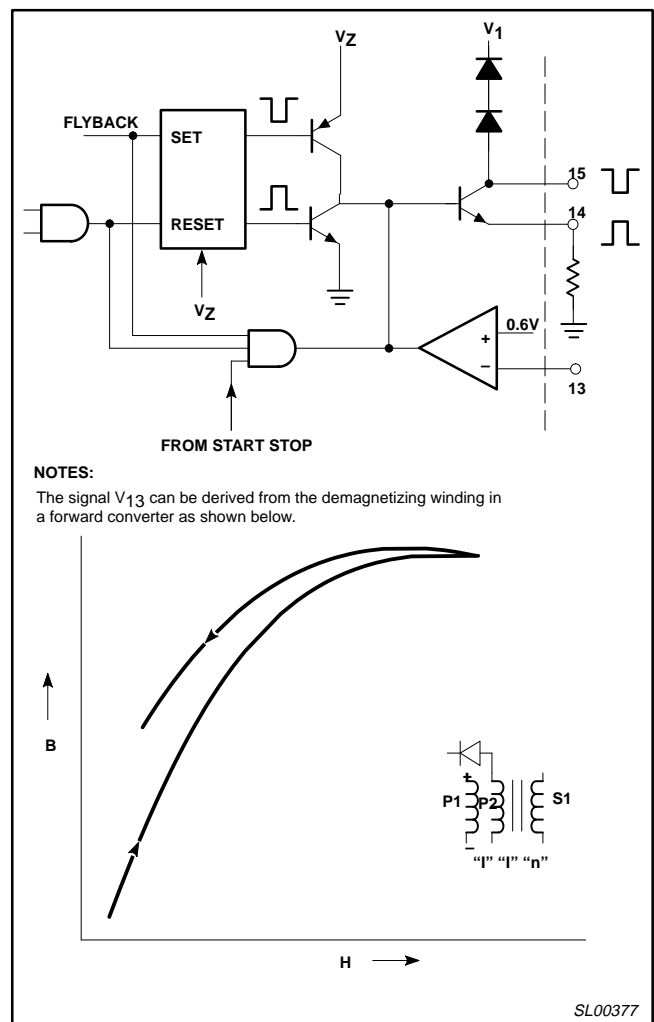


Figure 18. Output Stage

SL00377

This loop now only has to regulate for load variations which require only a low feedback gain in the normal operation area. The transformer of a forward converter must be designed in such a way

# Switched-mode power supply control circuit

# NE/SE5560

that it does not saturate, even under transient conditions, where the max. inductance is determined by  $\delta_{MAX} \times V_{IN}$  max. A regulation of  $\delta_{MAX} \sim 1/V_{IN}$  will allow for a considerable reduction or simplification of the transformer. The function of  $\delta \sim 1/V_{IN}$  can be realized by using Pin 16 of the NE5560.

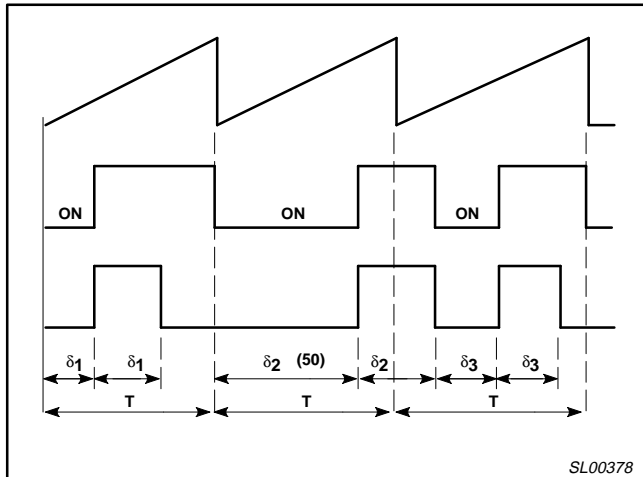


Figure 19. Output Stage Inhibit

Figure 20 shows the electrical realization. When the voltage at Pin 16 exceeds the stabilized voltage  $V_Z$  (Pin 2), it will increase the charging current for the timing capacitor on Pin 8.

The operating frequency is not affected, because the upper trip level for sawtooth increases also. Note that the  $\delta_{MAX}$  voltage on Pin 6 remains constant because it is set via  $V_Z$ . Figure 21 visualizes the effect on  $\delta_{MAX}$  and the normal operating duty cycle  $\delta$ . For  $V_{16} = 2 \times V_Z$ , these duty cycles have halved. The graph for  $\delta = f(V_{16})$  is given in Figure 22.

**NOTE:**  
 $V_{16}$  must be less than Pin 1 voltage.

## APPLICATIONS

### NE/SE5560 Push-Pull Regulator

This application describes the use of the Philips Semiconductors NE/SE5560 adapted to function as a push-pull switched mode regulator, as shown in Figures 23 and 24.

Input voltage range is +12V to +18V for a nominal output of +30V and -30V at a maximum load current of 1A with an average efficiency of 81%.

Features include feed-forward input compensation, cycle-to-cycle drive current protection and other voltage sensing, line (to positive output) regulation <1% for an input range of +13V to +18V and load regulation to positive output of <3% for  $\Delta I_L(+)$  of 0.1 to 1A.

The main pulse-width modulator operates to 48kHz with power switching at 24kHz.

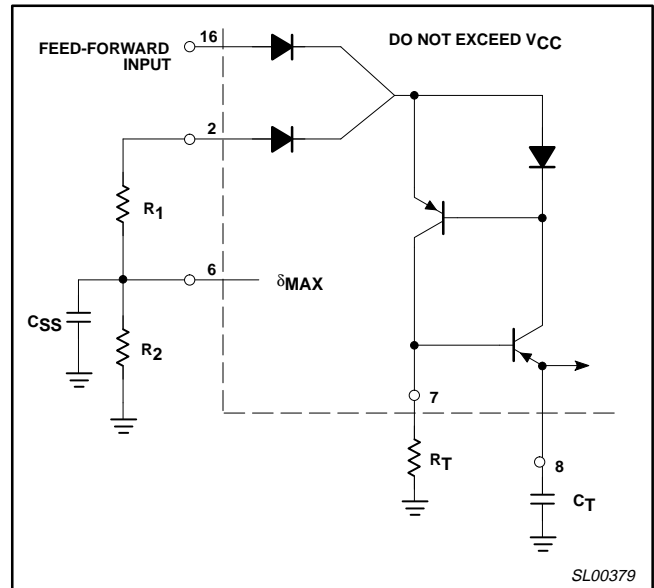


Figure 20. External  $\delta$  Maximum Control

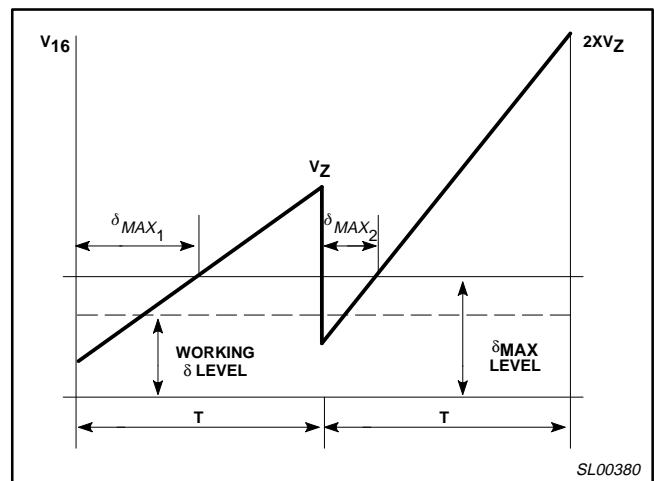


Figure 21. Feed-Forward Circuitry

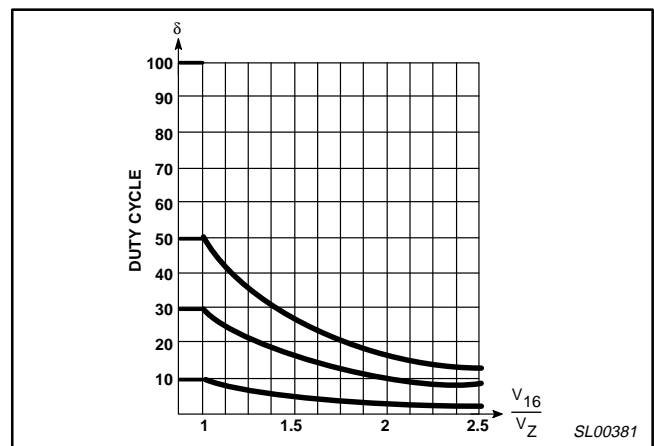
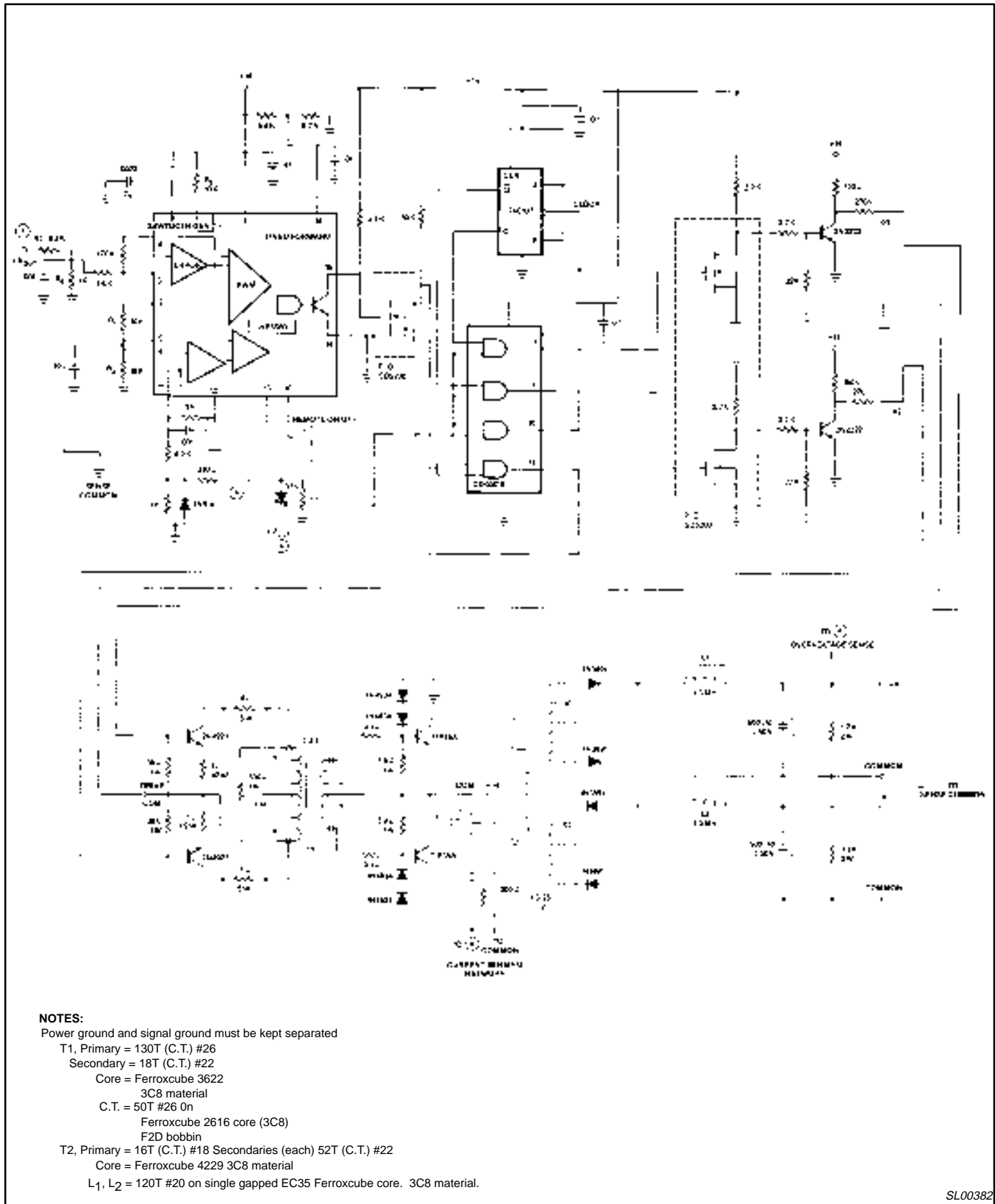


Figure 22. Feed-Forward Regulation

# Switched-mode power supply control circuit

# NE/SE5560



SL00382

Figure 23. NE/SE5560 Push-Pull Switched-Mode Regulated Supply with CMOS Drive Conversion Logic

Switched-mode power supply control circuit

NE/SE5560

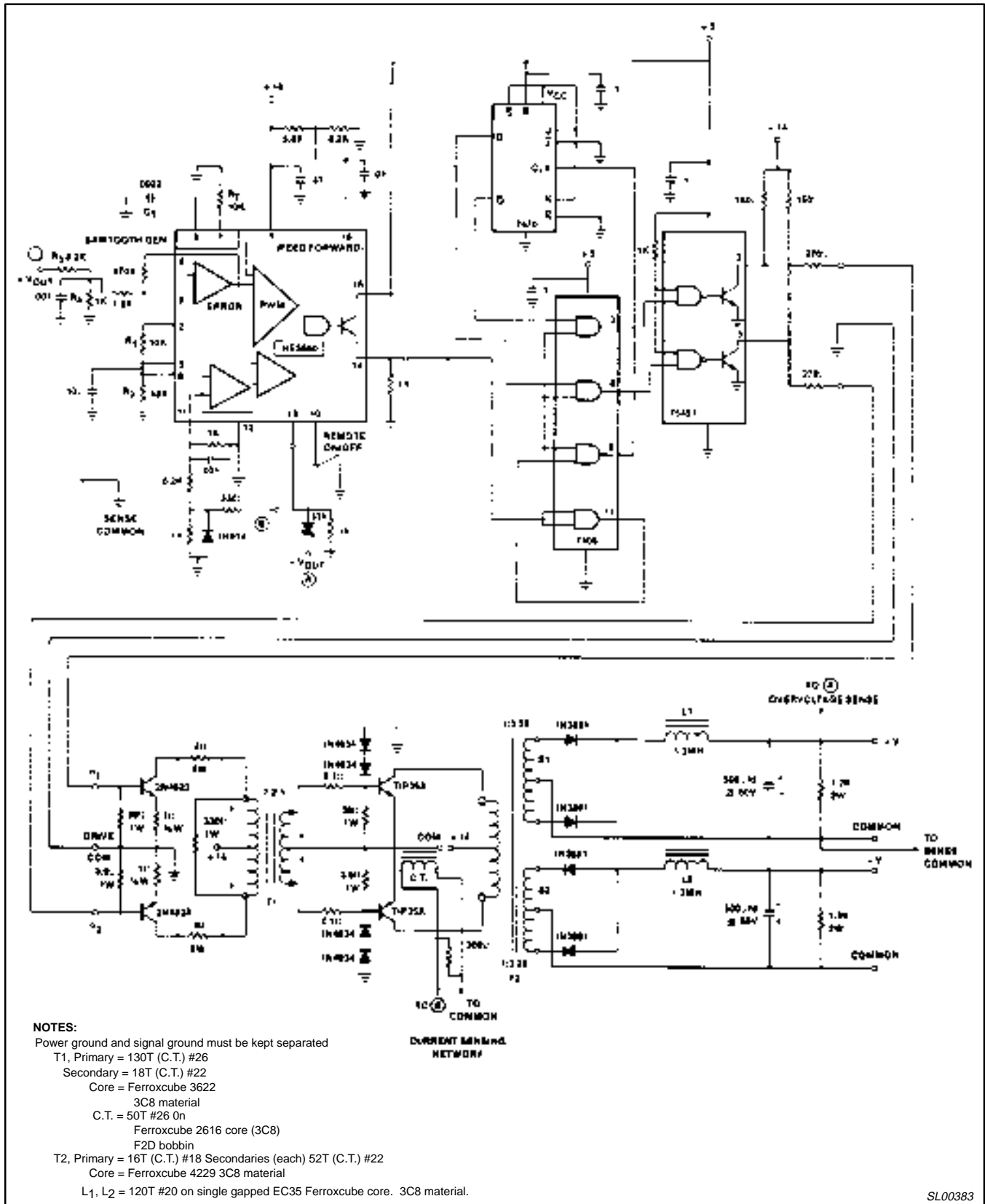


Figure 24. NE/SE5560 Push-Pull Switched-Mode Regulated With TTL Drive Conversion Logic

SL00383