



BVN-3361E1/8361E1

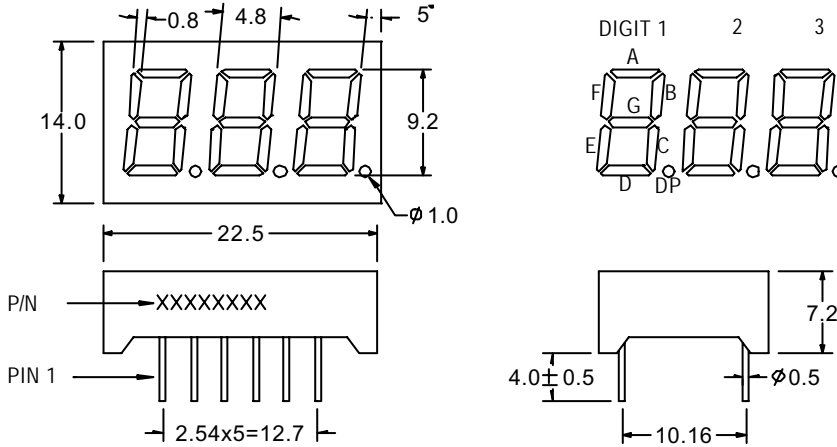
DESCRIPTION

Dice Material : GaAsP/GaP Orange
Light Color : Orange Color

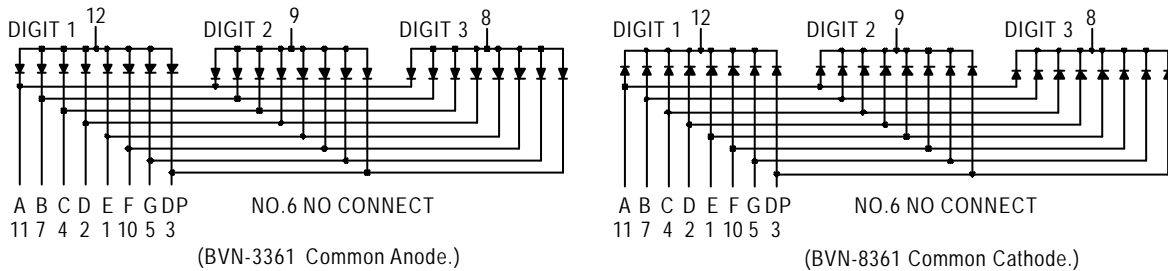
Lens Color : Milky Diffused
Surface Color : Black

PACKAGE CONFIGURATION

Tolerance : ± 0.25 mm



TYPICAL INTERNAL EQUIVALENT CIRCUIT



ABSOLUTE MAXIMUM RATINGS AT Ta = 25 °C

PARAMETER	MAX.	UNIT
Power Dissipation	80	mW
Continuous Forward Current	30	mA
Peak Forward Current (1/10 Duty Cycle , 0.1ms Pulse Width)	120	mA
Reverse Voltage	5	V
Derating Linear From 25 °C	0.4	mA/ °C
Operating Temperature Range	-30 °C to + 85 °C	
Storage Temperature Range	-40 °C to + 100 °C	
Lead Solder Temperature 1.6 mm Below Package	260 °C for 5 seconds	

ELECTRICAL / OPTICAL CHARACTERISTICS AT Ta = 25 °C

SYMBOL	PARAMETER	TEST COND.	MIN.	TYP.	MAX.	UNIT
V F	Forward Voltage	I F = 20 mA		2	2.8	V
I R	Reverse Current	V R = 5 V			100	μA
λ p	Peak Emission Wavelength	I F = 20 mA		632		n m
λ d	Dominant Wavelength	I F = 20 mA		622		n m
I v	Luminous Intensity	I F = 10 mA	4.7	8.5		mc d

*Bright View reserves the rights to alter specifications and remove availability of products at any time without notice