

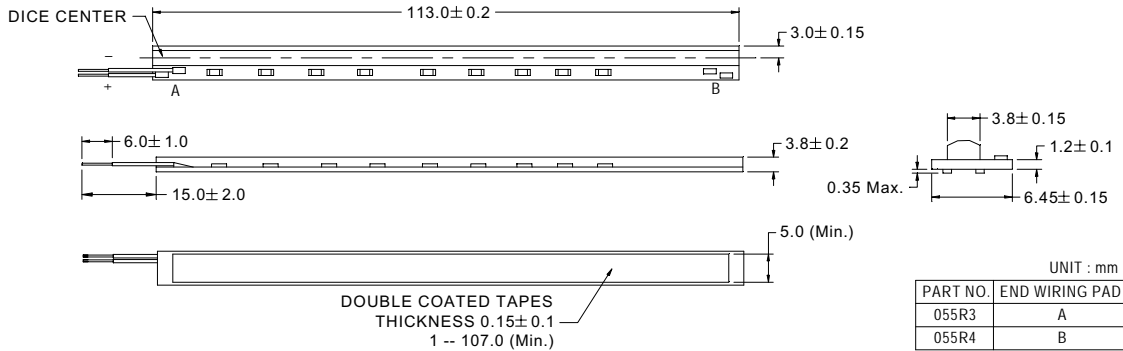


## BVG - 055R3 / 055R4

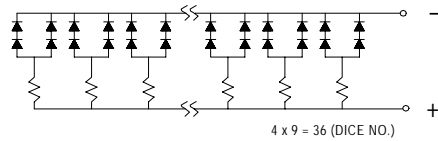
### DESCRIPTION

Dice Materia : GaAlAs/GaAs Super Red  
Light Color : Red  
Lens Color : Water Transparent

### PACKAGE CONFIGURATION



### TYPICAL INTERNAL EQUIVALENT CIRCUIT



### ABSOLUTE MAXIMUM RATINGS AT Ta = 25°C

PARAMETER	MAX.	UNIT
Forward Voltage	5.3	V
Reverse Voltage	7.0	V
Power Dissipation	2.4	W
Operating Temperature Range	-10°C TO +60°C	
Storage Temperature Range	-25°C TO +80°C	

### ELECTRICAL / OPTICAL CHARACTERISTICS AT Ta = 25°C

SYMBOL	PARAMETER	TEST COND.	MIN.	TYP.	MAX.	UNIT
I <sub>DD</sub>	Forward Current	V <sub>DD</sub> = 5 V		300	450	mA
I <sub>R</sub>	Reverse Current	V <sub>R</sub> = 7 V			0.5	mA
L <sub>vp</sub>	Peak Luminous	V <sub>DD</sub> = 5 V	1400			Lux
△EH	Uniformity	V <sub>DD</sub> = 5 V			15	%
△L	Effective Illuminated Width	V <sub>DD</sub> = 5 V	3.0	4.6		mm
λ <sub>p</sub>	Peak Emission Wavelength	I <sub>F</sub> = 20 mA		660		nm
△λ	Spectral Line Half Width	I <sub>F</sub> = 20 mA		30		nm
L	Effective Illuminated Length	V <sub>DD</sub> = 5 V		103		mm

\* Bright View reserves the rights to alter specifications and remove availability of products at any time without notice.

\* Dominant Wavelength, λ<sub>d</sub> is according to CIE Chromaticity Diagram base on color of lamps.

\* θ 1/2 is the off-axis angle where the luminous intensity is one half the on-axis intensity.