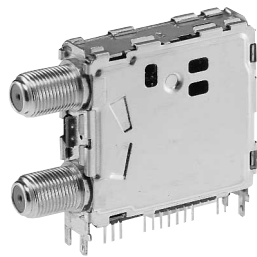


# DBS Front-End Unit

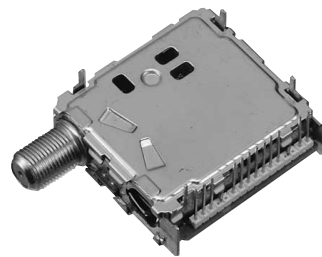
## Digital DBS Front-End Unit<I/Q Output Type>

Type	Model No.	Input frequency [MHz]	RF structure	BB bandwidth [MHz]	PLL	Zero-IF IC	Supply voltage [DC V]	Tuning voltage [DC V]	Package	Remarks
IQ output	BS2S7VZ1204	950 to 2 150	1 input	10 to 30(LPF)	—	(Custom) IX2360VA	3.3, 5	30	15 Vertical	With chassis cover
	BS2S7VZ0204	950 to 2 150	1 input with RF divider	10 to 30(LPF)	—	(Custom) IX2360VA	3.3, 5	30	15 Vertical	With chassis cover
	BS2S7HZ1204	950 to 2 150	1 input	10 to 30(LPF)	—	(Custom) IX2360VA	3.3, 5	30	15 Horizontal	With chassis cover

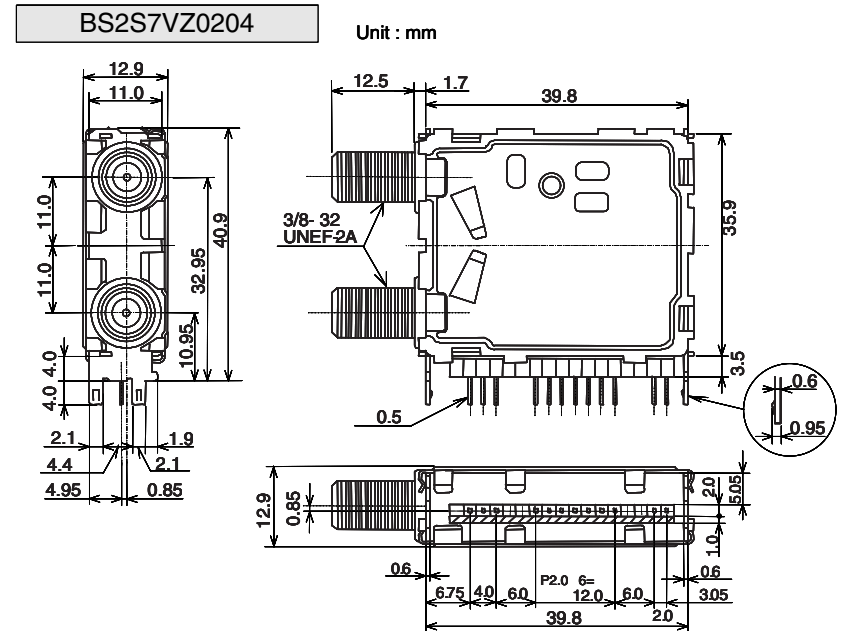
### Outline Dimensions (Image photographs)



BS2S7VZ0204



BS2S7HZ1204

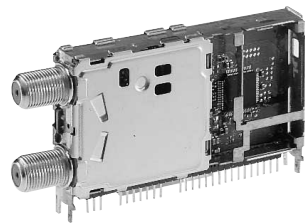


# DBS Front-End Unit

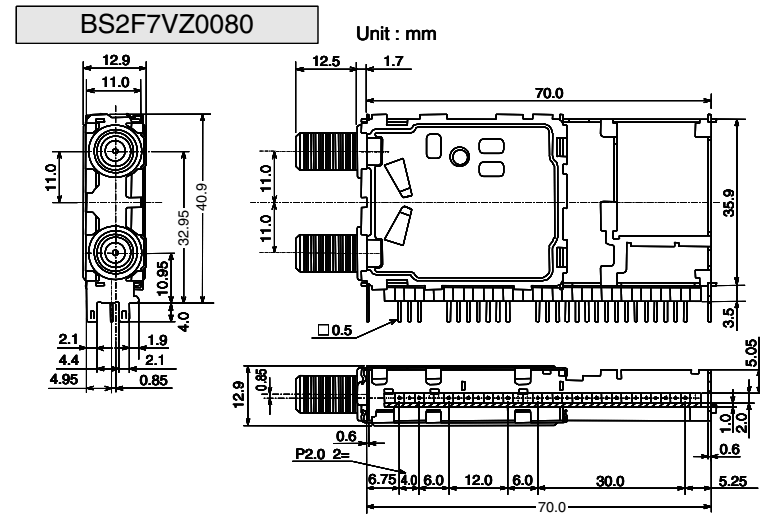
## Digital DBS Front-End Unit<with Built-in LINK IC>

Type	Model No.	Input frequency [MHz]	RF structure	BB bandwidth [MHz]	Zero-IF IC	Demodulation IC	Supply voltage [DC V]	Tuning voltage [DC V]	Package	Remarks
LINK	BS2F7VZ1080	950 to 2 150	1 input	10 to 30(LPF)	IX2360VA	L64724D	5, 3.3	30	27 Vertical	With chassis cover
	BS2F7VZ0080	950 to 2 150	1 input with RF divider	10 to 30(LPF)	IX2360VA	L64724	5, 3.3	30	27 Vertical	With chassis cover
	BS2F7VZ0184	950 to 2 150	1 input with RF divider	10 to 30(LPF)	IX2360VA	STV-0299	5, 3.3, 2.5	30	27 Vertical	With chassis cover
	BS2F7HZ1184	950 to 2 150	1 input	10 to 30(LPF)	IX2360VA	STV-0299	5, 3.3, 2.5	30	27 Horizontal	With chassis cover
	BS2F7VZ0440	950 to 2 150	1 input with RF divider	25(BB LPF)	IX2360VA	μPD61521	5, 3.3, 1.5	30	27 Vertical	With chassis cover (8PSK Decoder circuit)
	BS2F7HZ1440	950 to 2 150	1 input	25(BB LPF)	IX2360VA	μPD61521	5, 3.3, 1.5	30	27 Horizontal	With chassis cover (8PSK Decoder circuit)

### Outline Dimensions (Image photograph)



BS2F7VZ0184



# DBS Front-End Unit

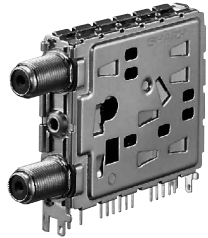
## Analog DBS Front-End Unit

Type	Model No.	Input frequency [MHz]	RF structure	Intermediate frequency [MHz]	IF bandwidth [MHz]	PLL	AFT	LT	Supply voltage [DC V]	Tuning voltage [DC V]	Package	Remarks
Analog	BS2D7VG1111	900 to 2 150	1 input	479.5	27	I <sup>2</sup> C(TA1322FN)	O	O	5	30	22 Vertical	VE model of BS2C7VG1111
	BS2D7VG2121	900 to 2 150	2 input	479.5	27/18	I <sup>2</sup> C(TA1322FN)	O	O	5	30	22 Vertical	VE model of BS2C7VG2121
Analog + Digital	BS2W7VG2002	900 to 2 150	2 input	479.5	27/36	I <sup>2</sup> C(SP5659)	O	O	5	30	32 Vertical	This model was discontinued.
	BS2W7HG2002	900 to 2 150	2 input	479.5	27/36	I <sup>2</sup> C(SP5659)	O	O	5	30	32 Horizontal	This model was discontinued.

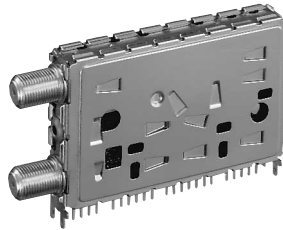
O : with

: without

### Outline Dimensions (Image photographs)



22 2-input type



BS2W7VG2002

