

Variable Optical Attenuator

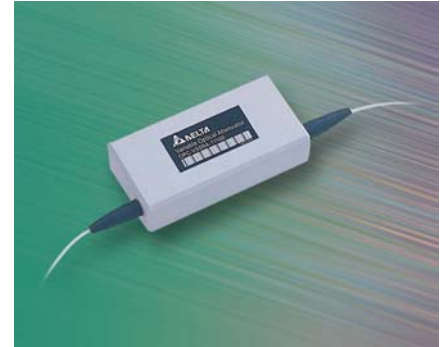
OPCV Series

Features:

- Designed to meet Bellcore 1073, 1221 reliability and performance standards
- Wide dynamic voltage control attenuation range from 0-30 dB
- Potentiometer feedback to monitor attenuator settings
- Optional integrated optical taps

Applications:

- Power equalization in multi-channel optically amplified networks
- Gain-tilt control in optical amplifiers
- Power control into receivers
- Laboratory R&D



Specifications: OPC-VS0R1-11100*

Wavelength Range ¹	S · C · L Band
Attenuation Range ²	0 ~ 30 dB
Attenuation Resolution	< 0.12 dB
Min. Insertion Loss ³	< 0.6 dB (without monitoring tap detector)
Temperature Dependent Loss	≤ 0.15 dB
Wavelength Dependent Loss ⁴	≤ 0.2 dB
Polarization Dependent Loss (PDL)	< 0.1 dB
Polarization Mode Dispersion (PMD)	< 0.1 ps
Return Loss	> 55 dB
Max. Optical Power	< 300 mW
Tuning Time ⁵	< 100 ms
Repeatability	< 0.1 dB
Operating Temperature	-5 to +70 °C
Storage Temperature	-40 to +85 °C
Housing Dimensions (LxWxH) ⁶	

* All specifications referenced without connectors.

1. Customers specify
2. Customers attenuation ranges available
3. Monitoring tap detectors are optional
4. WDL at 15 dB of attenuation
5. From 0 to 3 dB
6. With output tap mode: 50x29x12

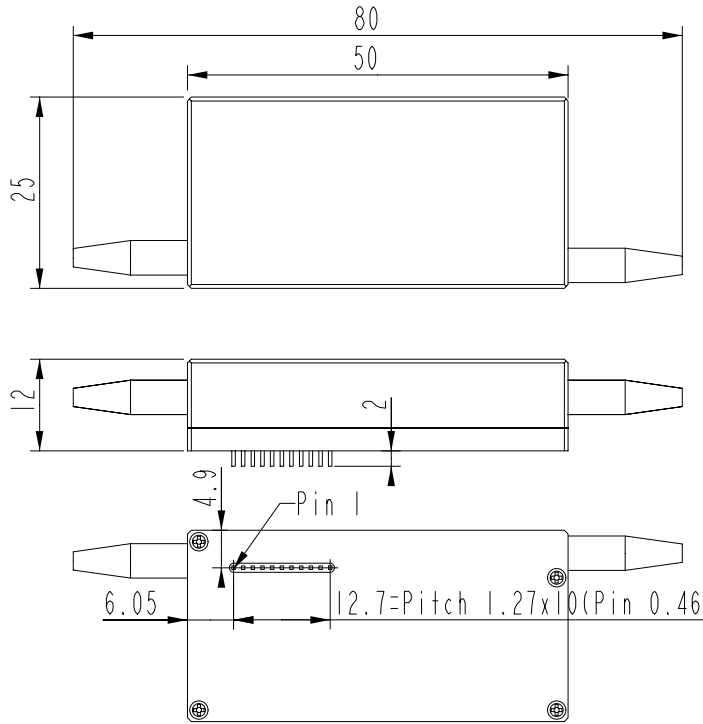
DELTA ELECTRONICS, INC.

(TAOYUAN PLANT II) 252, SHANG YING ROAD, KUEI SAN SHIANG, TAOYUAN SHIEN 333, TAIWAN R.O.C.

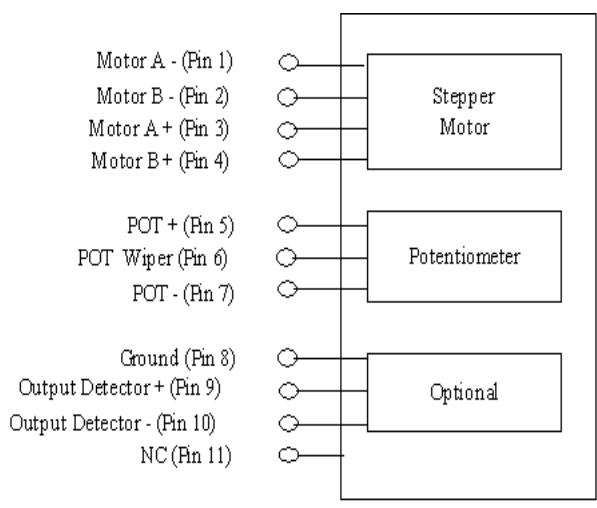
TEL: +886-3-3591968 FAX: +886-3-3591991

<http://www.deltaww.com>

Dimension:

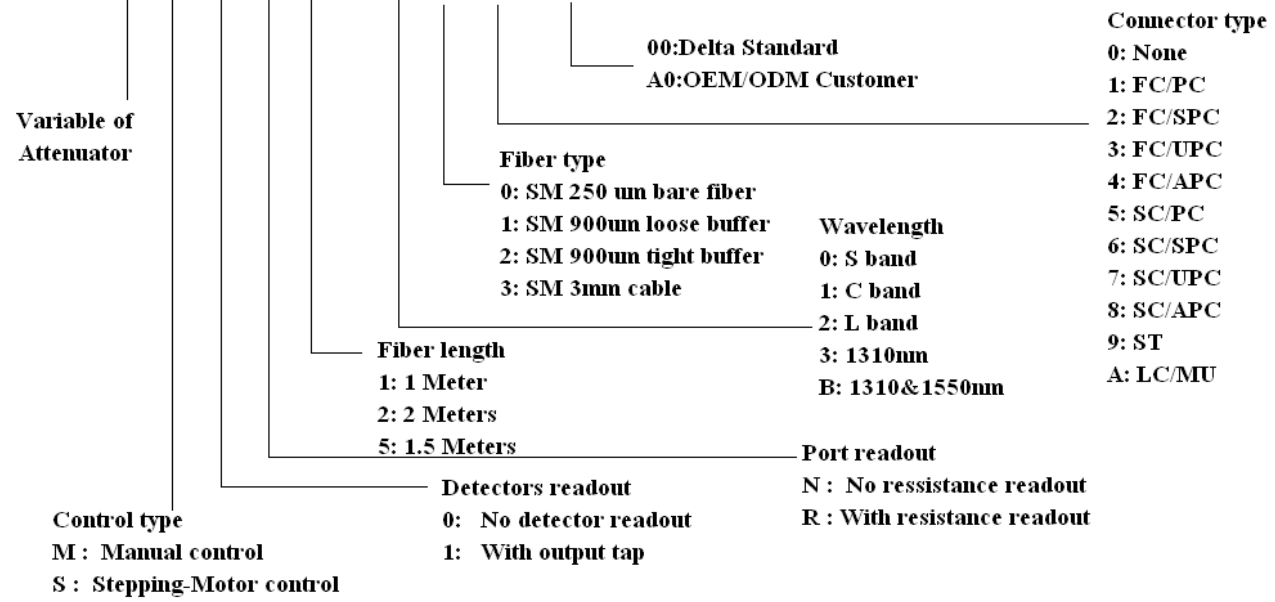


Pin Define:



Order Information:

OPC - V X X X X - X X X XX



DELTA ELECTRONICS, INC.

(TAOYUAN PLANT II) 252, SHANG YING ROAD, KUEI SAN SHIANG, TAOYUAN SHIEN 333, TAIWAN R.O.C.
 TEL: +886-3-3591968 FAX: +886-3-3591991

<http://www.deltaww.com>