

Miniature, Surface Mount, Voltage Controlled TCXO

TC753 • TC755

(3.3 V) (5.0 V)

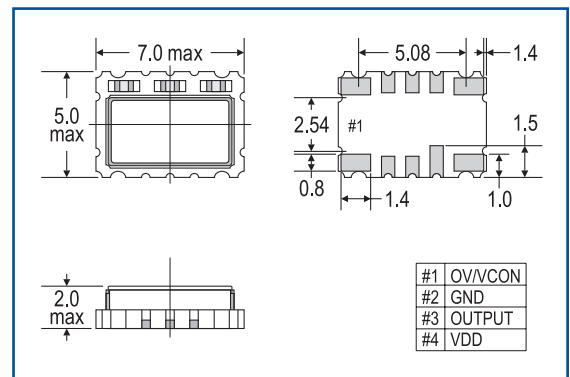
SPECIFICATIONS	TC753	TC755	
Power Supply	3.3V	5.0V	
Frequency Range	10.0 to 20.0 MHz (see below)		
Oper Temp Range	See Part Numbering Key		
Supply Current	10.0 to 15.0 MHz : 1.5 mA max 15.0 to 20.0 MHz : 2.0 mA max		
Frequency Stability	vs Temperature ± 2.5 ppm vs Aging ± 1.0 ppm max / year vs Power Supply 0.2 ppm vs VCC ± 5%		
Output	Load 10K Ω / 10 pF Level 0.8V p-p min (clipped sine, DC-cut)		
Start Time	2.0 ms max		
Pull Range	See Part Numbering Key		
Phase Noise	100 Hz : -110 dBc/Hz 1 KHz : -125 dBc/Hz 10 KHz : -130 dBc/Hz		
Developed Frequencies (MHz)	10.00 12.80 13.00	14.40 15.36 16.80	19.20 19.44 19.68

FEATURES

- Very tight stability
- Wide temperature range
- Optional supply voltages
- Voltage control option

APPLICATIONS

- Mobile communications
- Wireless RF
- Test equipment



TC753 / TC755

Units = mm

PART NUMBERING KEY

Sample Part Numbers

TC7534B1A =
@ 12.8 MHz

TC7553A2E =
@ 14.4 MHz

* Standard
** Consult factory

SERIES	TEMPERATURE RANGE	STABILITY	PULL RANGE	PACKAGING	FREQUENCY (MHz)
TC753 (3.3V) TC755 (5.0V)	1 = 0°C ~ 55°C 2 = 0°C ~ 85°C 3 = -10°C ~ 60°C 4 = -20°C ~ 70°C 5 = -30°C ~ 80°C* 6 = -40°C ~ 85°C**	A = ± 1.0 ppm** B = ± 2.5 ppm* C = ± 3.0 ppm D = ± 4.0 ppm E = ± 5.0 ppm	0 = No VC Function 1 = ± 5.0 ppm 2 = ± 8.0 ppm 3 = ± 10.0 ppm 9 = Cust Spec	A = Bulk E = Tape & Reel (Qty/Reel TBD)	
TC753	4	B	1	A	12.8
TC755	3	A	2	E	14.4

Call factory for additional options. Use full descriptive part number when ordering.
Parts will be marked with frequency only.

Monitor Products has a proven track record as a pioneer manufacturer in the frequency control market. If our extensive selection of standard and engineered crystals and oscillators does not meet your spec, we will work with you towards a customized solution.