



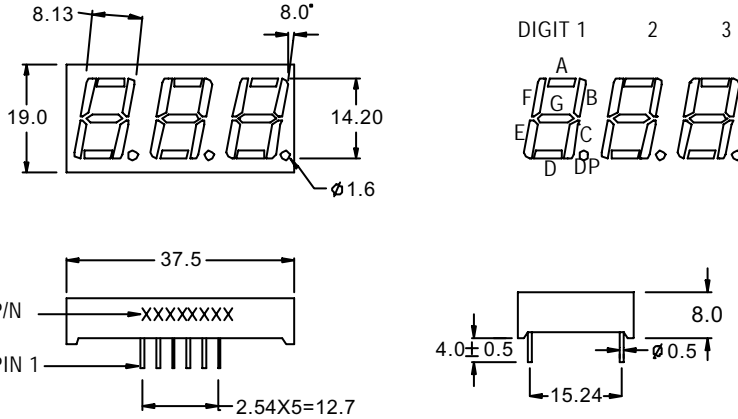
BVN-3561RS4/8561RS4

DESCRIPTION

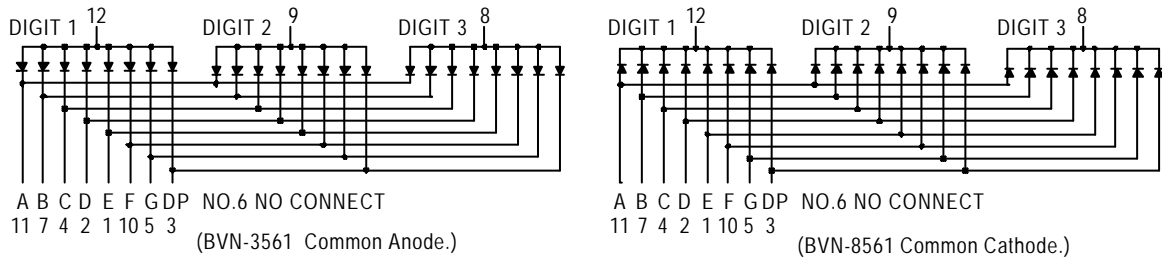
Dice Material : GaAlAs/GaAs,SH Super Brightness Red Lens Color : Red Diffused
Light Color : Red Color Surface Color : Black

PACKAGE CONFIGURATION

Tolerance : ± 0.25 mm



TYPICAL INTERNAL EQUIVALENT CIRCUIT



ABSOLUTE MAXIMUM RATINGS AT Ta = 25 °C

PARAMETER	MAX.	UNIT
Power Dissipation	100	mW
Continuous Forward Current	40	mA
Peak Forward Current (1/10 Duty Cycle , 0.1ms Pulse Width)	200	mA
Reverse Voltage	5	V
Derating Linear From 25 °C	0.5	mA/ °C
Operating Temperature Range	-30 °C to + 85 °C	
Storage Temperature Range	-40 °C to + 100 °C	
Lead Solder Temperature 1.6 mm Below Package	260 °C for 5 seconds	

ELECTRICAL / OPTICAL CHARACTERISTICS AT Ta = 25 °C

SYMBOL	PARAMETER	TEST COND.	MIN.	TYP.	MAX.	UNIT
V F	Forward Voltage	I F = 20 mA		1.8	2.5	V
I R	Reverse Current	V R = 5 V			100	μ A
λ p	Peak Emission Wavelength	I F = 20 mA		660		n m
λ d	Dominant Wavelength	I F = 20 mA		643		n m
I V	Luminous Intensity	I F = 10 mA	6.2	11		mcd

*Bright View reserves the rights to alter specifications and remove availability of products at any time without notice