



BVN-11801E1/61801E1

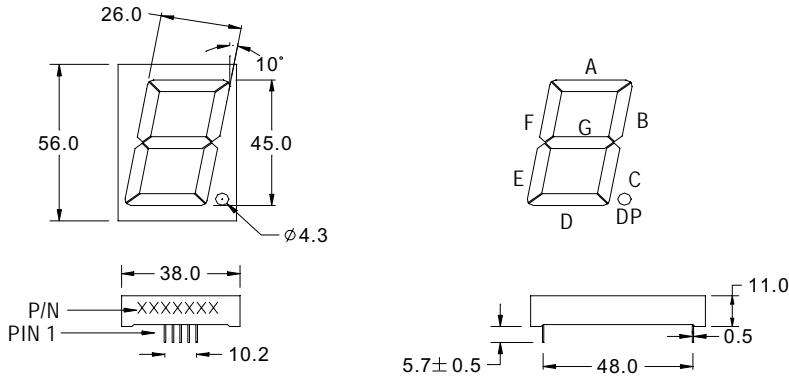
DESCRIPTION

Dice Material : GaAsP/GaP Orange
Light Color : Orange Color

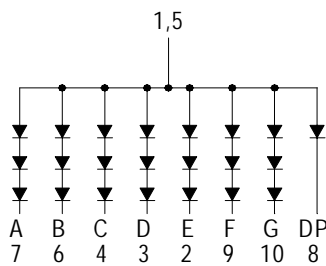
Lens Color : Milky Diffused
Surface Color : Black

PACKAGE CONFIGURATION

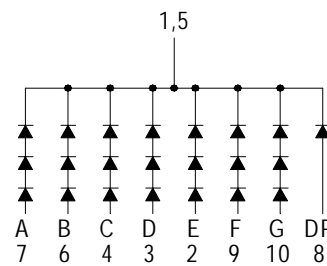
Tolerance : ± 0.25 mm



TYPICAL INTERNAL EQUIVALENT CIRCUIT



(BVN-11801 Common Anode.)



(BVN-61801 Common Cathode.)

ABSOLUTE MAXIMUM RATINGS AT Ta = 25 °C

PARAMETER	MAX.	UNIT
Power Dissipation , Per Segment(DP)	220(80)	mW
Continuous Forward Current	30	mA
Peak Forward Current (1/10 Duty Cycle , 0.1ms Pulse Width)	120	mA
Reverse Voltage, Per Segment(DP)	10(5)	V
Derating Linear From 25 °C	0.4	mA/ °C
Operating Temperature Range	-30 °C to + 85 °C	
Storage Temperature Range	-40 °C to + 100 °C	
Lead Solder Temperature 1.6 mm Below Package	260 °C for 5 seconds	

ELECTRICAL / OPTICAL CHARACTERISTICS AT Ta = 25 °C

SYMBOL	PARAMETER	TEST COND.	MIN.	TYP.	MAX.	UNIT
V _F	Forward Voltage , Per Segment(DP)	I _F = 20 mA		6.0(2.0)	7.5(2.8)	V
I _R	Reverse Current, Per Segment(DP)	V _R =10(5) V			100	μA
λ _p	Peak Emission Wavelength	I _F = 20 mA		632		nm
λ _d	Dominant Wavelength	I _F = 20 mA		622		nm
I _v	Luminous Intensity	I _F = 10 mA	22	38		mcd

*Bright View reserves the rights to alter specifications and remove availability of products at any time without notice