



**BVN-1563H1/6563H1**

**DESCRIPTION**

Dice Material : GaP/GaP Red

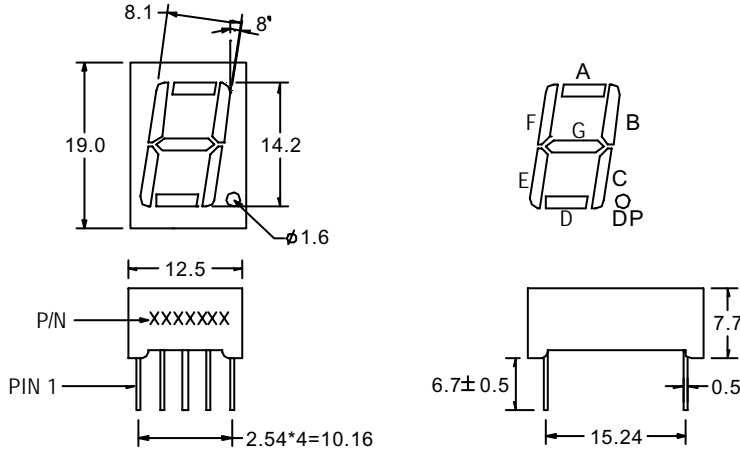
Light Color : Red Color

Lens Color : Milky Diffused

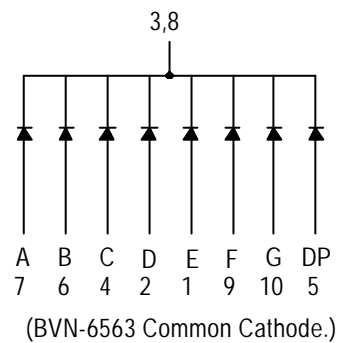
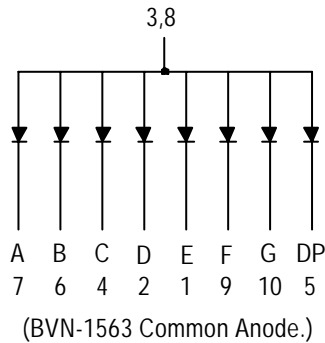
Surface Color : Black

**PACKAGE CONFIGURATION**

Tolerance :  $\pm 0.25$  mm



**TYPICAL INTERNAL EQUIVALENT CIRCUIT**



**ABSOLUTE MAXIMUM RATINGS AT Ta = 25 °C**

PARAMETER	MAX.	UNIT
Power Dissipation	40	mW
Continuous Forward Current	15	mA
Peak Forward Current ( 1/10 Duty Cycle , 0.1ms Pulse Width )	60	mA
Reverse Voltage	5	V
Derating Linear From 25 °C	0.15	mA/ °C
Operating Temperature Range	-30 °C to +85 °C	
Storage Temperature Range	-40 °C to +100 °C	
Lead Solder Temperature 1.6 mm Below Package	260 °C for 5 seconds	

**ELECTRICAL / OPTICAL CHARACTERISTICS AT Ta = 25 °C**

SYMBOL	PARAMETER	TEST COND.	MIN.	TYP.	MAX.	UNIT
V <sub>F</sub>	Forward Voltage	I <sub>F</sub> = 20 mA		2.2	2.8	V
I <sub>R</sub>	Reverse Current	V <sub>R</sub> = 5 V			100	μA
λ <sub>p</sub>	Peak Emission Wavelength	I <sub>F</sub> = 20 mA		695		nm
λ <sub>d</sub>	Dominant Wavelength	I <sub>F</sub> = 20 mA		640		nm
I <sub>V</sub>	Luminous Intensity	I <sub>F</sub> = 10 mA	1.7	3		mcd

\*Bright View reserves the rights to alter specifications and remove availability of products at any time without notice