



BVN-1562G1/6562G1

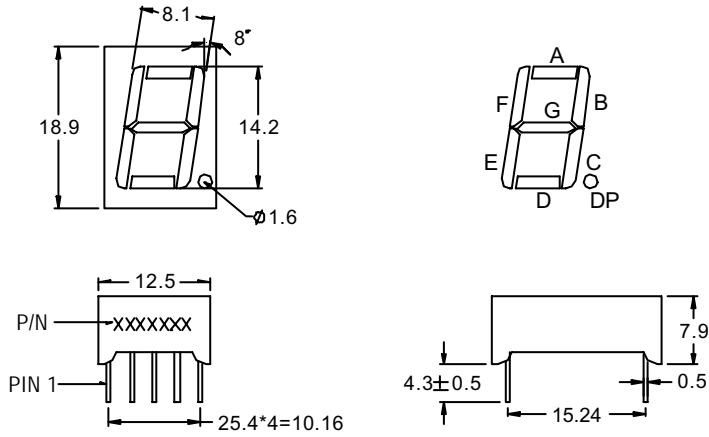
DESCRIPTION

Dice Material : GaP/GaP Green
Light Color : Green Color

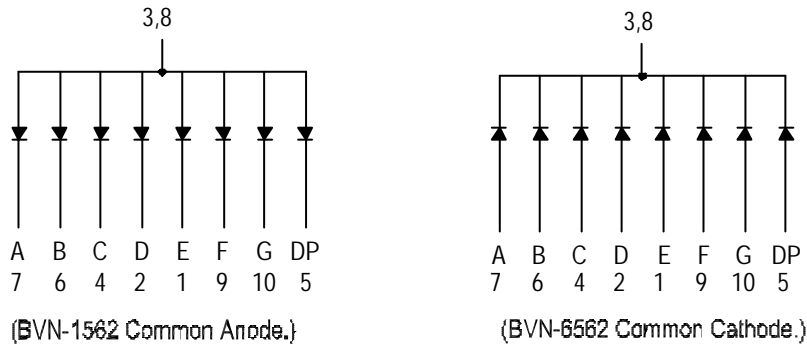
Lens Color : Milky Diffused
Surface Color : Black

PACKAGE CONFIGURATION

Tolerance : ± 0.25 mm



TYPICAL INTERNAL EQUIVALENT CIRCUIT



ABSOLUTE MAXIMUM RATINGS AT Ta = 25 °C

PARAMETER	MAX.	UNIT
Power Dissipation	80	mW
Continuous Forward Current	30	mA
Peak Forward Current (1/10 Duty Cycle , 0.1ms Pulse Width)	90	mA
Reverse Voltage	5	V
Derating Linear From 25 °C	0.4	mA/ °C
Operating Temperature Range	-30 °C to + 85 °C	
Storage Temperature Range	-40 °C to + 100 °C	
Lead Solder Temperature 1.6 mm Below Package	260 °C for 5 seconds	

ELECTRICAL / OPTICAL CHARACTERISTICS AT Ta = 25 °C

SYMBOL	PARAMETER	TEST COND.	MIN.	TYP.	MAX.	UNIT
V _F	Forward Voltage	I _F = 20 mA		2.2	2.8	V
I _R	Reverse Current	V _R = 5 V			100	μA
λ _p	Peak Emission Wavelength	I _F = 20 mA		568		nm
λ _d	Dominant Wavelength	I _F = 20 mA		573		nm
I _V	Luminous Intensity	I _F = 10 mA	4.7	8.5		mcd

*Bright View reserves the rights to alter specifications and remove availability of products at any time without notice