



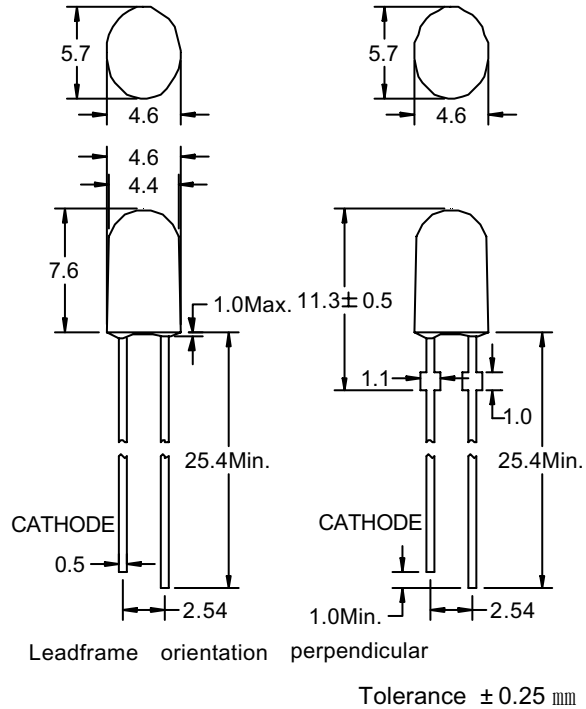
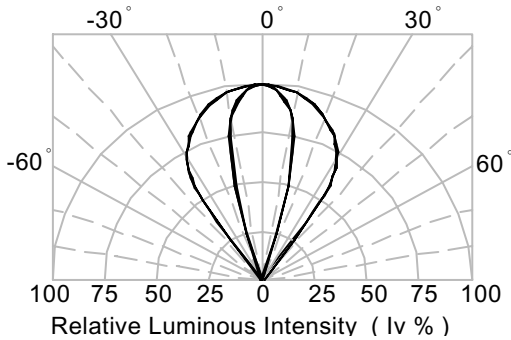
**BVU-529QH8#  
BVT-529QH8#**

**PACKAGE CONFIGURATION**

**DESCRIPTION**

Dice Material : AlGaInP/GaAs Orange Red  
Light Color : Orange Red Color  
Lens Color : Red Tinted Transparent  
Stand-Off P/N : BVU-529QH8# R

**RADIATION PATTERN**



**ABSOLUTE MAXIMUM RATINGS AT Ta = 25 °C**

PARAMETER	MAX.	UNIT
Power Dissipation	75	mW
Continuous Forward Current	30	mA
Peak Forward Current ( 1/10 Duty Cycle , 0.1ms Pulse Width )	160	mA
Reverse Voltage	5	V
Derating Linear From 50 °C	0.4	mA/°C
Operating Temperature Range	-40 °C to + 100 °C	
Storage Temperature Range	-40 °C to + 100 °C	
Lead Solder Temperature 1.6 mm Below Package 260 °C for 5 seconds		

**ELECTRICAL / OPTICAL CHARACTERISTICS AT Ta = 25 °C**

SYMBOL	PARAMETER	TEST COND.	MIN.	TYP.	MAX.	UNIT
V <sub>F</sub>	Forward Voltage	I <sub>F</sub> = 20 mA		1.8	2.4	V
I <sub>R</sub>	Reverse Current	V <sub>R</sub> = 5V			100	μA
λ <sub>p</sub>	Peak Emission Wavelength	I <sub>F</sub> = 20 mA		630		nm
λ <sub>d</sub>	Dominant Wavelength	I <sub>F</sub> = 20 mA		626		nm
2θ <sub>1/2</sub>	Viewing Angle	I <sub>F</sub> = 20 mA		70/30		Deg

**BIN GRADE LIMITS ( I F = 20 mA ) LUMINOUS INTENSITY / mcd**

Device	<input type="checkbox"/> BVU-529QH8D	<input type="checkbox"/> BVU-529QH8E	<input type="checkbox"/> BVU-529QH8F	<input type="checkbox"/> BVU-529QH8G
Bin	D E F	G H I	J K L	M N O
Min.	218 280 360	465 600 780	1000 1300 1680	2180 2800 3600
Max.	280 360 465	600 780 1000	1300 1680 2180	2800 3600 4650

Tolerance ± 15% mcd

\*Bright View reserves the rights to alter specifications and remove availability of products at any time without notice.

\*Dominant Wavelength, λ<sub>d</sub> is according to CIE Chromaticity Diagram base on color of lamps.

\*θ<sub>1/2</sub> is the off-axis angle where the luminous intensity is one half the on-axis intensity.