
**FEATURES**

- **Compliant with IrDA Physical Layer Specification 1.3**
- **SIR Data Rates 2.4 Kb/s to 115 Kb/s**
- **High EMI Immunity, Eliminates the Need for Shielding**
- **Battery & Power Management Features:**
  - Low standby current - 110  $\mu$ A Typical
  - Shutdown - 2 nA Typical
  - Independent LED Anode Supply—2.7 V up to 9.0 V DC
  - Wide  $V_{CC}$  Voltage Range 2.4 V to 5.0 V, operable at 1.8 V at room temperature
  - $V_{CC}$  Noise Rejection >100 mV<sub>p-p</sub>
- **Shutdown Tri-States Receiver Output and Disables TxD Allowing Bus Interfacing**
- **TxD Echo-Off; RxD is quiet during transmission**
- **Provides Integrated Protection for Eye Safety**
- **High Immunity to Fluorescent Light Noise**
- **High DC Ambient Rejection**
- **Receiver Latency Less than 100  $\mu$ s**
- **Microwire Packaging**
  - (H) 2.74 mm x (D) 3.33 mm x (L) 8.96 mm

**Applications:**

- **Ideal for Battery Operated Hand-held Products**
- **PDA's, PCS Phones, Calculators, Isolated Medical Instruments, Infrared ID or Key Systems**

**DESCRIPTION**

The Vishay IRM5000D is an IrDA compliant infrared data transceiver. Unlike the IRM5000C, the IRM5000D eliminates receiver RxD output signals while transmitting. The RxD pin is quiet during transmission. This feature is called Echo-Off. The Shut Down (SD) feature cuts current consumption to typically less than 0.01  $\mu$ A. The Shut Down (SD) mode disables the transmit input and tri-states the receiver output. The transmit input is

AC coupled, limiting transmit pulse duration to 70  $\mu$ s, preventing transmitter damage. This also provides integrated protection for eye safety.

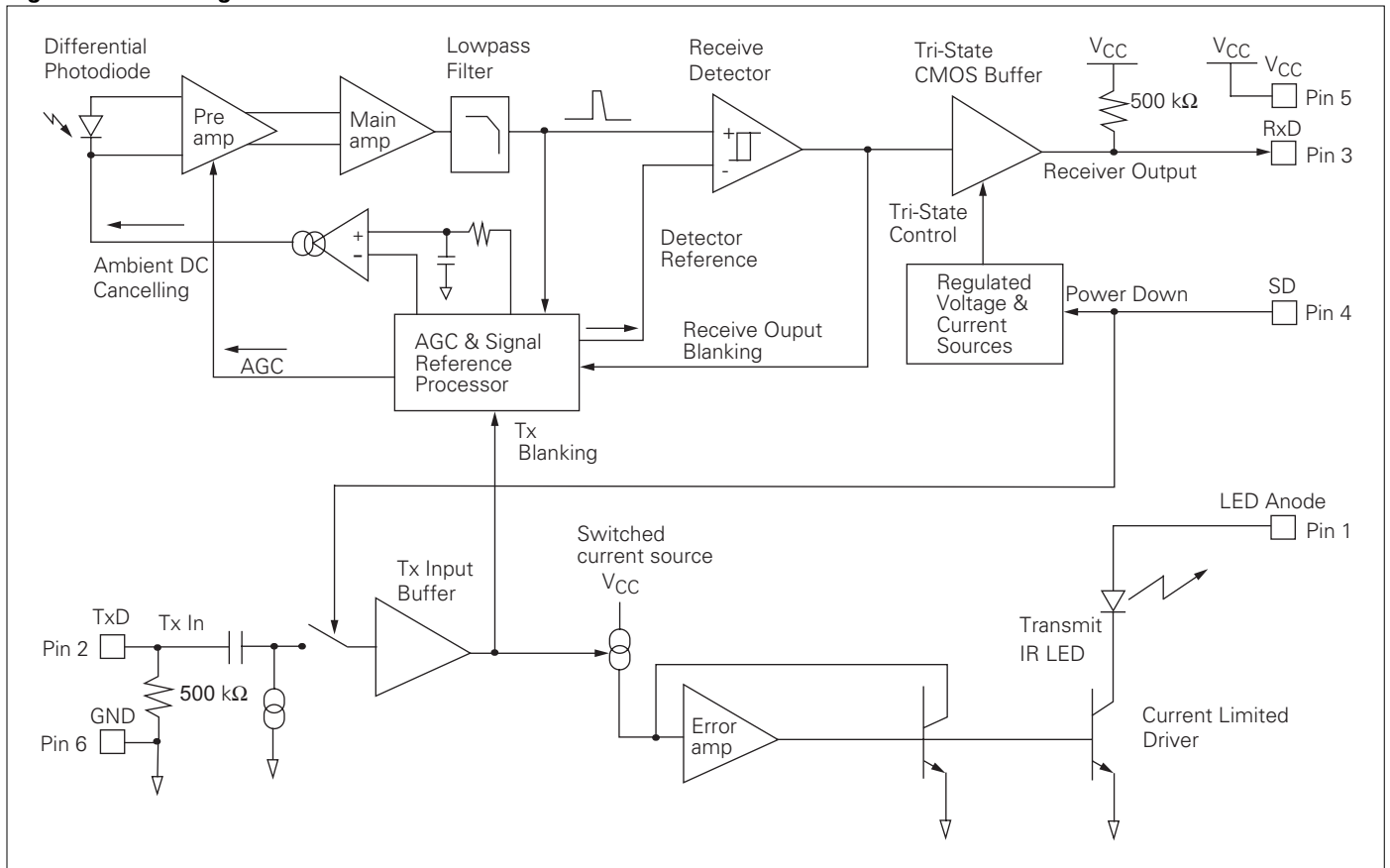
**Absolute Maximum Ratings,  $T_A=25^\circ\text{C}$  (except where noted)**

Supply Voltage Range, all states,  $V_{CC}$ .....-0.5 to +7.0 V  
 LED Anode Voltage,  
 $V_{CC}=0$  to 5.0 V, not transmitting,  $V_{LEDA}$  .....-0.5 to +9.0 V  
 LED Anode Voltage,  
 $V_{CC}=1.5$  to 5.0 V, transmitting,  $V_{LEDA}$  ..... -0.5 to  $V_{CC} + 4.0$  V  
 Input Current  
 $I_{CC}$  during transmit,  $V_{CC}=5.0$  V,  $TxD=V_{CC}$  (peak) ..... 20 mA  
 Output RxD Current ..... 20 mA  
 Storage Temperature,  
 storage or reduced performance,  $T_S$ .....-25 to +85 $^\circ\text{C}$   
 Ambient Temperature, operating,  $T_A$  .....-25 to +85 $^\circ\text{C}$   
 Lead Solder Temperature, 240 $^\circ\text{C}$  ..... <10 s  
 Average IR LED Current,  $I_{LED}$ ..... 100 mA  
 Repetitive Pulsed IR LED Current,  
 <10  $\mu$ s,  $t_{ON}$  <20%, LED Anode=3.3 V,  $I_{LED(RP)}$  ..... 500 mA  
 Input Voltage: TxD, Shut Down (SD)..... -0.5 to  $V_{CC} + 0.5$  V  
 RxD Voltage, ..... -0.5 to  $V_{CC} + 0.5$  V

**Table 1. Pin Functions**

Pin no.	Function	Pin no.	Function
1	IR LEDA	4	SD
2	TxD	5	$V_{CC}$
3	RxD	6	GND

**Figure 1. Block Diagram**



**Theory of operation**

The IRM5000D Microline Infrared Data Transceiver consists of a detector photodiode, an IR LED transmitter, an IC containing ambient light suppressor and Automatic Gain control circuitry (AGC).

The AGC in the IC is to keep the system output constant by varying the gain to accommodate a wide range of input signals. It also provides noise immunity in the high noise ambient environment.

For normal operation of the transmit and receiver modes, the Shut Down (SD) pin should be held low. It is recommended that this pin be connected to GND if Shut Down (SD) feature is not used.

In receive mode, the receiver output (RxD) which normally stays high, will go low for duration of the received pulses. It is a push-pull CMOS driver capable of driving a standard CMOS or TTL load. No external pull-up or pull-down resistor is required.

In transit mode, by asserting the TxD pin above  $\frac{1}{2} V_{CC}$  will turn on IR LED transmitter. LED Anode (pin 1) can be connected to  $V_{CC}$  or an unregulated power supply (not to exceed  $V_{CC} + 4.0$  V). It is recommended that a series resistor be connected at Pin1 (LED Anode) to reduce the thermal dissipation and to lower LED current when  $V_{LED}$  is greater than 3.3 V.

**Table 2. Microline IRM5000D Truth Table**

Inputs			Outputs		
SD	$V_{CC}$	TxD	Detector	RxD	LED
High	2.4 to 5.0 V	X=don't care state	X=don't care state	500 kΩ pull-up	Off
Low	2.4 to 5.0 V	High		High	On
	2.4 to 5.0 V	Low	$<0.4 \mu W/cm^2$	High	Off
	2.4 to 5.0 V		$<4.0 \mu W/cm^2$	Low	

## Electrical Characteristics

**Table 3. Basic Operating Parameters, T<sub>A</sub>=25°C (except where noted)**

Parameter	Sym.	Min.	Typ.	Max.	Unit	Conditions
Supported IrDA Data Rate	—	2.4	—	115.2	Kb/s	1.63 μs or 3/16 clock period
V <sub>CC</sub> Voltage	V <sub>CC</sub>	2.4	—	5.0	V	-25°C to +85°C, V <sub>CC</sub> to V <sub>SS</sub>
Maximum LED Anode Voltage	V <sub>LEDA</sub>	—	—	V <sub>CC</sub> +4	V	V <sub>CC</sub> =2.4 V to 5.0 V
I <sub>CC</sub> Shut Down Current ( <b>Note 1</b> )	I <sub>CC1</sub>	—	0.01	1.0	μA	SD=V <sub>CC</sub> , V <sub>CC</sub> =2.7 V to 5.0 V
I <sub>CC</sub> Standby Current (Average)	I <sub>CC2</sub>	—	110	—	μA	SD=0, V <sub>CC</sub> =2.7 V no signal
I <sub>CC</sub> Receiving Current (Average)	I <sub>CC3</sub>	—	120	—	μA	V <sub>CC</sub> =2.7, E=40W/m <sup>2</sup>
I <sub>CC</sub> Transmitting Current (Average)	I <sub>CC5</sub>	—	1.7	2.5	mA	V <sub>CC</sub> =2.7 V to 3.3 V, No LED resistor V <sub>LED</sub> =3.0 V DC

**Table 4. I/O Parameters**

Parameter	Sym.	Min.	Typ.	Max.	Unit	Conditions
TxD, SD input capacitance	—	—	5.0	—	pF	V <sub>CC</sub> =2.4 V to 5.0 V
TxD Input Impedence	—	—	500	—	kΩ	TxD=V <sub>CC</sub> , V <sub>CC</sub> =2.4 V to 5.0 V
TxD, SD Input Threshold ( <b>Note 1</b> )	—	0.8	1.4	2.0	V	V <sub>CC</sub> =2.4 V to 5.0 V
SD to RxD Tri-State	—	—	35	100	ns	V <sub>CC</sub> =2.4 V to 5.0 V
SD to RxD Enable	—	—	90	200	ns	V <sub>CC</sub> =2.4 V to 5.0 V
RxD Output High	V <sub>OH</sub>	—	4.3	—	V	V <sub>CC</sub> =5.0 V, I <sub>OH</sub> =4.0 mA
RxD Output High	V <sub>OH</sub>	—	1.7	—	V	V <sub>CC</sub> =2.4 V, I <sub>OH</sub> =1.0 mA
RxD Output Low	V <sub>OL</sub>	—	0.7	—	V	V <sub>CC</sub> =5.0 V, I <sub>OL</sub> =4.0 mA
RxD Output Low	V <sub>OL</sub>	—	0.3	—	V	V <sub>CC</sub> =2.4 V, I <sub>OL</sub> =1.0 mA
RxD Short Circuit	—	—	25	—	mA	V <sub>CC</sub> =5.0 V, RxD=0, RxD=V <sub>CC</sub>
RxD Short Circuit	—	—	4.0	—	mA	V <sub>CC</sub> =2.4 V, RxD=0, RxD=V <sub>CC</sub>
RxD to V <sub>CC</sub> Tri-State Imp	—	—	500	—	kΩ	SD=V <sub>CC</sub> , V <sub>CC</sub> =2.0 V to 5.0 V
RxD Rise/Fall Time	t <sub>r</sub> , t <sub>f</sub>	—	35	—	ns	V <sub>CC</sub> =5.0 V, Load=15 pF
RxD Rise/Fall Time	t <sub>r</sub> , t <sub>f</sub>	—	60	—	ns	V <sub>CC</sub> =2.0 V, Load=15 pF

**Table 5. Receiver Parameters, T<sub>A</sub>=25°C**

Parameter	Sym.	Min.	Typ.	Max.	Unit	Conditions
Supported IrDA Data Rate	—	2.4	—	115.2	Kb/s	1.63 μs with E <sub>e</sub> =4.0 μW/cm <sup>2</sup> to 500 mW/cm <sup>2</sup>
Receive 1/2 Angle	—	15	20	30	degrees	IrDA <i>Physical Layer</i> specification
Minimum Signal Detect Irradiance	E <sub>IHmin</sub>	—	2.0	4.0	μW/cm <sup>2</sup>	Bit error Rate=10 <sup>-8</sup> , 1.63 μs pulse
Maximum Signal Detect Irradiance	E <sub>Emax</sub>	—	500	—	mW/cm <sup>2</sup>	Bit error Rate=10 <sup>-8</sup> , 1.63 μs pulse
Maximum Signal Irradiance No detect	—	—	—	0.3	μW/cm <sup>2</sup>	< 0.1 pulse per second detect, 20 kHz— 200 kHz square wave <100 ns rise/fall
Maximum DC Ambient Irradiance 5.0 V	—	—	10	—	mW/cm <sup>2</sup>	V <sub>CC</sub> =5.0 V
Maximum DC Ambient Irradiance 2.4 V	—	—	2.5	—	mW/cm <sup>2</sup>	V <sub>CC</sub> =2.4 V
Transmit Receiver Latency ( <b>Note 2</b> )	t <sub>L</sub>	—	50	100	μs	0 to 3.0 mW/cm <sup>2</sup> DC ambient input
Powerup Receiver Latency	—	—	100	150	μs	0 to 2.5 mW/cm <sup>2</sup> DC ambient input
Output Pulse Width at RxD	—	1.0	1.6	3.0	μs	1.63μs, 4μW/cm <sup>2</sup> to 500mW/cm <sup>2</sup> input
Small Ripple Power Supply Rejection ( <b>Note 3</b> )	—	—	100	—	mV/μs	100 mV <sub>p-p</sub> triangle wave on V <sub>CC</sub>
Large Ripple Power Supply Rejection ( <b>Note 3</b> )	—	—	200	—	mV/ms	1.0 V <sub>p-p</sub> triangle wave on V <sub>CC</sub>

**Table 6. Transmitter Output**

Parameter	Sym.	Min.	Typ.	Max.	Unit	Conditions
Maximum Data Rate	—	—	—	115.2	Kb/s	TxD pulse width=1.63 $\mu$ s
TxD Radiant Intensity	—	40	70	230	mW/Sr	5.1 $\Omega$ LED resistor, 5.0 V LED supply
TxD 1/2 Angle	—	15	20	30	degrees	IrDA <i>Physical Layer</i> specification 1.3
TxD Peak Wavelength	—	850	870	900	nm	—
Radiant 50% Pulse Width, TX High/Low	—	1.51	1.61	1.71	$\mu$ s	TxD=1.63 $\mu$ s, I <sub>LED</sub> =330 mA, V <sub>CC</sub> =5.0 V
Optical Rise/Fall Time, TX High or Low	—	—	30	600	ns	TxD=1.63 $\mu$ s, V <sub>CC</sub> =5.0 V
I <sub>LED</sub> Limit, TX Standard	—	250	350	400	mA	TxD=V <sub>CC</sub> , LED anode=3.3 V, V <sub>CC</sub> =5.0 V

**Note 1:**

For Shut Down (SD) current to fall below 1.0  $\mu$ A requires driving Shut Down (SD) to within 0.5 V of V<sub>CC</sub> to ensure cut-off of the PMOS transistor of the input CMOS totem pole. In most applications this is not an issue if Shut Down (SD) is driven from a CMOS driver supplied from the same voltage supply.

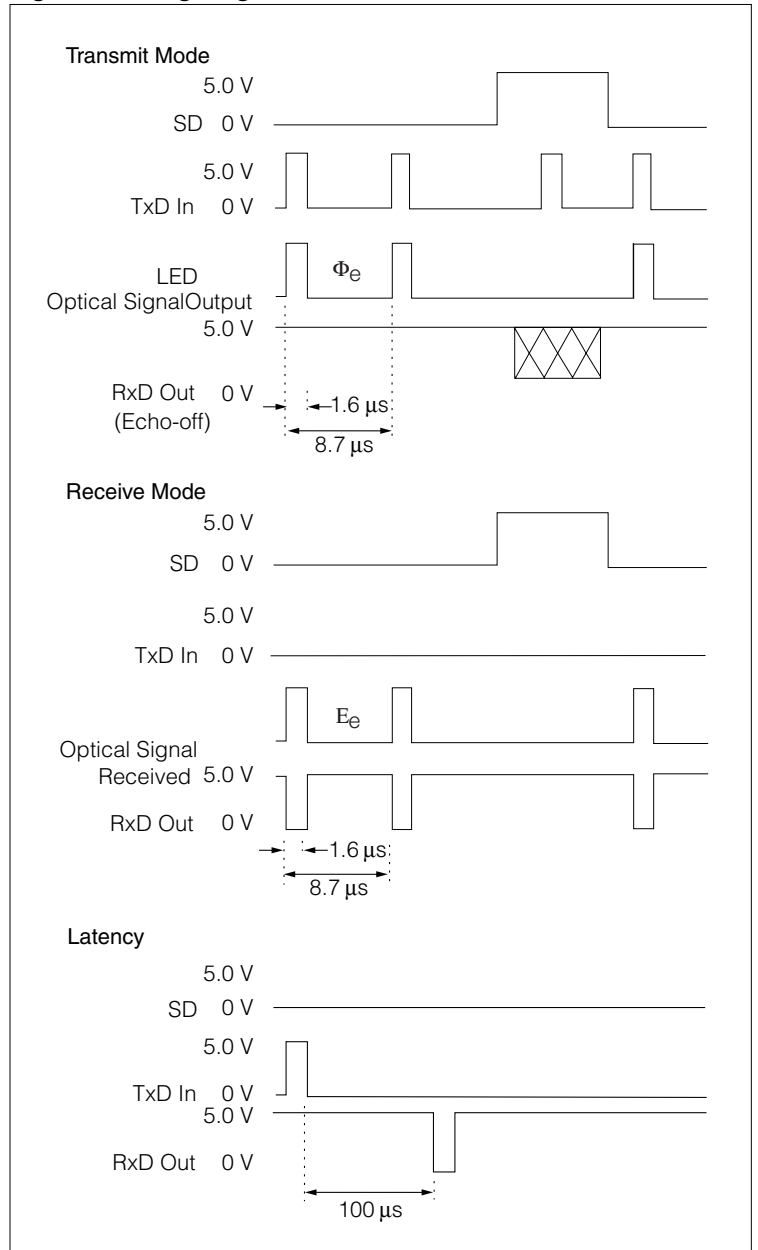
**Note 2:**

“Near-far Receiver Latency” is the time required for the AGC and ambient correction circuits to return to maximum sensitivity (Far) following reception of a maximum (Near) signal or a change in ambient. “Transmit Receiver Latency” is commonly called “Receiver Latency” or “Transmitter Turn-around Time”.

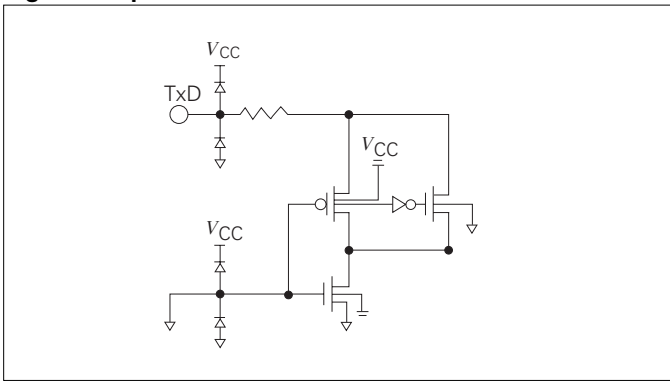
**Note 3:**

The receiver V<sub>CC</sub> power supply rejection is significantly better for small ripple of less than 100 mV<sub>p-p</sub> than for larger values. For ripple of more than 100 mV<sub>p-p</sub>, internal circuits can maintain operating headroom provided that the slew rate is significantly slower. Typically, these specifications allow operation without an external filter from either switching supplies with less than 50 mV<sub>p-p</sub> ripple or unregulated supplies with less than 1.0 V<sub>p-p</sub> of 120 Hz ripple.

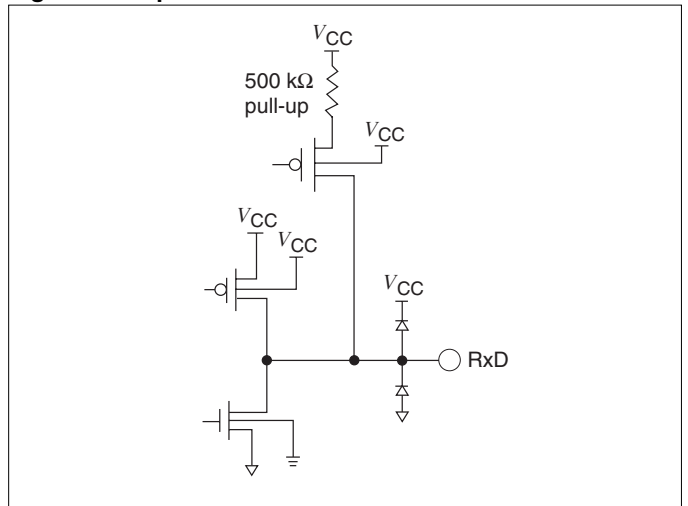
**Figure 2. Timing Diagrams**



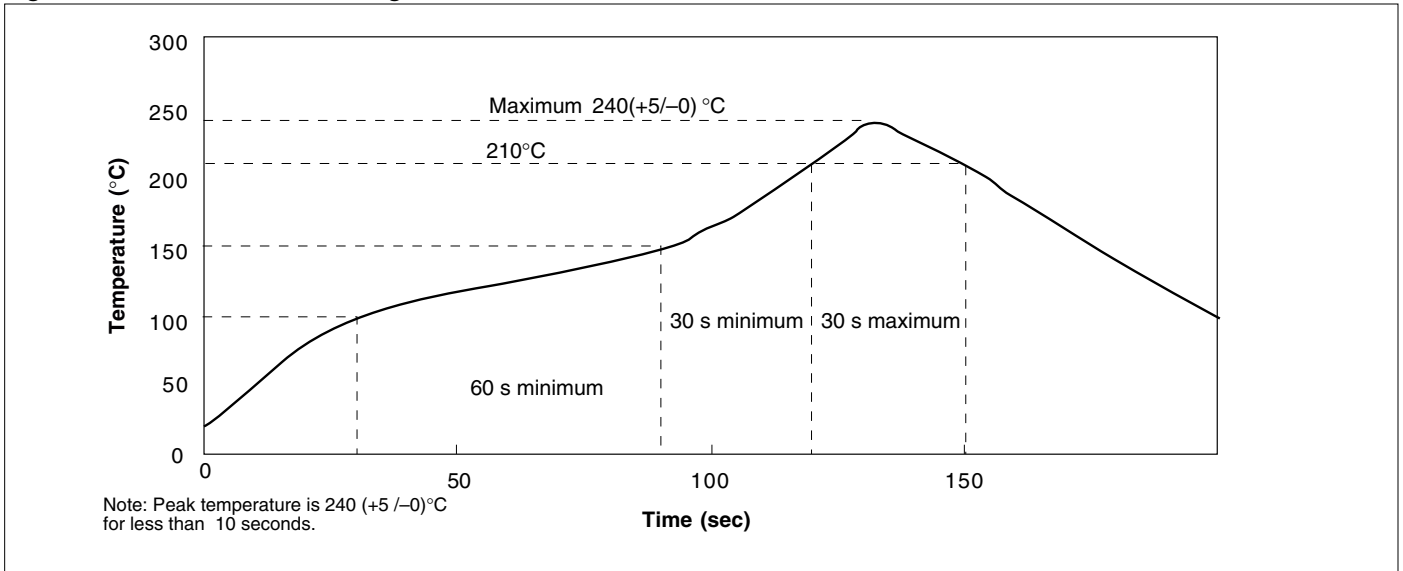
**Figure 3. Input Schematics**



**Figure 4. Output Schematics**

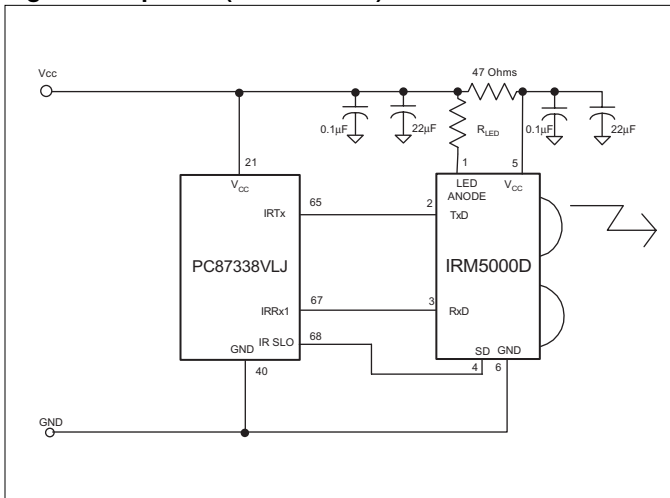


**Figure 5. Infrared Reflow Soldering Profile**

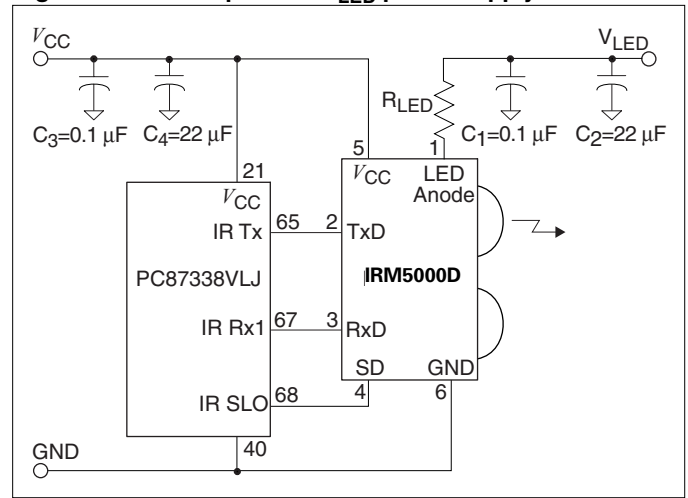


**Interface Diagrams**

**Figure 6. Super I/O (PC87338VLJ) to IRM5000D**



**Figure 7. With independent V<sub>LED</sub> power supply**



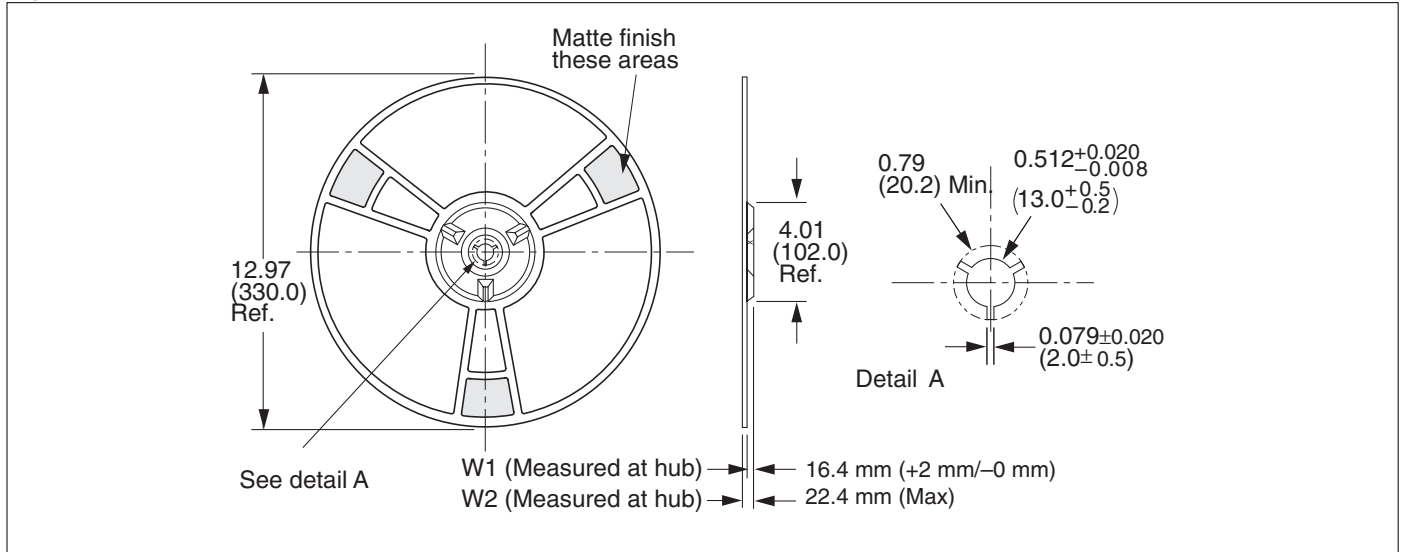
**Table 7. External Component**

Parameter	Values						Unit
V <sub>LED</sub> power supply	2.7	3.0	3.3	4.0	4.5	5.0	V
Resistor (R <sub>LED</sub> )	0	0	0	2.2	5.6	6.8	Ω

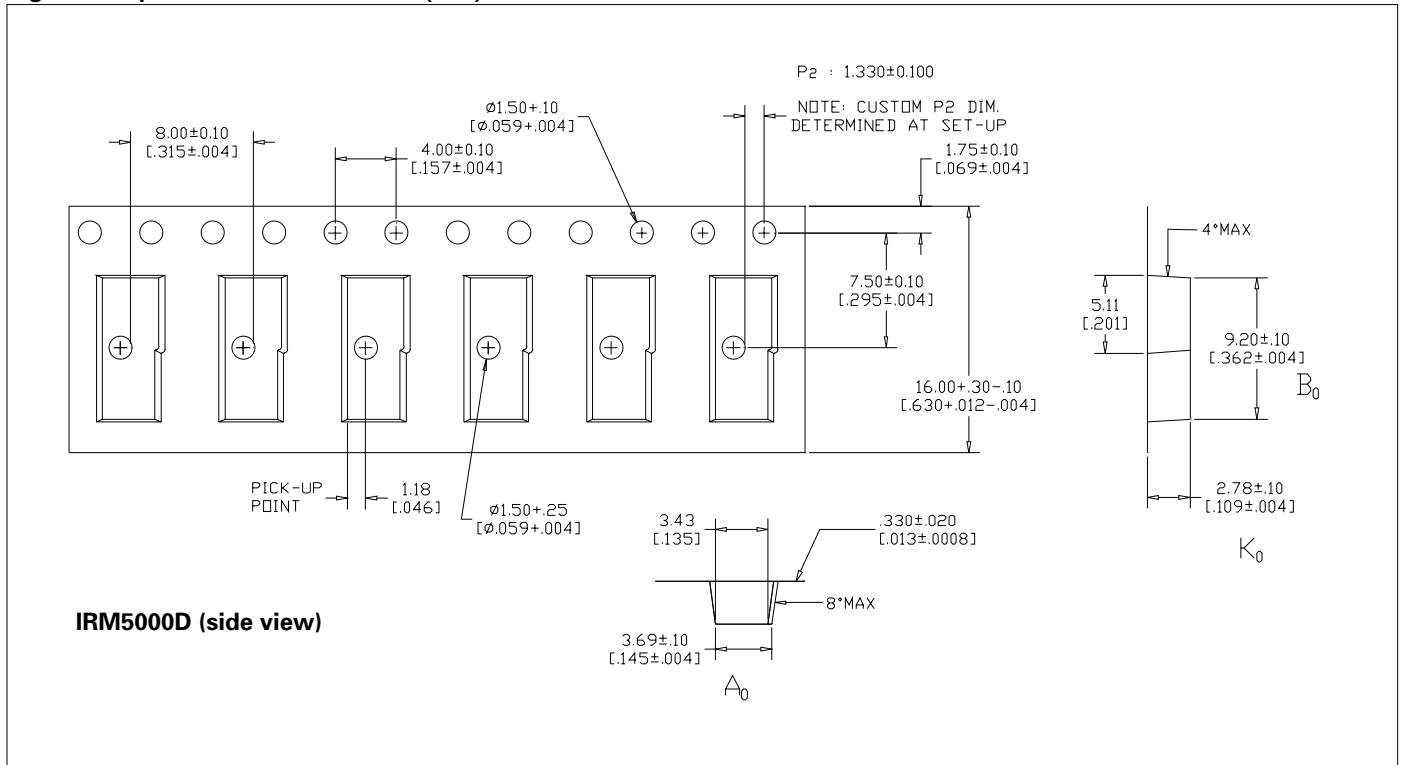
**Table 8. Ordering Information**

Part Number	Description	PCB Mounting Orientation
IRM5000D	Integrated Transceiver—Side View	Packaged in Component Carrier Reel (1000/reel) for Side View Mounting on PCB
Tape Leader and Trailer is 400 mm minimum.		

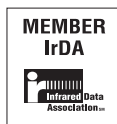
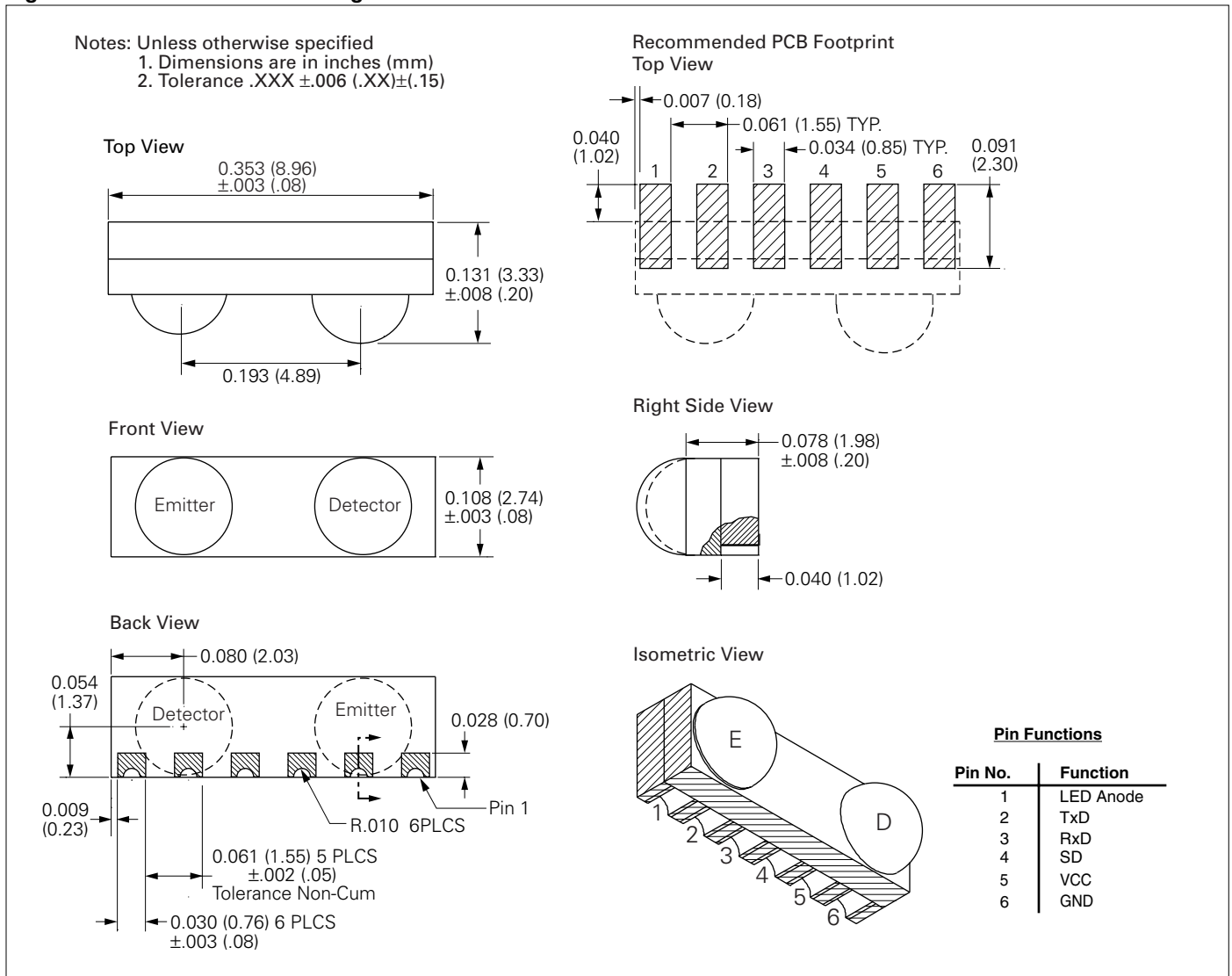
**Figure 8. Reel Dimensions in Inches (mm)**



**Figure 9. Tape dimensions in inches (mm)**



**Figure 10. IRM5000D Detail Drawings**



© Vishay Infrared Components, Inc.

Printed in the United States of America.

All rights reserved.

The information provided is believed to be accurate and reliable.

Vishay reserves the right to make changes to the product described without notice. No liability is assumed as a result of its use nor for any infringement of the rights of others.

This document may contain preliminary information and is subject to change by Vishay without notice. Some of the parametric data expressed in this preliminary data sheet is considered to be functional by design. Vishay assumes no responsibility or liability for any use of the information contained herein. Nothing in this document shall operate as an express or implied license or indemnity under the intellectual property rights of Vishay or third parties.

The products described in this document are not intended for use in implantation or other direct life support applications where malfunction may result in the direct physical harm or injury to persons.

**NO WARRANTIES OF ANY KIND, INCLUDING, BUT NOT LIMITED TO, THE IMPLIED WARRANTIES OF MERCHANTABILITY OF FITNESS FOR A PARTICULAR PURPOSE, ARE OFFERED IN THIS DOCUMENT.**