

## GROUND/MOBILE

### CA-1079 SERIES LOW POWER VHF/UHF MULTICHANNEL ANTENNAS

Model CA-1079 is a low-power, general purpose communications antenna for use when VHF (115 – 162 MHz) and UHF (225 – 400 MHz) channels are to be used simultaneously. Various combinations of VHF and UHF radiators, enclosed in a single housing, provide independent, broadband, vertically polarized coverage. Use of this antenna in multichannel communications systems can substantially reduce the total space requirements and significantly improve the overall system performance.

The antenna radome has an integral base mounting flange with coaxial Type N input connectors on the underside for each channel. An optional base adaptor is available which elevates the base above the mounting surface sufficiently to permit cable connections to be made from the side. The antenna can also be supplied without a base plate for side mounting to a vertical pipe.

CA-1079 is intended to provide interference-free ground-to-air and ground-to-ground communications. Because of its inherent broadband characteristics, the unit is relatively insensitive to its mounting location and the surrounding environment. It has been designed to meet MIL-STD-167, Type I Vibration; and the Service Conditions of MIL-STD-810B (operating temperature -40° to +55°C).



## SPECIFICATIONS

ELECTRICAL	Frequency Range	VHF Inputs	115 – 162 MHz
		UHF Inputs	225 – 400 MHz
	VSWR		2.0:1 max
	Gain		2.0 dB
	Azimuth Coverage		Omnidirectional within $\pm 1$ dB
	Zenith Coverage		Figure-eight dipole pattern with maximum at horizon
	Polarization		Vertical
	Half-Power Beam Width		80° nominal
	RF Isolation Between Channels		25 dB nominal
	Power Handling Capability		50 W average, each channel
Input Connector		Type N Female receptacle, each channel	

MECHANICAL

Mechanical specification on back of page

Specifications subject to change without notice.

1000-220R1 (M110)

# GROUND/MOBILE

## CA-1079 SERIES LOW POWER VHF/UHF MULTICHANNEL ANTENNAS

### OUTLINE DIMENSIONS

Inches

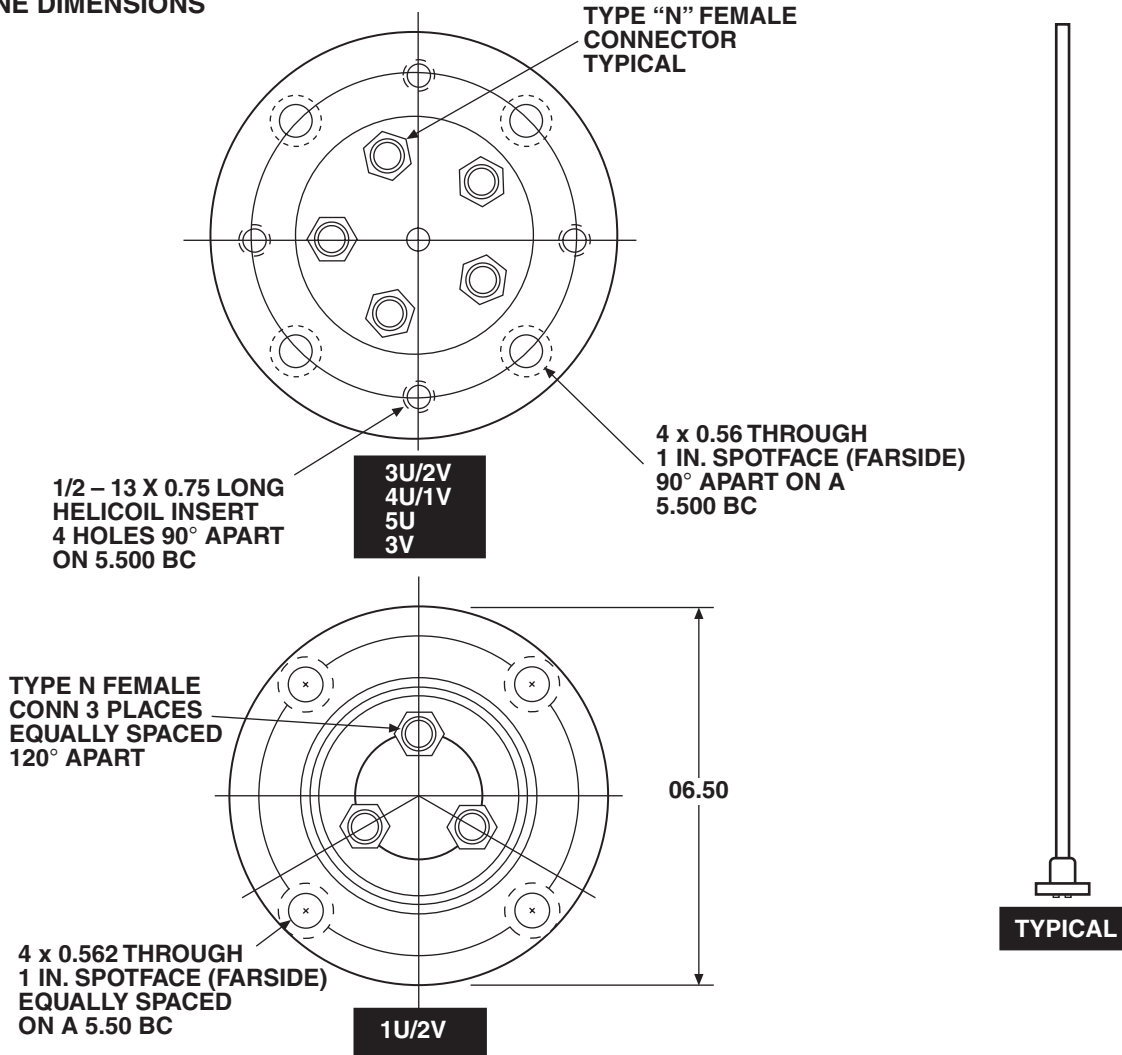


Table 1

Type	VHF Inputs	UHF Inputs	Height Inches (Nominal)	Diameter Radome	Base Inches	Weight (lbs)	Finish
CA-1079 1U/2V	2	1	132	3.5	6.5	25	White or Gray Epoxy
CA-1079 4U/1V	1	4	168	3.5	6.5	40	Green Epoxy
CA-1079 3U/2V	2	3	174	3.5	6.5	40	Green Epoxy
CA-1079 5U	-	5	174	3.5	6.5	40	Green Epoxy
CA-1079 3V	3	-	174	3.5	6.5	40	Green Epoxy

Various combinations of radiators not specifically detailed here are available. Please consult the factory for your specific requirement.