

Radius Power

RP210 - CHASSIS MOUNT FILTER

Features

- Quick Disconnect terminals
- Currents to 20A
- International Safety Approvals
- Selectable Y-cap to vary leakage
- Dual Stage, Compact Design

Specifications

Operating Freq.: DC - 60Hz
Operating Voltage: 250V +10%
Ambient Temperature: 40°C
Inrush Rating: 20x1(10ms), 1.5x (1min)
Climatic Category : 25/100/21
Hipot Rating: 2200VDC (P/N - E)

Overall/Mounting Dimensions

Housing (LxWxH): 3.70 x 2.0 x 1.77 (in)
 94 x 51 x 45 (mm)
Mounting hole, center-center: 4.05(in) 103(mm)
Mounting hole size: .2 x .25(in) 5x6.35(mm)

Insertion Loss (Typical)

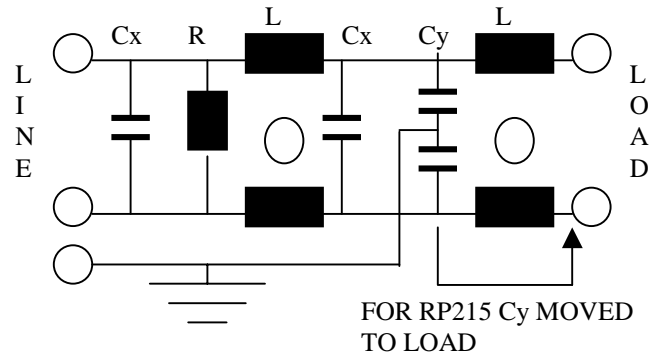
FREQ(MHZ)	.150	.500	1.0	10	30
CM(dB) - 3A	70	70	70	60	50
- 20A	22	45	50	60	60
DM(dB) - 3A	50	70	70	70	60
- 20A	30	60	60	60	60

Part Number / Ordering

SERIES	CURRENT	Y-CAP(nF)
RP210	-X	-Y
RP215	3	0
	6	.22
	10	.47
	16	1
	20	2.2
		4.7
		10



Schematic



Component Values

I(A)	3	6	10	16	20
L(mH)	10	7	3.5	2	1
Cx(uF)	1	1	1	1	1
Cy(nF)	SEE TABLE BELOW				
R(Mohm)	.22	.22	.22	.22	.22

Total Leakage Current (uA)

Y-CAP(nF)	230V/50HZ	120V/60HZ
0	0	0
.22	32	20
.47	68	42
1	14	90
2.2	320	200
4.7	680	420
10	1445	905

FOR ENGINEERING ASSISTANCE CALL (714)289-0055 x250

941E North Elm Street * Orange, CA 92867 * info@radiuspower.com
 (714)289-0055 PH * (714)289-2149 FAX