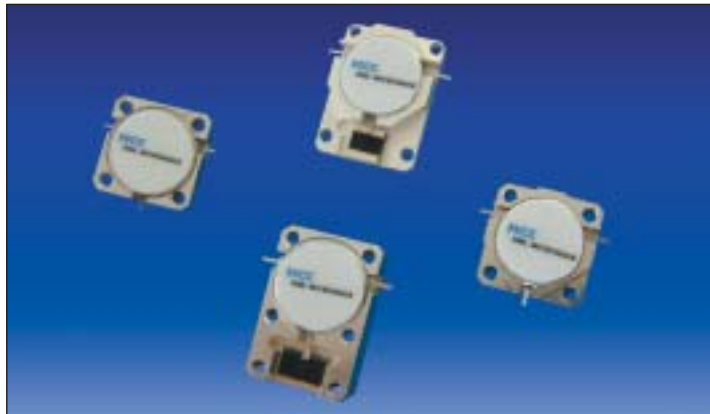


DROP IN ISOLATORS AND CIRCULATORS

GENERAL INFORMATION

MCE DML Microwave Ltd has taken advantage of its many years of experience, and are pleased to present their new custom design platform range of 3/4" Drop In Isolators and Circulators.

Accommodating the major cellular applications, these devices offer a *guaranteed* specification. This enables MCE DML to produce a consistently superior product with excellent unit to unit repeatability and consistency.



ADVANTAGES

- Superior performance over industry standards
- High temperature stability
- Superior level of quality
- Cost effective solutions
- Integration with other DML products available
- Precision test fixturing available
- Full qualification facilities on premises
- Test results supplied with samples

ISOLATORS

Model No. <small>(with reduced bore & height. See Fig. 3.)</small>	Model No. <small>(8mm Height. See Fig. 4.)</small>	Frequency Range (MHz)
DS18040	DS18043	1805 - 1880
DS19041	DS19044	1930 - 1990
DS21042	DS21045	2080 - 2200

CIRCULATORS

Model No. <small>(with reduced bore, 6.35mm height. See Fig. 1.)</small>	Model No. <small>(6.35mm Height. See Fig. 2.)</small>	Frequency Range (MHz)
DC18025	DC18014	1805 - 1880
DC19026	DC19015	1930 - 1990
DC21027	DC22016	2100 - 2300

ISOLATOR SPECIFICATIONS

Frequency MHz	1805-1880	1930-1990	2080-2200	1805-1880	1930-1990	2090-2190
Model No.	DS18040	DS19041	DS21042	DS18043	DS19044	DS21045
Isolation	23 dB min	23 dB min	23 dB min	23 dB min	23 dB min	23 dB min
Insertion Loss	0.3 dB max	0.3 dB max	0.3 dB max	0.25 dB max	0.25 dB max	0.25 dB max
Return Loss	23 dB min	23 dB min	23 dB min	23 dB min	23 dB min	23 dB min
Power fwd	100W	100W	100W	100W	100W	100W
Power rev	60W	60W	60W	60W	60W	60W
IM3 (2x60x Fwd CW)	-65 dBc max	-65 dBc max	-65 dBc max	-65 dBc max	-65 dBc max	-65 dBc max
Operating Temperature	-20°C to +85°C	-20°C to +85°C	-20°C to +85°C	-20°C to +85°C	-20°C to +85°C	-20°C to +85°C
Extended Temp without failure	-20°C to +100°C	-20°C to +100°C	-20°C to +100°C	-20°C to +100°C	-20°C to +100°C	-20°C to +100°C

* WITH ADEQUATE HEATSINKING

CIRCULATOR SPECIFICATIONS

Frequency MHz	1805-1880	1930-1990	2100-2300	1805-1880	1930-1990	2100-2300
Model No.	DC18025	DC19026	DC21027	DC18014	DC19015	DC22016
Isolation	22 dB min	22 dB min	22 dB min	24 dB min	24 dB min	24 dB min
Insertion Loss	0.4 dB max (0.3 typ)	0.4 dB max (0.3 typ)	0.4 dB max (0.3 typ)	0.3 dB max	0.3 dB max	0.3 dB max
Return Loss	22 dB min	22 dB min	22 dB min	22 dB min	22 dB min	22 dB min
Power fwd / rev	100W	100W	100W	100W	100W	100W
IM3 (2x60x Fwd CW)	-65 dBc max	-65 dBc max	-65 dBc max	-65 dBc max	-65 dBc max	-65 dBc max
Operating Temperature	-10°C to +85°C	-10°C to +85°C	-10°C to +85°C	-10°C to +85°C	-10°C to +85°C	-10°C to +85°C
Extended Temp without failure	-40°C to +120°C	-40°C to +120°C	-40°C to +120°C	-40°C to +120°C	-40°C to +120°C	-40°C to +120°C

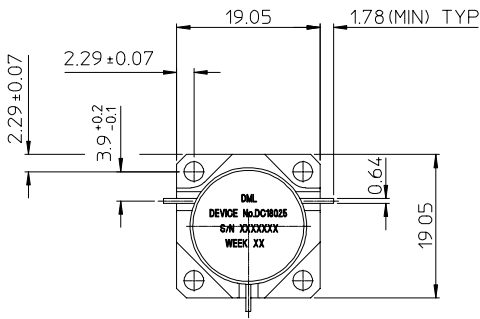


Fig. 1.

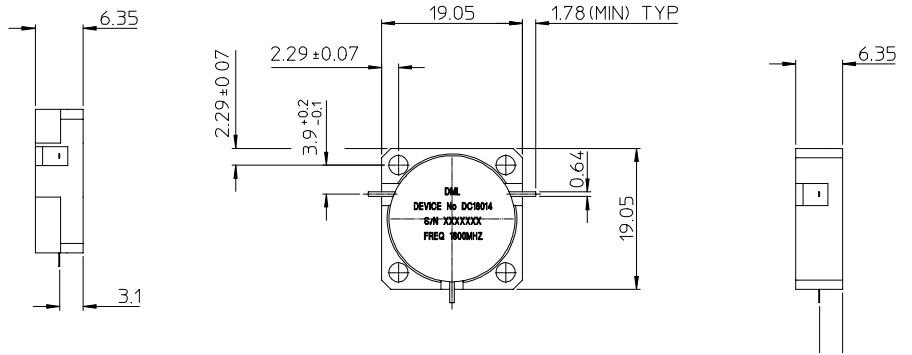


Fig. 2.

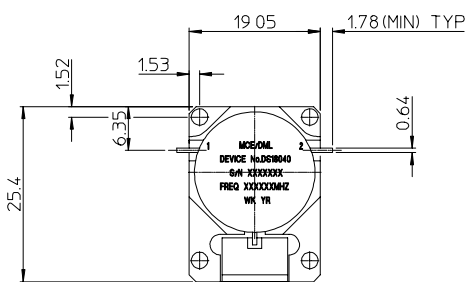


Fig. 3.

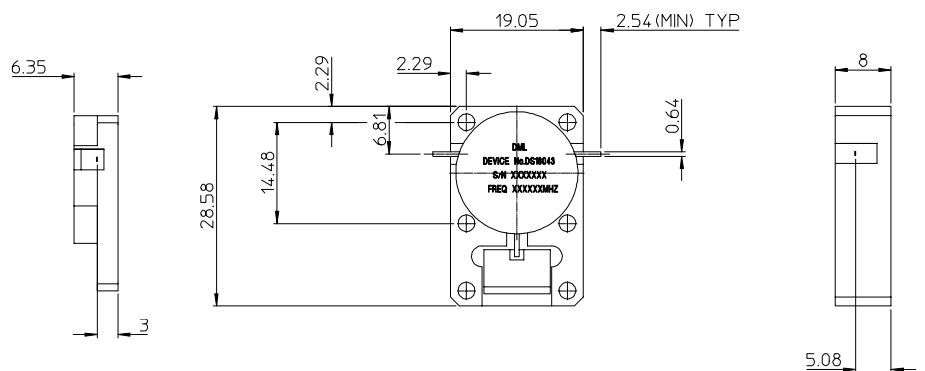


Fig. 4.