

Ceramic Monoblock Bandpass Filter



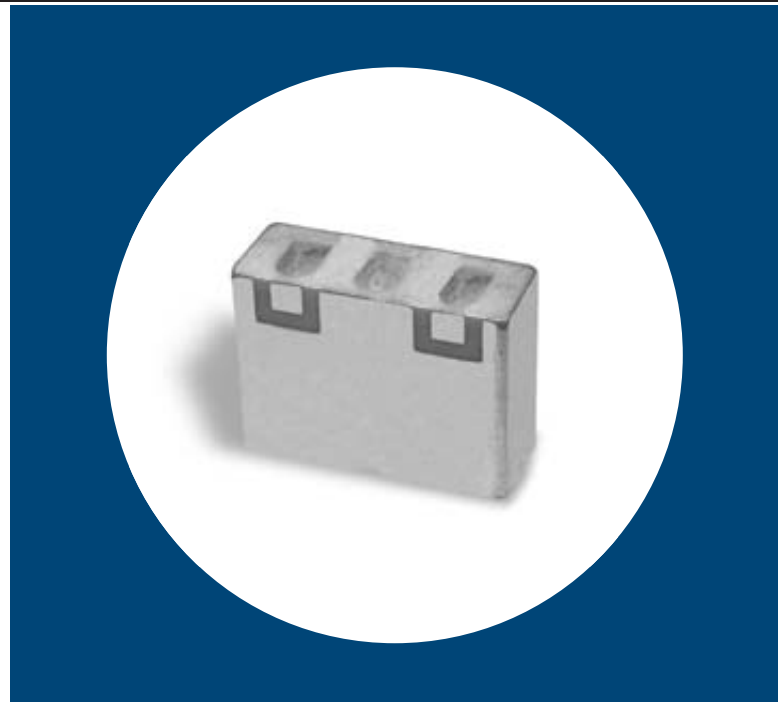
Model KFF6449A Technical Data

Features:

- Small Size
- High Performance
- SMD

Description and Applications:

This monoblock filter is primarily designed for Inmarsat applications at 1542 MHz.



Electrical Specifications

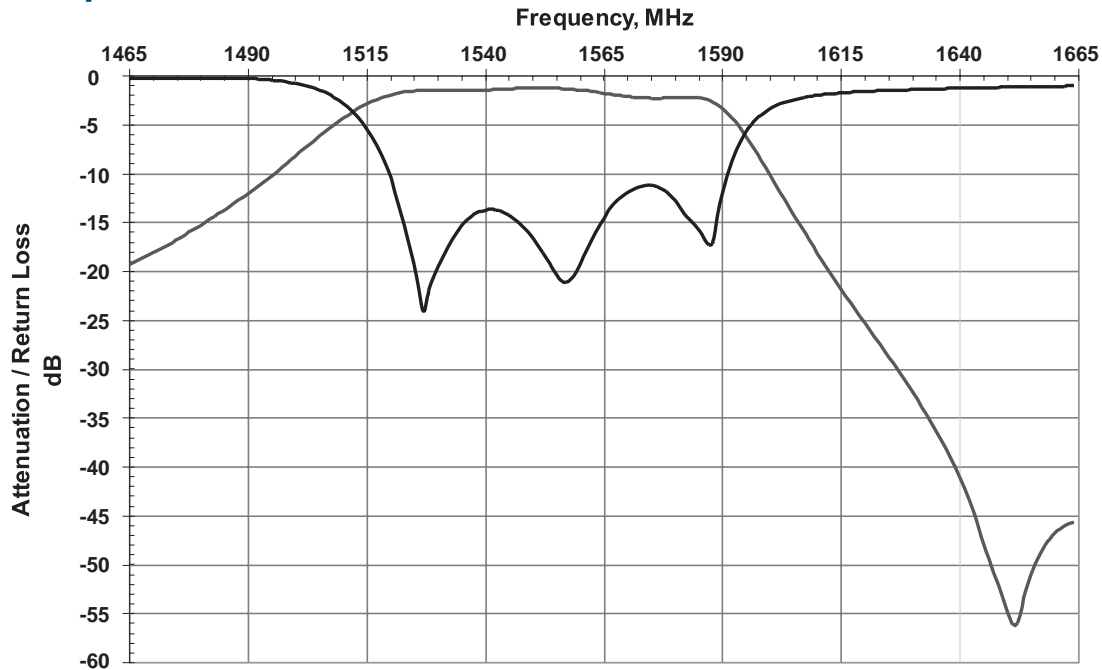
Parameters	Frequency	Specifications @ 25° C
Insertion Loss	1525 MHz to 1559 MHz	2.2 dB max.
Forward Return Loss		10.0 dB min.
Attenuation	1475 MHz	14.5 dB min.
Attenuation	1626 MHz	24.5 dB min.
Attenuation	1650 MHz	32.5 dB min.
Attenuation	1655 MHz	32.5 dB min.
Attenuation	1661 MHz	32.5 dB min.
Power Rating		1W
Impedance		50Ω

NOTE: Supplier shall test each filter to the critical electrical specifications listed above or better. Any subsequent audits may deviate due to measurement repeatability among different test systems. Such deviations shall not exceed the following limits:

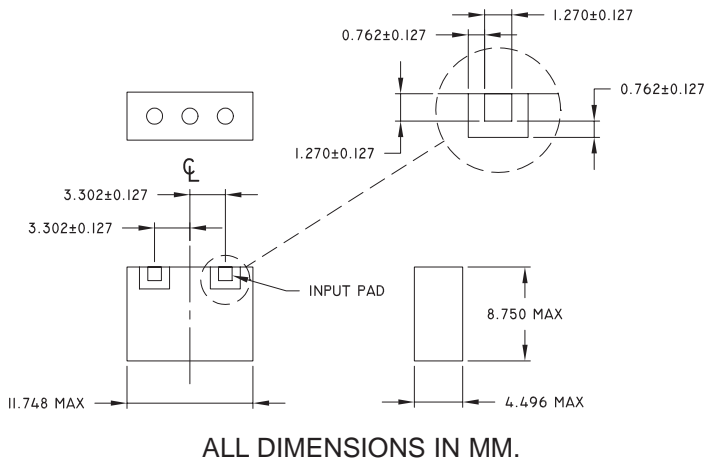
Specification	Typical Allowance
Insertion Loss	0.1dB
Return Loss	1.0dB
Stopbands	1.0dB

Rev. 0

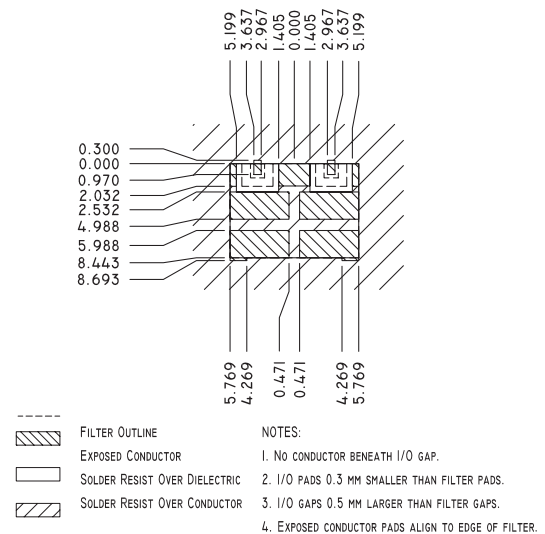
Typical Response Curve



Mechanical Dimensions

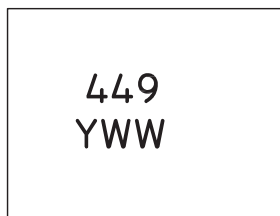


PC Board Layout

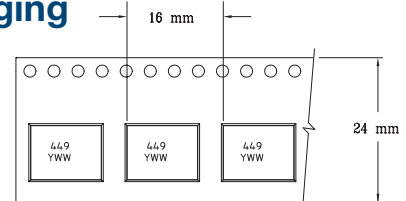


Part Marking

Y = LAST DIGIT OF YEAR
 WW = SEQUENTIAL WEEK NUMBER



Packaging



THIS PRODUCT IS SHIPPED IN REELED TAPES.
 800 PCS MAXIMUM PER REEL.
 6 LBS MAXIMUM WEIGHT PER REEL.

Contact Information:

CTS WIRELESS COMPONENTS, INC. / 171 Covington Drive / Bloomingdale, IL 60108
 PHONE: (800) 757-6686 / www.ctscorp.com

Document Control #6287100Y01 Rev. 0

Date of Origin 12/05/01

Date of Revision 12/05/01

THIS DATA SHEET IS NOT AN OFFER FOR SALE AND SHALL NOT OBLIGATE CTS TO SELL THE PRODUCTS DESCRIBED HEREIN OR ANY OTHER PRODUCTS. CTS MAY, IN ITS SOLE DISCRETION, MODIFY OR DISCONTINUE THE SALE OF ITS PRODUCTS AT ANY TIME WITHOUT NOTICE. CTS MAKES NO WARRANTY, INCLUDING WARRANTIES OF MERCHANTABILITY OR FITNESS FOR A PARTICULAR PURPOSE, WITH RESPECT TO THE PRODUCTS REFERENCED OR INFORMATION PROVIDED HEREIN.

CTS® is a registered trademark of CTS Corporation.