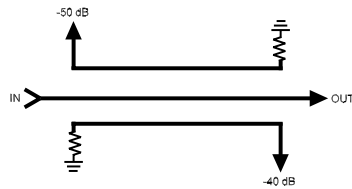


COUPLERS

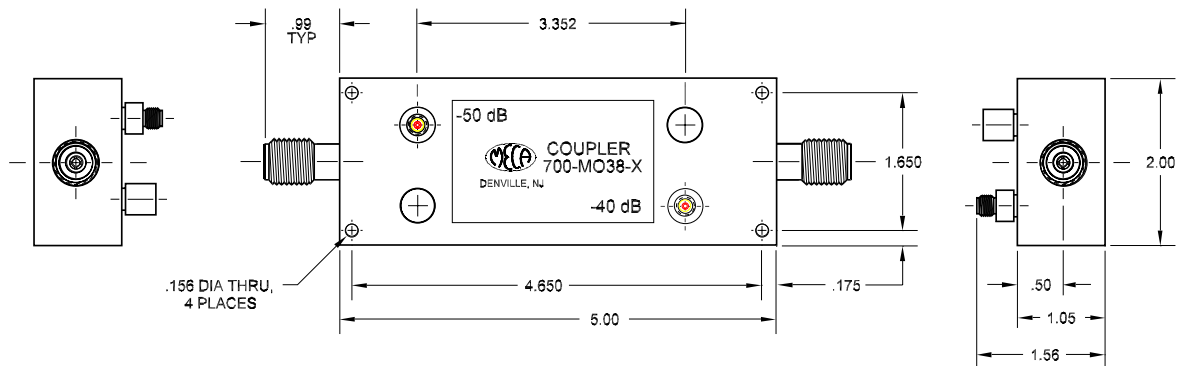


Cellular/PCS Band, Type N, 700-M038 Series



FEATURES

- High Power
- High Directivity
- Low Insertion Loss, VSWR



COUPLERS

ELECTRICAL SPECIFICATIONS

Impedance (Nom):	50 Ohms
VSWR (Max):	1.15:1
Coupling Value:	50.0 dB Incident 40.0 dB Reflected
Coupling Accuracy: (Includes all variations)	± 1.0 dB
Directivity (Min):	25 dB
Insertion Loss (Max): (Excludes coupled power)	0.1 dB
Power (Avg):	1500 Watts
Power (Peak):	3 kWatts

MECHANICAL SPECIFICATIONS

Connectors (Type N):	Brass, Nickel Plated
Connectors (SMA):	Stainless Steel, Passivated
Input:	N-Female
Output:	N-Female
Coupling:	SMA-Female
Pin, N-Female:	BeCu, Gold Plated
Pin, SMA-Female:	BeCu, Gold Plated
Housing:	Aluminum, Yellow Iridited
Insulators:	Teflon, Virgin Elec. Grade
Temperature:	-65°C to +150°C

Catalog No.	Frequency (GHz)
700-M038-1	0.800 - 0.900
700-M038-2	1.850 - 1.990

Note: Alternate connector styles, frequency range and coupling values are available. Please contact the factory for further information.

MECA Electronics, Inc. 459 East Main Street Denville, New Jersey 07834
 Phone: (973) 625 - 0661 • Fax: (973) 625 - 1258 • Internet: www.mecaelectronics.com